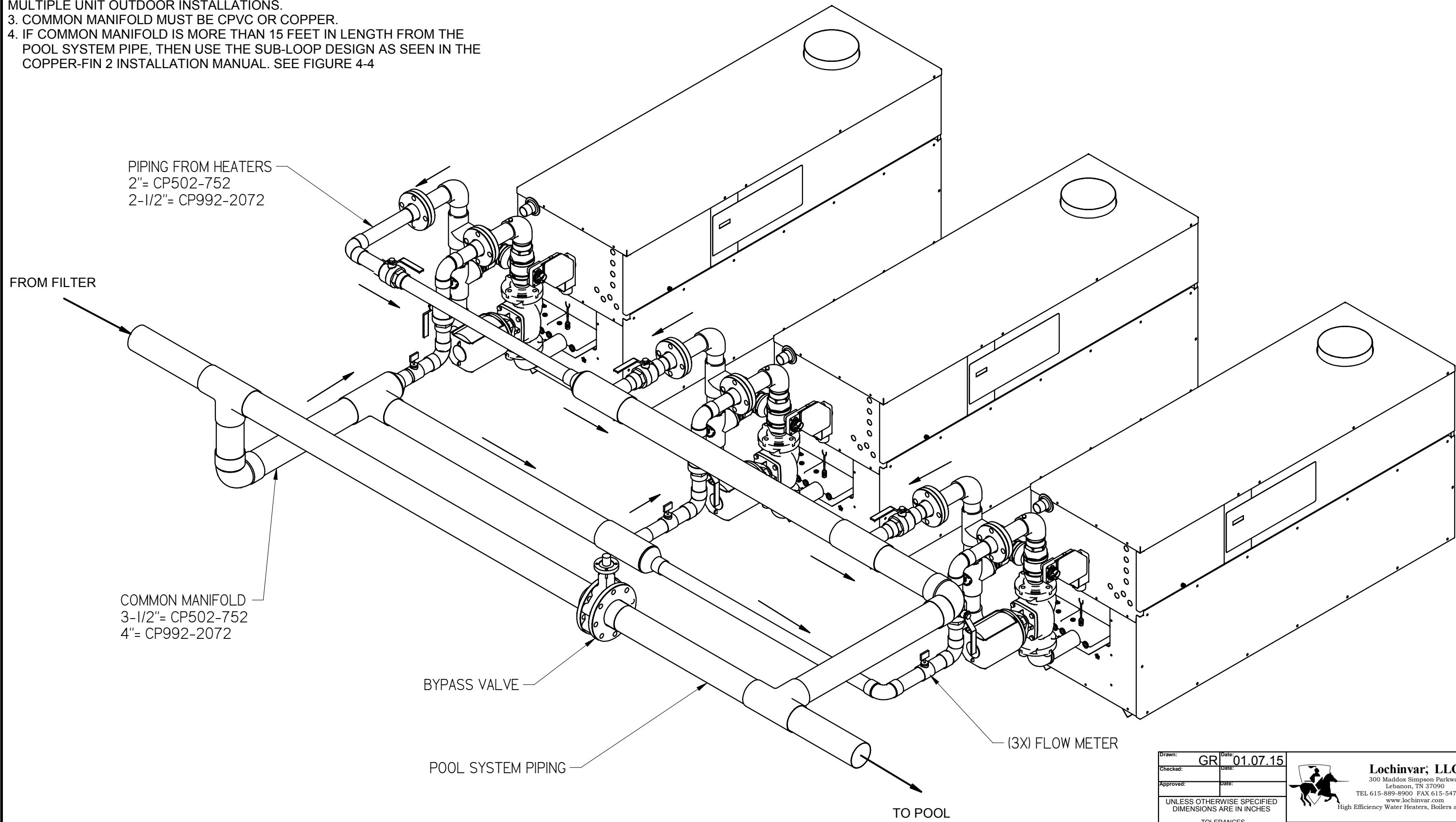


NOTES:


1. AN APPROPRIATE RELIEF VALVE MUST BE INSTALLED WHEN ISOLATED VALVES ARE SUPPLIED FOR EACH POOL HEATER
2. MAINTAIN A MINIMUM OF 48" BETWEEN THE VENT CAPS ON MULTIPLE UNIT OUTDOOR INSTALLATIONS.
3. COMMON MANIFOLD MUST BE CPVC OR COPPER.
4. IF COMMON MANIFOLD IS MORE THAN 15 FEET IN LENGTH FROM THE POOL SYSTEM PIPE, THEN USE THE SUB-LOOP DESIGN AS SEEN IN THE COPPER-FIN 2 INSTALLATION MANUAL. SEE FIGURE 4-4

REV	DESCRIPTION	ECO	DATE	APR
A	INITIAL RELEASE		-----	----



CONFIDENTIAL
 THIS DRAWING IS THE PROPERTY OF LOCHINVAR, LLC
 AND CAN NOT BE ALTERED, REPRODUCED OR DISTRIBUTED
 WITHOUT WRITTEN PERMISSION

DRAWINGS PROVIDED BY LOCHINVAR ARE FOR REFERENCE ONLY. THE DRAWINGS MAY NOT INCLUDE ALL OF THE COMPONENTS AND PIPING NECESSARY FOR EVERY APPLICATION. CONSULT THE PRODUCT SPECIFIC INSTALLATION AND OPERATION MANUAL FOR PROPER INSTRUCTION DETAILS BEFORE INSTALLING THIS PRODUCT. ALWAYS CONSULT LOCAL CODE REQUIREMENTS BEFORE INSTALLING THIS PRODUCT.

Drawn: GR	Date: 01.07.15	 Lochinvar, LLC 300 Maddox Simpson Parkway Lebanon, TN 37090 TEL 615-889-8900 FAX 615-547-1000 www.lochinvar.com High Efficiency Water Heaters, Boilers and Pool Heaters	Title		
Checked:	Date:		"CP" POOL HEATER		
Approved:	Date:		Dwg No.	REV	
UNLESS OTHERWISE SPECIFIED DIMENSIONS ARE IN INCHES		TOLERANCES DECIMAL ANGULAR .X ± .125 ± 1" .XX ± .060 .XXX ± .031 DEBURR AND BREAK ALL SHARP EDGES TO .05 MAX		SLS2009	A
Material:	SIZE	THIRD ANGLE PROJECTION	SHEET 1 OF 1		
	B	