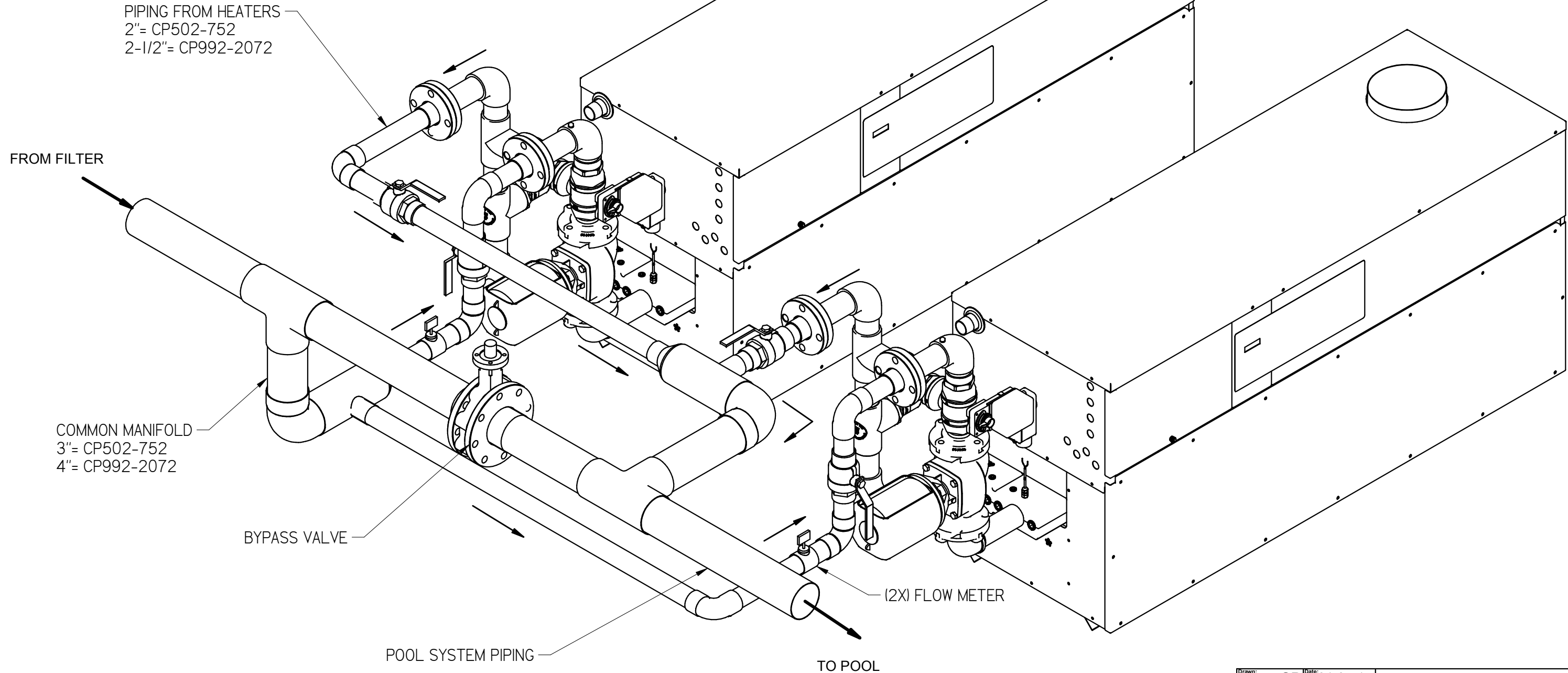



NOTES:

1. AN APPROPRIATE RELIEF VALVE MUST BE INSTALLED WHEN ISOLATED VALVES ARE SUPPLIED FOR EACH POOL HEATER.
2. MAINTAIN A MINIMUM OF 48" BETWEEN THE VENT CAPS ON MULTIPLE UNIT OUTDOOR INSTALLATIONS.
3. COMMON MANIFOLD MUST BE CPVC OR COPPER.
4. IF COMMON MANIFOLD IS MORE THAN 15 FEET IN LENGTH FROM THE POOL SYSTEM PIPE, THEN USE THE SUB-LOOP AS SEEN IN THE COPPER-FIN 2 INSTALLATION MANUAL. SEE FIGURE 4-4

| REV | DESCRIPTION     | ECO | DATE  | APR  |
|-----|-----------------|-----|-------|------|
| A   | INITIAL RELEASE |     | ----- | ---- |



|  |                |   |              |                  |
|--|----------------|---|--------------|------------------|
| Drawn: GR  | Date: 01.05.15 |  <b>Lochinvar, LLC</b><br>300 Maddox Simpson Parkway<br>Lebanon, TN 37090<br>TEL 615-889-8900 FAX 615-547-1000<br>www.lochinvar.com<br>High Efficiency Water Heaters, Boilers and Pool Heaters | Title        | "CP" POOL HEATER |
| Checked:   | Date:          |   | Dwg No.      | SLS2007          |
| Approved:  | Date:          |   | REV          | A                |
| UNLESS OTHERWISE SPECIFIED<br>DIMENSIONS ARE IN INCHES |                | TOLERANCES<br>DECIMAL ANGULAR<br>.X ± .125 ± 1"<br>.XX ± .060<br>.XXX ± .031<br>DEBURR AND BREAK ALL<br>SHARP EDGES TO .05 MAX  | SIZE         | B                |
| MATERIAL:  |                | THIRD ANGLE PROJECTION  | SHEET 1 OF 1 |                  |

DRAWINGS PROVIDED BY LOCHINVAR ARE FOR REFERENCE ONLY. THE DRAWINGS MAY NOT INCLUDE ALL OF THE COMPONENTS AND PIPING NECESSARY FOR EVERY APPLICATION. CONSULT THE PRODUCT SPECIFIC INSTALLATION AND OPERATION MANUAL FOR PROPER INSTRUCTION DETAILS BEFORE INSTALLING THIS PRODUCT. ALWAYS CONSULT LOCAL CODE REQUIREMENTS BEFORE INSTALLING THIS PRODUCT.

CONFIDENTIAL  
 THIS DRAWING IS THE PROPERTY OF LOCHINVAR, LLC  
 AND CAN NOT BE ALTERED, REPRODUCED OR DISTRIBUTED  
 WITHOUT WRITTEN PERMISSION