

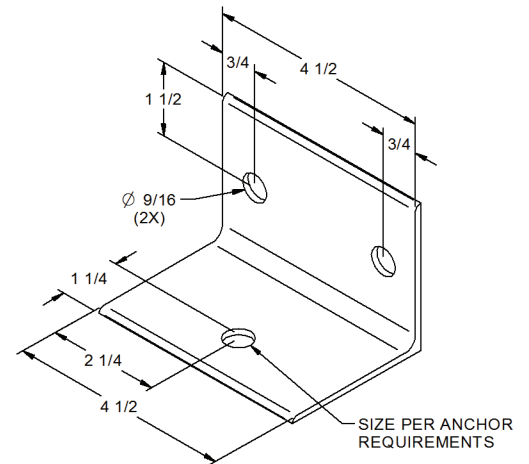
JOB NAME _____
 LOCATION _____
 ENGINEER _____
 WHOLESALER _____
 MECH. CONTRACTOR _____
 CREST MODEL NO. _____
 NOTES _____

CREST STANDARD SEISMIC KIT

FB751 - FB5000 KIT #100272739

Kit includes the following:

- (4) 1/4" thick ASTM Steel pre-drilled brackets
- (8) 1/2"x1-3/4" long A325 Structural Bolts
- (8) 1/2" A325 Structural Nuts
- (16) Flat Washers
- (8) Lock Washers



CREST ZERO CLEARANCE SEISMIC KIT

FB751 - FB1251 KIT #100272874

FB1501 - FB2001 KIT #100272875

FB2500 KIT #100272871

FB3000 - FB3500 KIT #100272872

FB4000 - FB5000 KIT #100272873

Kits includes the following:

- (2) Zero clearance Steel pre-drilled full length brackets
- (8) 1/2"x1-3/4" long A325 Structural Bolts
- (8) 1/2" A325 Structural Nuts
- (16) Flat Washers
- (8) Lock Washers

