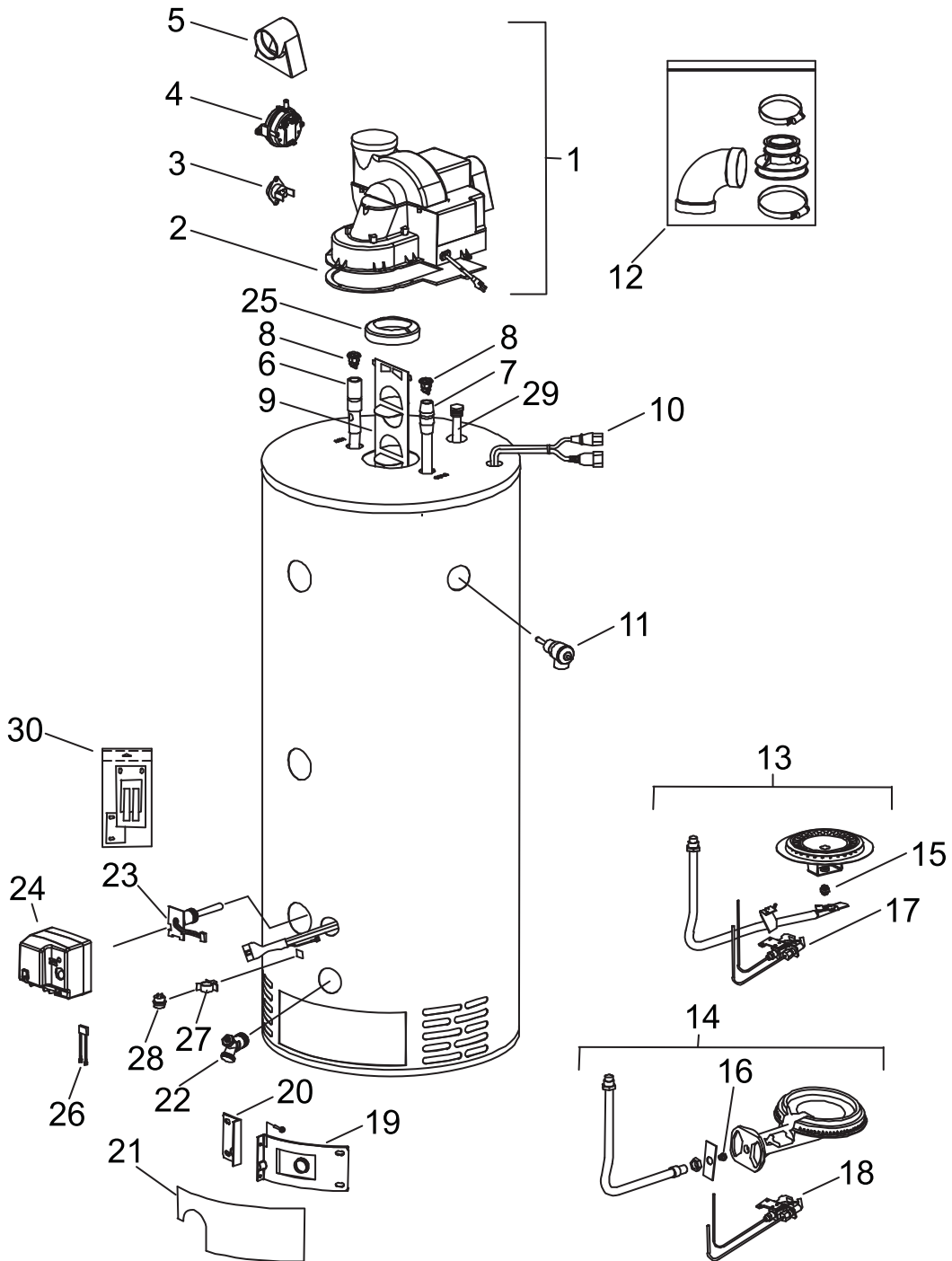




PARTS & SERVICE DEPARTMENT
 Nashville, Tennessee
 615-889-8900 • Fax: 615-882-2918
 parts_team@lochinvar.com
 www.Lochinvar.com

Replacement Parts List

**Residential Gas
 Double Duty Power Vented
 XP (N,L) Models**



ITEM	DESCRIPTION	MODEL NUMBERS / PART NUMBERS
1	Blower	PVT1032
2	Blower Gasket	GKT1027
3	Hi Limit	HLC1003
4	Pressure Switch	PRS1032
5	Air Mixing Inlet	MSC1006
6	Anode, Aluminum	WTR10011
7	Dip Tube	WTR1018
8	Heat Trap Insert	WTR1028
9	Flue Baffle	JKT1257
10	Safety Circuit Wire Harness	WRE1002
11	T&P Relief Valve	RLV1002
12	Exhaust Adaptor	DRH10000
13	Burner Assembly, NAT	BNR1231
14	Burner Assembly, LPG	BNR1302
15	Orifice, NAT	ORF1017
16	Orifice, LPG	ORF1032
17	Pilot Assembly, NAT	PLT1069
18	Pilot Assembly, LPG	PLT1070
19	Right Side Inner Door	JKT1083
20	Left Side Inner Door	JKT1019
21	Outer Door	JKT1029
22	Drain Valve	DRV1001
23	Gas Valve Sensor	TST1052
24	Gas Valve Nat	TST10001
24	Gas Valve LP	TST10003
25	Flue Reducer	DRH1002
26	Sensor Harness	WRE1004
27	Flammable Vapor Sensor Clip	MSC1020
28	Flammable Vapor Sensor	TST1027
29	Anode, Aluminum - Hex head	WTR1202
30	Inner Door Gasket Kit	GKT1014

PLEASE HAVE MODEL AND SERIAL NUMBER WHEN ORDERING PARTS