

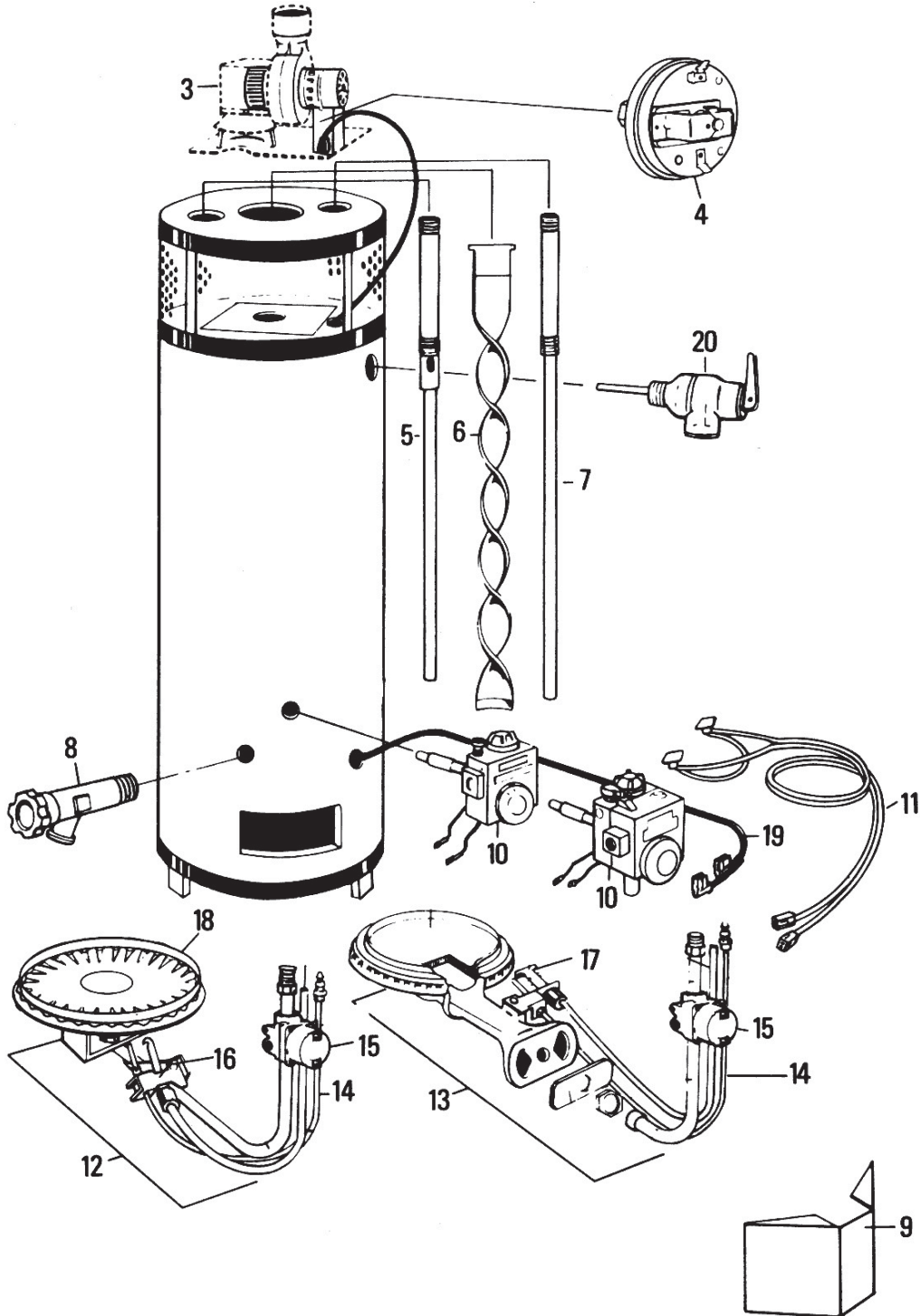


PARTS & SERVICE DEPARTMENT
Nashville, Tennessee
615-889-8900 • Fax: 615-882-2918
parts_team@lochinvar.com
www.Lochinvar.com

Replacement Parts List

Residential Gas Direct Vent Models* DVN & DVL 030, 040, 050 & 075

*From October 1987 (Serial # DK) to present



ITEM	DESCRIPTION	MODEL NUMBERS / PART NUMBERS			
		DV(N,L)030	DV(N,L)040	DV(N,L)050	DV(N,L)075
3	BLOWER ASSEMBLY (1*)	PVT1016	PVT1016	PVT1016	PVT1016
3	BLOWER ASSEMBLY (2*)	PVT1016	PVT1016	PVT1016	-----
4	PRESSURE SWITCH (1*)	-----	PRS1007	PRS1007	PRS1007
4	PRESSURE SWITCH (2*)	PRS1004	PRS1004	PRS1004	-----
5	ANODE, MAGNESIUM	WTR1059	WTR1059	WTR1059	WTR1059
6	FLUE BAFFLE	JKT1052	JKT1052	JKT1055	JKT1055
7	DIP TUBE	WTR1056	WTR1056	WTR1057	WTR1075
8	DRAIN VALVE	DRV1007	DRV1007	DRV1007	DRV1007
9	OUTER DOOR	JKT1049	JKT1049	JKT1049	JKT1049
10	THERMOSTAT, NATURAL (1*)	-----	TST1040	TST1040	TST1040
10	THERMOSTAT, NATURAL (2*)	TST3000	TST3000	TST3000	-----
10	THERMOSTAT, LP (1*)	-----	TST1062	TST1062	TST1062
10	THERMOSTAT, LP (2*)	TST1161	TST1161	TST1161	-----
11	HI LIMIT HARNESS (2*)	HLC10003	HLC10003	HLC10003	-----
12	BURNER ASSEMBLY, NAT. (1*)	-----	BNR1136	BNR1137	-----
13	BURNER ASSEMBLY, NAT. (2*)	BNR1116	BNR1117	BNR1118	-----
13	BURNER ASSEMBLY, LP (1*)	-----	BNR1138	BNR1139	BNR1135
13	BURNER ASSEMBLY, LP (2*)	BNR1132	BNR1133	BNR1134	-----
14	THERMOCOUPLE, NAT.	PLT1112	PLT1112	PLT1112	PLT1112
14	THERMOCOUPLE, LP.	PLT2005	PLT2005	PLT2005	PLT2005
15	SOLOINOID (1*)	RLY1023	RLY1023	RLY1023	RLY1023
15	SOLOINOID (2*)	RLY1022	RLY1022	RLY1022	RLY1022
16	PILOT ASSEMBLY, NAT.	PLT1017	PLT1017	PLT1017	PLT1017
17	PILOT ASSEMBLY, LP	PLT1018	PLT1018	PLT1018	PLT1018
18	BURNER ONLY, NAT. (2*)	BNR1024	BNR1024	BNR1024	-----
19	LINE CORD (1*)	-----	WRE1040	WRE1040	WRE1040
20	RELIEF VALVE, TEMP. & PRESS.	RLV1001	RLV1001	RLV1001	RLV1001
--	HI LIMIT ADAPTOR (2*)	HLC1018	HLC1018	HLC1018	-----
--	ECO LEAD WIRE (2*)	HLC1018	HLC1018	HLC1018	-----
--	HI LIMIT PURGE ECO (1*)	-----	HLC1010	HLC1010	HLC1010
--	MOTOR ONLY (2*)	MTR1010	MTR1010	MTR1010	-----

NOTE:

(1*) USED ON MODELS FROM JUNE 1991 (SERIAL #HF) TO PRESENT

(2*) USED ON MODELS FROM OCTOBER 1987 (SERIAL #DK) THRU MAY 1991 (SERIAL #HE)

PLEASE HAVE MODEL AND SERIAL NUMBER WHEN ORDERING PARTS