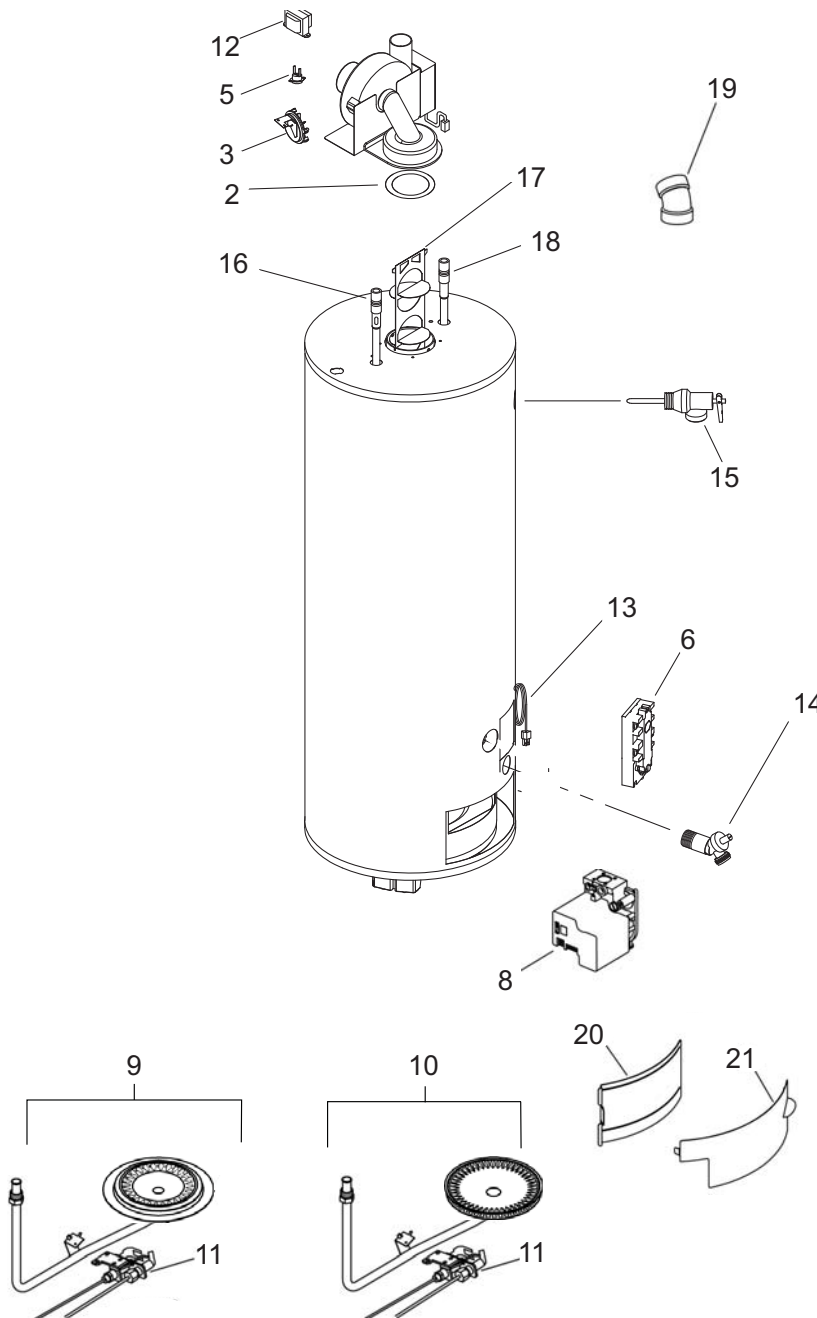




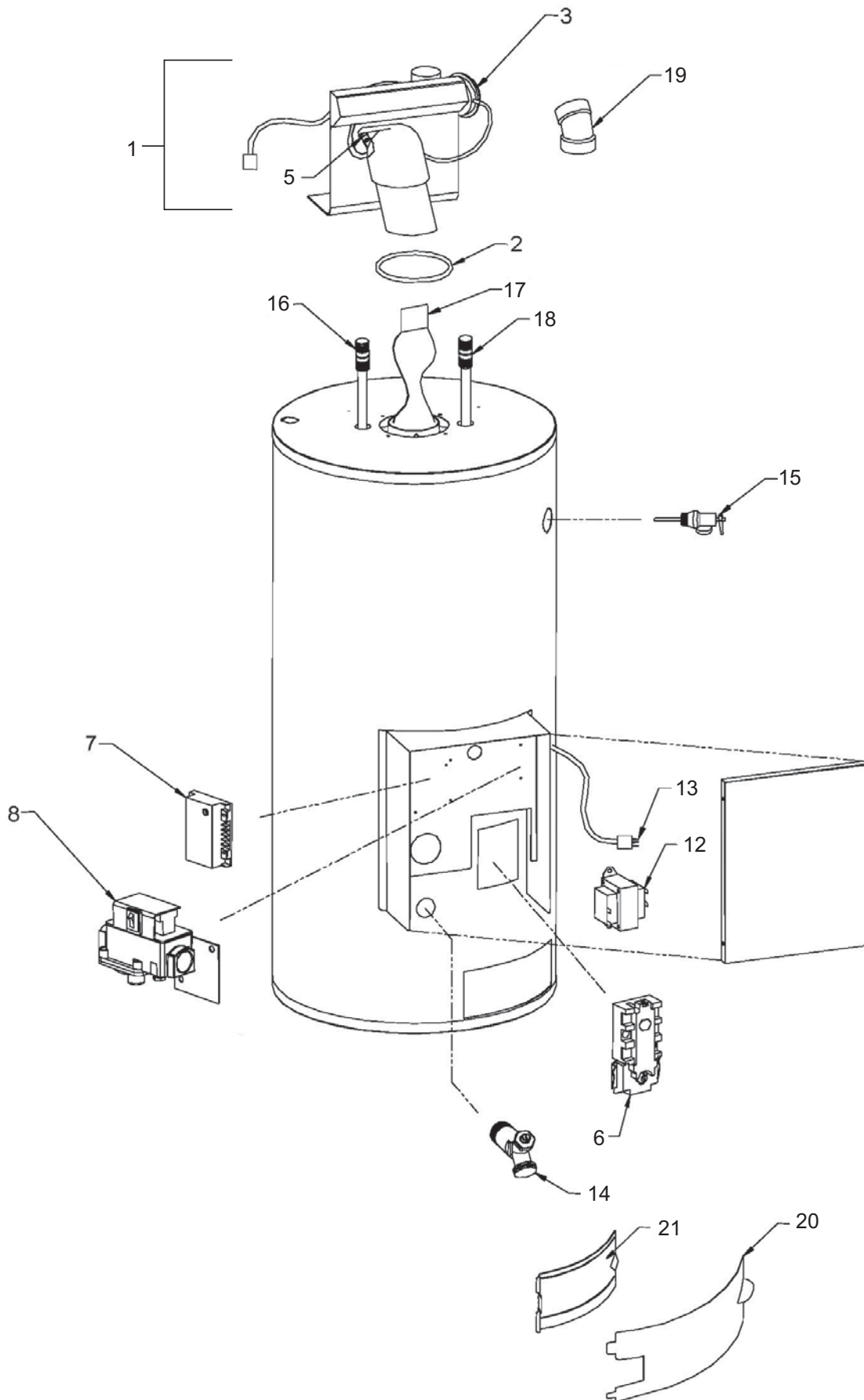
Replacement Parts List

PARTS & SERVICE DEPARTMENT
 Nashville, Tennessee
 615-889-8900 • Fax: 615-882-2918
 parts_team@lochinvar.com
 www.Lochinvar.com

**Residential Gas
 Power-Vented Models
 DVN & DVL 041 & 051**



**Beginning Serial TK
 (November 1999)**



**Prior to Serial TK
(November 1999)**

ITEM		DESCRIPTION	MODEL NUMBERS / PART NUMBERS
			DV(N,L)041 & 051
1		BLOWER (PRIOR TO SERIAL TK)	PVT10010
1		BLOWER (BEGINNING SERIAL TK)	PVT1014
2		BLOWER GASKET (PRIOR TO SERIAL TK)	GKT1030
2		BLOWER GASKET(BEGINNING SERIAL TK)	GKT1031
3		PRESSURE SWITCH (PRIOR TO SERIAL TK)	PRS1007
3		PRESSURE SWITCH (BEGINNING SERIAL TK)	PRS1011
4		BLOWER WIRE HARNESS (PRIOR TO SERIAL TK)	WRE1041
4		BLOWER WIRE HARNESS (BEGINNING SERIAL TK)	WRE1045
5		HI LIMIT (PRIOR TO SERIAL TK)	HLC1024
5		HI LIMIT (BEGINNING SERIAL TK)	HLC1026
6		THERMOSTAT	TST1121
7		IGNITION MODULE (PRIOR TO SERIAL TK ONLY)	RLY1131
8		GAS VALVE, NAT (PRIOR TO SERIAL TK)	VAL1160
8		GAS VALVE, NAT (BEGINNING SERIAL TK)	VAL1170
8		GAS VALVE, LPG (PRIOR TO SERIAL TK)	VAL1161
8		GAS VALVE, LPG (BEGINNING SERIAL TK)	VAL1171
9		BURNER ASSEMBLY, NAT (PRIOR TO SERIAL TK)	BNR1078
9		BURNER ASSEMBLY, NAT (BEGINNING SERIAL TK)	BNR1210
10		BURNER ASSEMBLY, LPG (PRIOR TO SERIAL TK)	BNR1077
10		BURNER ASSEMBLY, LPG (BEGINNING SERIAL TK)	BNR1220
11		PILOT ASSEMBLY, NAT (PRIOR TO SERIAL TK)	PLT1043
11		PILOT ASSEMBLY, NAT (BEGINNING SERIAL TK)	PLT1217
11		PILOT ASSEMBLY, LPG (PRIOR TO SERIAL TK)	PLT1044
11		PILOT ASSEMBLY, LPG (BEGINNING SERIAL TK)	PLT1210
12		TRANSFORMER (PRIOR TO SERIAL TK)	TRF1001
12		TRANSFORMER (BEGINNING SERIAL TK)	TRF1003
13		POWER CORD	WRE1040
14		DRAIN VALVE	DRV1007
15		T&P RELIEF VALVE	RLV1001
16		ANODE, MAGNESIUM	WTR1060
16		ANODE, ALUMINUM	WTR1044
17		FLUE BAFFLE	JKT1052
18		DIP TUBE	WTR1063
19		VENT TERMINATION, 2" WITH SCREEN	DRH1052
20		OUTER DOOR	JKT1049
21		INNER DOOR	JKT1109

PLEASE HAVE MODEL AND SERIAL NUMBER WHEN ORDERING PARTS

