



Lochinvar[®]
High Efficiency Water Heaters, Boilers and Pool Heaters

**COMMERCIAL ELECTRIC
STEAM BOILER
Submittal Sheet
EBS-Sub-04**

COMMERCIAL ELECTRIC STEAM BOILERS

JOB NAME _____

LOCATION _____

ENGINEER _____

WHOLESALE _____

MECH. CONTRACTOR _____

MODEL NO. _____

VOLTAGE/PHASE/KW _____

DESIGN PRESSURE _____

DESIGN TEMPERATURE _____

NOTES

Standard Features

- ASME National Board Registered Pressure Vessel
- Heavy Duty Steel Boiler Vessel Housing
- 3" Fiberglass Insulation
- ASME Pressure Relief Valve(s)
- Pressure Gauge with Gauge Cock
- Feedwater Stop & Check Valves
- Full-Port Bottom Blowdown Valve
- Combination Float-Type Level Control /
Low Water Cut-Off with Blowdown Valve
- Water Level Sight Gauge with Blowdown Valve
- Surface Blowoff Provision
- Low Water Cut-Off with Manual Reset & Pilot Light
- Adjustable High Limit with Automatic Reset
- Adjustable High Limit with Manual Reset
- Incoloy-Sheathed Elements
- Internal Branch Circuit Fusing
- Magnetic Contactors
- Main Supply Circuit Lugs
- 120 Volt Fused Control Transformer
- On/Off Switch with Pilot Light
- Preheat Switch with Pilot Light (above 240 kW)
- Key Locked Door
- Electric Control Panel
- Staged On/Off Pressure Switches (1, 2 & 3 Step Models)
- Proportional Solid State Step Control (models with more than 3 Steps)
- Status Pilot Light for each Stage/Step
- Listed by the Underwriters Laboratories
- 3 Year Limited Tank Warranty / 1 Year Parts Warranty
(See warranty for details)

Optional Features

Place an X in the box by all options that apply

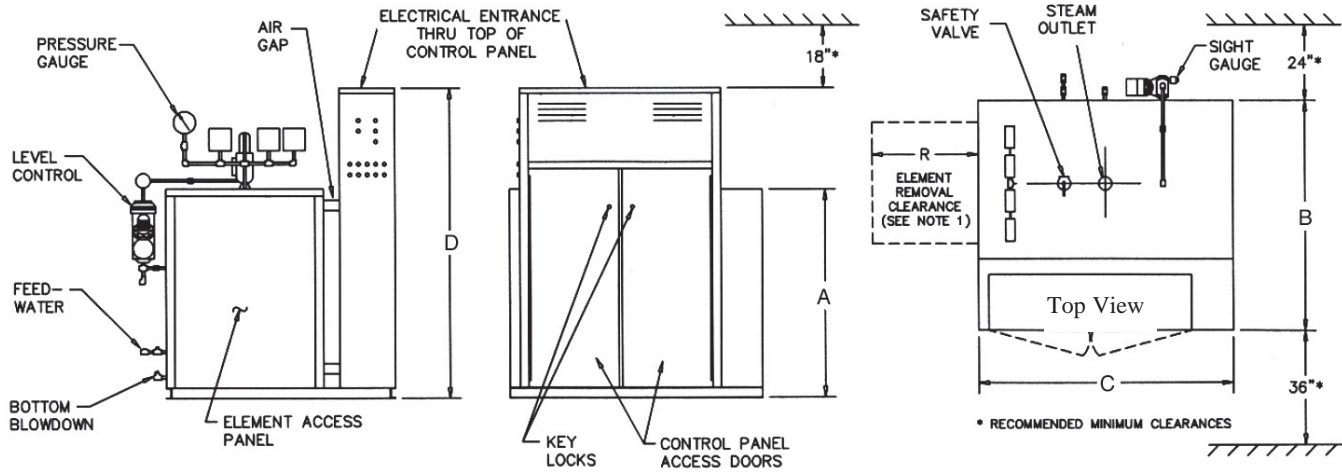
- Alarm Bell
- Automatic Breaker
- Automatic Feed Water Solenoid Valve
- Fused Disconnect
- Ground Fault Detector
- Kilowatt/Hour Meter
- Main Power Disconnect
- Manual Limit Toggle Switches (1 per Step)
- Automatic Timed Surface Blowoff System
- Ammeter (1 or 3 Phase)
- Volt Meter (1 or 3 Phase)
- Time Clock
- Stainless Steel Construction (100psi/200kw Max)

OPTIONAL CONTROLS

Modulating Step Control (Progressive)

- 5-Step
- 10-Step
- 15-Step
- 20-Step

Commercial Electric Steam Boiler Dimensions & Specifications



Note 1: Element removal clearance (R) is equal to 2 times the element kW.

Model Number	Max. Steam Input kW	F&A 212°F (PPH)	Max. # of Elements	Connection Sizes (NPT)					Tank Data		Dimensions (Inches)				Weight (lbs)		
				Feed Water	Blowdown 15psi	>15psi	Steam Outlet 15psi	50psi	150psi	Dims (In)	Vol (Gal)	A	B	C	D	Ship	Oper.
BS*12	60	205	3	1/2"	3/4"	3/4"	1-1/4"	1"	3/4"	12x42	20	22"	28"	50"	25"	550	650
BS*16	140	478	7	1/2"	3/4"	3/4"	2"	1"	3/4"	16x42	32	26"	32"	50"	33"	750	910
BS*16	200	682	10	1/2"	3/4"	3/4"	2"	1-1/4"	3/4"	16x42	32	26"	32"	54"	33"	800	960
BS*20	240	819	12	3/4"	1"	1"	2-1/2"	1-1/4"	1"	20x42	41	30"	36"	50"	51"	1,000	1,200
BS*20	320	1,092	18	3/4"	1"	1"	3"	1-1/2"	1"	20x42	41	30"	36"	54"	51"	1,050	1,250
BS*24	360	1,228	18	3/4"	1-1/4"	1"	3"	1-1/2"	1-1/4"	24x44	74	34"	40"	52"	51"	1,300	1,670
BS*24	600	2,047	30	3/4"	1-1/4"	1"	4" FLG	2"	1-1/2"	24x44	74	34"	40"	56"	51"	1,400	1,770
BS*30	960	3,276	48	3/4"	1-1/2"	1"	6" FLG	3" FLG	2"	30x46	124	40"	48"	60"	63"	1,700	2,340
BS*36	1,280	4,367	64	1"	1-1/2"	1"	6" FLG	3" FLG	2"	36x46	166	46"	54"	60"	63"	2,100	2,960
BS*42	1,880	6,415	94	1"	1-1/2"	1"	8" FLG	4" FLG	3" FLG	42x48	230	52"	62"	64"	81"	2,800	4,000



Lochinvar, LLC • 300 Maddox Simpson Pkwy • Lebanon, TN 37090 • 615-889-8900/Fax: 615-547-1000
www.Lochinvar.com