

Commercial Electric Hot Water Boilers

Standard Features

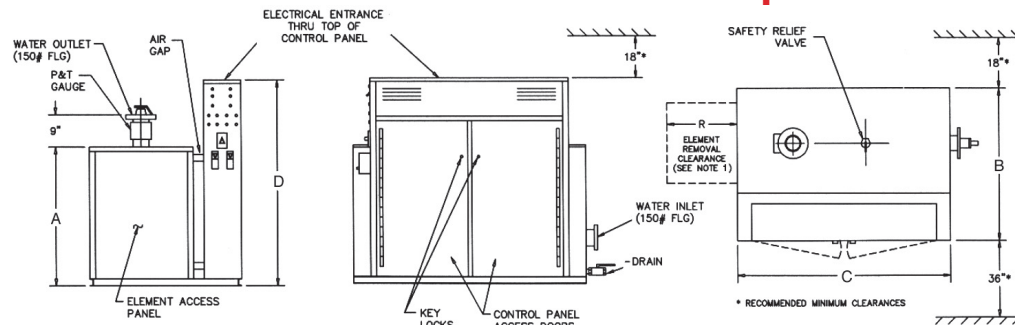
- ASME National Board Registered Pressure Vessel
- Heavy Duty Steel Boiler Vessel Housing
- Full Sized Structural Steel Base
- 3" Fiberglass Insulation
- Flanged Inlet and Outlet Connection (above 3")
- ASME Pressure Relief Valve
- Pressure Gauge with Cock
- Full Port Drain Valve
- Low Water Cut-Off with Manual Reset
- Manual Limit Toggle Switches (one per step)
- Adjustable High Limit with Automatic Reset
- Adjustable High Limit with Manual Reset
- Incoloy Sheathed Elements
- Internal Branch Circuit Fusing
- Magnetic Contactors
- Main Supply Circuit Lugs
- 120 Volt Fused Control Transformer
- On/Off Switch with Pilot Light
- Integral Electric Control Panel with Key Locked Door(s)
- Proportional Progressive Sequencing Step Control
- Status Pilot Light for each Step
- Digital Electronic Readout
- Listed by the Underwriters Laboratories
- 3 Year Limited Tank Warranty / 1 Year Parts Warranty
(See warranty for details)



Optional Equipment

- Alarm Buzzer w/silencing switch
- Automatic Breaker
- Flow Switch
- Non Fused Disconnect
- Fused Disconnect
- Ground Fault Detection System
- Low Temperature Switch
- Main Power Disconnect
- Manual Limit Toggle Switches (1 per step)
- Kilowatt/Hour Meter
- Amp Meter
- Volt Meter
- High Pressure limit switch
- Control Panel door solenoid interlock
- Low water cutoff-float type
- BMS alarm interface
- BMS remote set point control
- BMS remote step control (remote enable)
- BMS 120V interface to limit boiler power demand
- BMS 24V interface to limit boiler power demand
- Time clock
- 304 stainless steel vessel & non ferrous trim
- 3" connections
- 4" connectoins
- Bacnet Communications - IP or MSTP
- Modbus Communications - TCP/IP or RTU

Commercial Electric Hot Water Boiler Dimensions & Specifications



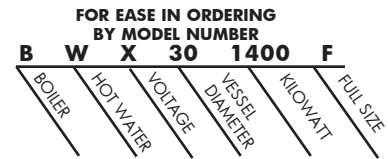
Note 1: Element removal clearance (R") is equal to 2 times the element kW.

Note 2: Optional equipment may change overall boiler dimensions. Please consult factory for dimensional information.

Commercial Electric Hot Water Boiler Dimensions & Specifications

Model Number	Max	MBH	Max	Connection		Max.	Tank	Data	Dimensions				Weight	
	Input kW	Per Hour	# of Elements	In/Out	Drain	Flow GPM	Dims (In)	Vol (Gal)	(Inches)				Ship	Oper.
BW*24	600	2047	30	4" FLG	1-1/4"	470	24x44	70	34"	40"	52"	51"	1300	1860
BW*24	920	3139	46	6" FLG	1-1/2"	680	24x44	70	34"	40"	56"	63"	1500	2060
BW*30	1560	5323	78	6" FLG	1-1/2"	900	30x48	125	40"	50"	60"	75"	1900	2900
BW*36	2000	6824	100	8" FLG	2"	1170	36x48	165	46"	56"	62"	87"	2400	3720
BW*42	3000	10236	150	10" FLG	2"	1840	42x50	260	54"	76"	64"	77"	3600	5760

480 Volts							600 Volts								
Model Number	Rating MBH	Rating kW	Elements Qty	Elements kW	Number of Circuits	Number of Steps@ kW	Amps	Model Number	Rating MBH	Rating kW	Elements Qty	Elements kW	Number of Circuits	Number of Steps@ kW	Amps
BWX24-480F	1638	480	24	20	12	4@80, 4@40	578	BWN24-655F	2236	655	28	23.4	14	9@93.6, 2@46.8	630
BWX24-520F	1774	520	26	20	13	5@80, 3@40	626	BWX24-749F	2555	749	32	23.4	16	8@93.6	721
BWX24-560F	1911	560	28	20	14	6@80, 2@40	674	BWN24-796F	2715	796	34	23.4	17	7@93.6, 3@46.8	766
BWX24-600F	2047	600	30	20	15	7@80, 1@40	722	BWN24-842F	2874	842	36	23.4	18	8@93.6, 2@46.8	810
BWX24-640F	2184	640	32	20	16	8@80	770	BWN24-936F	3194	936	40	23.4	20	10@93.6	901
BWX24-680F	2320	680	34	20	17	7@80, 3@40	818	BWN24-1096F	3673	1076	46	23.4	23	11@93.6, 1@46.8	1035
BWX24-720F	2457	720	36	20	18	8@80, 2@40	867	BWN30-1170F	3992	1170	50	23.4	25	1@140.4, 11@93.6	1126
BWX24-760F	2593	760	38	20	19	9@80, 1@40	915	BWN30-1264F	4311	1264	54	23.4	27	3@140.4, 9@93.6	1216
BWX24-800F	2730	800	40	20	20	10@80	963	BWN30-1357F	4631	1357	58	23.4	29	5@140.4, 7@93.6	1306
BWX24-840F	2866	840	42	20	21	9@80, 3@40	1011	BWN30-1451F	4950	1451	62	23.4	31	7@140.4, 5@93.6	1396
BWX24-880F	3003	880	44	20	22	10@80, 2@40	1059	BWN30-1544F	5269	1544	66	23.4	33	9@140.4, 3@93.6	1486
BWX24-900F	3071	900	45	20	22	10@80, 1@60, 1@40	1107	BWN30-1638F	5589	1638	70	23.4	35	11@140.4, 1@93.6	1576
BWX30-1000F	3412	1000	50	20	25	1@120, 11@80	1204	BWN30-1778F	6068	1778	76	23.4	38	10@140.4, 4@93.6	1711
BWX30-1080F	3685	1080	54	20	27	3@120, 9@80	1300	BWN30-1825F	6228	1825	78	23.4	39	11@140.4, 3@93.6	1756
BWX30-1160F	3958	1160	58	20	29	5@120, 7@80	1396	BWN36-1919F	6547	1919	82	23.4	41	13@140.4, 1@93.6	1847
BWX30-1240F	4231	1240	62	20	31	7@120, 5@80	1493	BWN36-2059F	7026	2059	88	23.4	44	12@140.4, 4@93.6	1981
BWX30-1320F	4504	1320	66	20	33	9@120, 3@80	1589	BWN36-2153F	7345	2153	92	23.4	46	14@140.4, 2@93.6	2072
BWX30-1400F	4777	1400	70	20	35	11@120, 1@80	1685	BWN36-2246F	7665	2246	96	23.4	48	16@140.4	2161
BWX30-1480F	5050	1480	74	20	37	9@120, 5@80	1781	BWN42-2527F	8623	2527	108	23.4	54	18@140.4	2432
BWX30-1520F	5186	1520	76	20	38	10@120, 4@80	1829	BWN42-2714F	9262	2714	116	23.4	58	10@140.4, 14@93.6	2612
BWX36-1600F	5459	1600	80	20	40	12@120, 2@80	1926	BWN42-2808F	9581	2808	120	23.4	60	12@140.4, 12@93.6	2702
BWX36-1680F	5732	1680	84	20	42	14@120	2022	BWN42-3089F	10539	3089	132	23.4	66	18@140.4, 6@93.6	2972
BWX36-1760F	6005	1760	88	20	44	12@120, 4@80	2119								
BWX36-1840F	6278	1840	92	20	46	14@120, 2@80	2215								
BWX36-1920F	6551	1920	96	20	48	16@120	2311								
BWX36-2000F	6824	2000	100	20	50	14@120, 4@80	2407								
BWX42-2080F	7097	2080	104	20	52	16@120, 2@80	2503								
BWX42-2240F	7643	2240	112	20	56	16@120, 4@80	2696								
BWX42-2400F	8189	2400	120	20	60	20@120	2888								
BWX42-2560F	8735	2560	128	20	64	20@120, 2@80	3081								



VOLTAGE SCHEDULE

X - 480V	3PH
N - 600V	3PH

This is a 480 volt, three phase, 1400 Kilowatt full size electric hot water boiler with 30 inch diameter vessel. Operating temperature and pressure are requested prior to placing an order.

Notes: For lower KW ratings, please refer to the Compact Boiler. Models above 1600KW are also available in 40KW increments.



Lochinvar, LLC
300 Maddox Simpson Parkway
Lebanon, Tennessee 37090
P: 615.889.8900 / F: 615.547.1000
Lochinvar.com

