



**Lochinvar**<sup>®</sup>  
HIGH EFFICIENCY BOILERS & WATER HEATERS

**COMMERCIAL  
ELECTRIC BOILER  
Submittal Sheet  
EBW-Sub-06**

**COMMERCIAL ELECTRIC HOT WATER BOILERS**

**JOBNAME** \_\_\_\_\_  
**LOCATION** \_\_\_\_\_  
**ENGINEER** \_\_\_\_\_  
**WHOLESALE** \_\_\_\_\_  
**MECH.CONTRACTOR** \_\_\_\_\_  
**MODEL NO.** \_\_\_\_\_ **VOLTAGE/PHASE/KW** \_\_\_\_\_  
**VOLTAGE/PHASE/KW** \_\_\_\_\_ **DESIGN PRESSURE** \_\_\_\_\_  
**DESIGN TEMPERATURE** \_\_\_\_\_  
**NOTES** \_\_\_\_\_  
 \_\_\_\_\_  
 \_\_\_\_\_

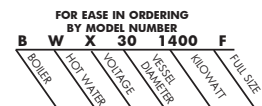
**Standard Features**

- ASME National Board Registered Pressure Vessel
- Heavy Duty Steel Boiler Vessel Housing
- 3" Fiberglass Insulation
- Flanged Inlet and Outlet Connection (above 3")
- ASME Pressure Relief Valve
- Pressure Gauge with Cock
- Drain Valve
- Low Water Cut-Off with Manual Reset
- Adjustable High Limit with Automatic Reset
- Adjustable High Limit with Manual Reset
- Incoloy Sheathed Elements
- Internal Branch Circuit Fusing
- Magnetic Contactors
- Main Supply Circuit Lugs
- 120 Volt Fused Control Transformer
- On/Off Switch with Pilot Light
- Preheat Switch with Pilot Light (above 240 kW)
- Key Locked Door
- On/Off Temperature Switches (1 & 2 Step Models)
- Electronic Multi-Stage Control (3 & 4 Step Models)
- Proportional Solid State Step Control
- (Units with more than 4 Steps)
- Status Pilot Light for each Step
- Digital Temperature Readout (Except 1 & 2 Step)
- Listed by the Underwriters Laboratories
- 3 Year Limited Tank Warranty / 1 Year Parts Warranty (See warranty for details)

**Optional Features**

Place an X in the box by all options that apply

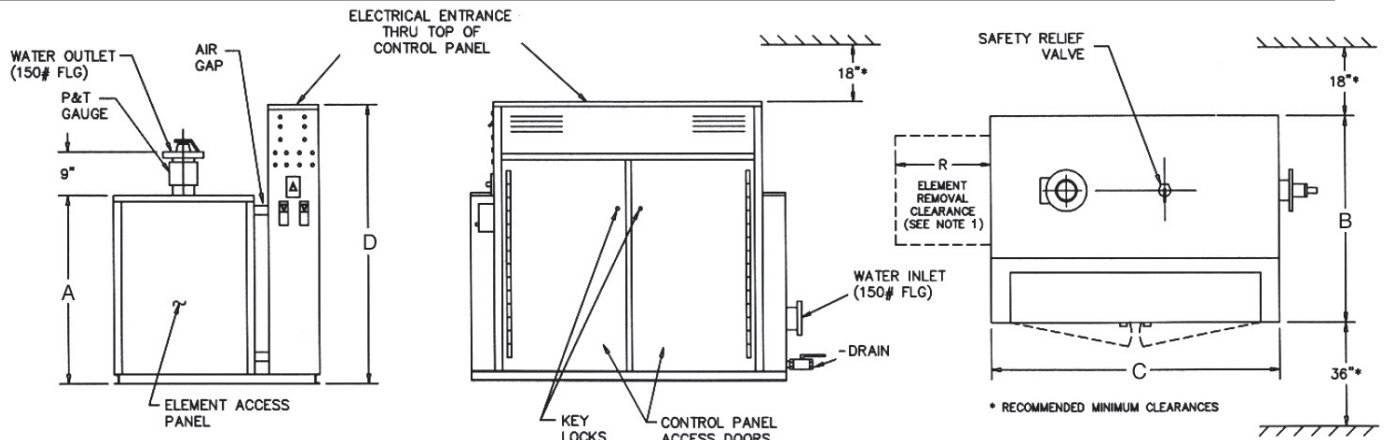
- Alarm Bell
- Automatic Breaker
- Flow Switch
- Fused Disconnect
- Ground Fault Detector
- Low Temperature Switch
- Main Power Disconnect
- Manual Limit Toggle Switches (1 per step)
- Kilowatt/Hour Meter



This is a 480 volt, three phase, 1400 Kilowatt full size electric hot water boiler with 30 inch diameter vessel. Operating temperature and pressure are requested prior to placing an order.

*Notes: For lower KW ratings, please refer to the Compact Boiler. Models above 1600KW are also available in 40KW increments.*

# Commercial Electric Boiler Dimensions & Specifications



**Note 1:** Element removal clearance (R") is equal to 2 times the element kW.  
**Note 2:** Optional equipment may change overall boiler dimensions. Please consult factory for dimensional information.

Model Number	Max Input kW	MBH Per Hour	Max # of Elements	Connection Sizes (NPT)		Max. Flow GPM	Tank Dims (In)	Data Vol (Gal)	Dimensions (Inches)			Weight (lbs.)		
				In/Out	Drain				A	B	C	Ship	Oper.	
BWX24	600	2047	30	4" FLG	1-1/4"	470	24x44	70	34"	40"	52"	51"	1,300	1,860
BWX24	920	3139	46	6" FLG	1-1/2"	680	24x44	70	34"	40"	56"	63"	1,500	2,060
BWX30	1560	5323	78	6" FLG	1-1/2"	900	30x48	125	40"	50"	60"	75"	1,900	2,900
BWX36	2000	6824	100	8" FLG	2"	1,170	36x48	165	46"	56"	62"	87"	2,400	3,720
BWX42	3000	10236	150	10" FLG	2"	1,840	42x50	260	54"	76"	64"	77"	3,600	5,760

## 480 Volt Ratings

## 600 Volt Ratings

Model Number	480 Volts		Elements		Number of		Amps	600 Volts		Elements		Number of		Amps
	Rating MBH	Rating kW	Qty	kW	Circuits	Steps@ kW		Qty	kW	Circuits	Steps@ kW			
BWX24-480F	1638	480	16	20	16	8@60	N/A	N/A	N/A	N/A	N/A	N/A	N/A	
BWX24-520F	1774	520	26	20	13	5@80, 3@40	N/A	N/A	N/A	N/A	N/A	N/A	N/A	
BWX24-560F	1911	560	28	20	14	6@80, 2@40	674	N/A	N/A	N/A	N/A	N/A	N/A	
BWX24-600F	2047	600	30	20	15	7@80, 1@40	722	N/A	N/A	N/A	N/A	N/A	N/A	
BWX24-640F	2184	640	32	20	16	8@80	770	N/A	N/A	N/A	N/A	N/A	N/A	
BWX24-655F	2236	655	N/A	N/A	N/A	N/A	N/A	28	23.4	14	9@93.6, 2@46.8	N/A	N/A	
BWX24-680F	2320	680	34	20	17	7@80, 3@40	818	N/A	N/A	N/A	N/A	N/A	N/A	
BWX24-720F	2457	720	36	20	18	8@80, 2@40	867	N/A	N/A	N/A	N/A	N/A	N/A	
BWX24-749F	2555	749	N/A	N/A	N/A	N/A	N/A	32	23.4	16	8@93.6	N/A	N/A	
BWX24-760F	2593	760	38	20	19	9@80, 1@40	915	N/A	N/A	N/A	N/A	N/A	N/A	
BWX24-796F	2715	796	N/A	N/A	N/A	N/A	N/A	34	23.4	17	7@93.6, 3@46.8	N/A	N/A	
BWX24-800F	2730	800	40	20	20	10@80	963	N/A	N/A	N/A	N/A	N/A	N/A	
BWX24-840F	2866	840	42	20	21	9@80, 3@40	1011	N/A	N/A	N/A	N/A	N/A	N/A	
BWX24-842F	2874	842	N/A	N/A	N/A	N/A	N/A	36	23.4	18	8@93.6, 2@46.8	N/A	N/A	
BWX24-880F	3003	880	44	20	22	10@80, 2@40	1059	N/A	N/A	N/A	N/A	N/A	N/A	
BWX24-900F	3071	900	45	20	22	10@80, 1@60, 1@40	1107	N/A	N/A	N/A	N/A	N/A	N/A	
BWX24-936F	3194	936	N/A	N/A	N/A	N/A	N/A	40	23.4	20	10@93.6	N/A	N/A	
BWX24-1096F	3673	1076	N/A	N/A	N/A	N/A	N/A	46	23.4	23	11@93.6, 1@46.8	N/A	N/A	
BWX30-1000F	3412	1000	50	20	25	1@120, 11@80	1204	N/A	N/A	N/A	N/A	N/A	N/A	
BWX30-1080F	3685	1080	54	20	27	3@120, 9@80	1300	N/A	N/A	N/A	N/A	N/A	N/A	
BWX30-1160F	3958	1160	58	20	29	5@120, 7@80	1396	N/A	N/A	N/A	N/A	N/A	N/A	
BWX30-1170F	3992	1170	N/A	N/A	N/A	N/A	N/A	50	23.4	25	1@140.4, 11@93.6	N/A	N/A	
BWX30-1240F	4231	1240	62	20	31	7@120, 5@80	1493	N/A	N/A	N/A	N/A	N/A	N/A	
BWX30-1264F	4311	1264	N/A	N/A	N/A	N/A	N/A	54	23.4	27	3@140.4, 9@93.6	N/A	N/A	
BWX30-1320F	4504	1320	66	20	33	9@120, 3@80	1589	N/A	N/A	N/A	N/A	N/A	N/A	
BWX30-1357F	4631	1357	N/A	N/A	N/A	N/A	N/A	58	23.4	29	5@140.4, 7@93.6	N/A	N/A	
BWX30-1400F	4777	1400	70	20	35	11@120, 1@80	1685	N/A	N/A	N/A	N/A	N/A	N/A	
BWX30-1451F	4950	1451	N/A	N/A	N/A	N/A	N/A	62	23.4	31	7@140.4, 5@93.6	N/A	N/A	
BWX30-1480F	5050	1480	74	20	37	9@120, 5@80	1781	N/A	N/A	N/A	N/A	N/A	N/A	
BWX30-1520F	5186	1520	76	20	38	10@120, 4@80	1829	N/A	N/A	N/A	N/A	N/A	N/A	
BWX30-1544F	5269	1544	N/A	N/A	N/A	N/A	N/A	66	23.4	33	9@140.4, 3@93.6	N/A	N/A	
BWX30-1638F	5589	1638	N/A	N/A	N/A	N/A	N/A	70	23.4	35	11@140.4, 1@93.6	N/A	N/A	
BWX30-1778F	6068	1778	N/A	N/A	N/A	N/A	N/A	76	23.4	38	10@140.4, 4@93.6	N/A	N/A	
BWX30-1825F	6228	1825	N/A	N/A	N/A	N/A	N/A	78	23.4	39	11@140.4, 3@93.6	N/A	N/A	
BWX36-1600F	5459	1600	80	20	40	12@120, 2@80	1926	N/A	N/A	N/A	N/A	N/A	N/A	
BWX36-1680F	5732	1680	84	20	42	14@120	2022	N/A	N/A	N/A	N/A	N/A	N/A	
BWX36-1760F	6005	1760	88	20	44	12@120, 4@80	2119	N/A	N/A	N/A	N/A	N/A	N/A	
BWX36-1840F	6278	1840	92	20	46	14@120, 2@80	2215	N/A	N/A	N/A	N/A	N/A	N/A	
BWX36-1919F	6547	1919	N/A	N/A	N/A	N/A	N/A	82	23.4	41	13@140.4, 1@93.6	N/A	N/A	
BWX36-1920F	6551	1920	96	20	48	16@120	2311	N/A	N/A	N/A	N/A	N/A	N/A	
BWX36-2000F	6824	2000	100	20	50	14@120, 4@80	2407	N/A	N/A	N/A	N/A	N/A	N/A	
BWX36-2059F	7026	2059	N/A	N/A	N/A	N/A	N/A	88	23.4	44	12@140.4, 4@93.6	N/A	N/A	
BWX36-2153F	7345	2153	N/A	N/A	N/A	N/A	N/A	92	23.4	46	14@140.4, 2@93.6	N/A	N/A	
BWX36-2246F	7665	2246	N/A	N/A	N/A	N/A	N/A	96	23.4	48	16@140.4	N/A	N/A	
BWX42-2080F	7097	2080	104	20	52	16@120, 2@80	2503	N/A	N/A	N/A	N/A	N/A	N/A	
BWX42-2240F	7643	2240	112	20	56	16@120, 4@80	2696	N/A	N/A	N/A	N/A	N/A	N/A	
BWX42-2400F	8189	2400	120	20	60	20@120	2888	N/A	N/A	N/A	N/A	N/A	N/A	
BWX42-2527F	8623	2527	N/A	N/A	N/A	N/A	N/A	108	23.4	54	18@140.4	N/A	N/A	
BWX42-2560F	8735	2560	128	20	64	20@120, 2@80	3081	N/A	N/A	N/A	N/A	N/A	N/A	
BWX42-2714F	9262	2714	N/A	N/A	N/A	N/A	N/A	116	23.4	58	10@140.4, 14@93.6	N/A	N/A	
BWX42-2808F	9581	2808	N/A	N/A	N/A	N/A	N/A	120	23.4	60	12@140.4, 12@93.6	N/A	N/A	
BWX42-3089F	10539	3089	N/A	N/A	N/A	N/A	N/A	132	23.4	66	18@140.4, 6@93.6	N/A	N/A	



Lochinvar, LLC  
 300 Maddox Simpson Parkway  
 Lebanon, Tennessee 37090  
 P: 615.889.8900 / F: 615.547.1000  
 Lochinvar.com

