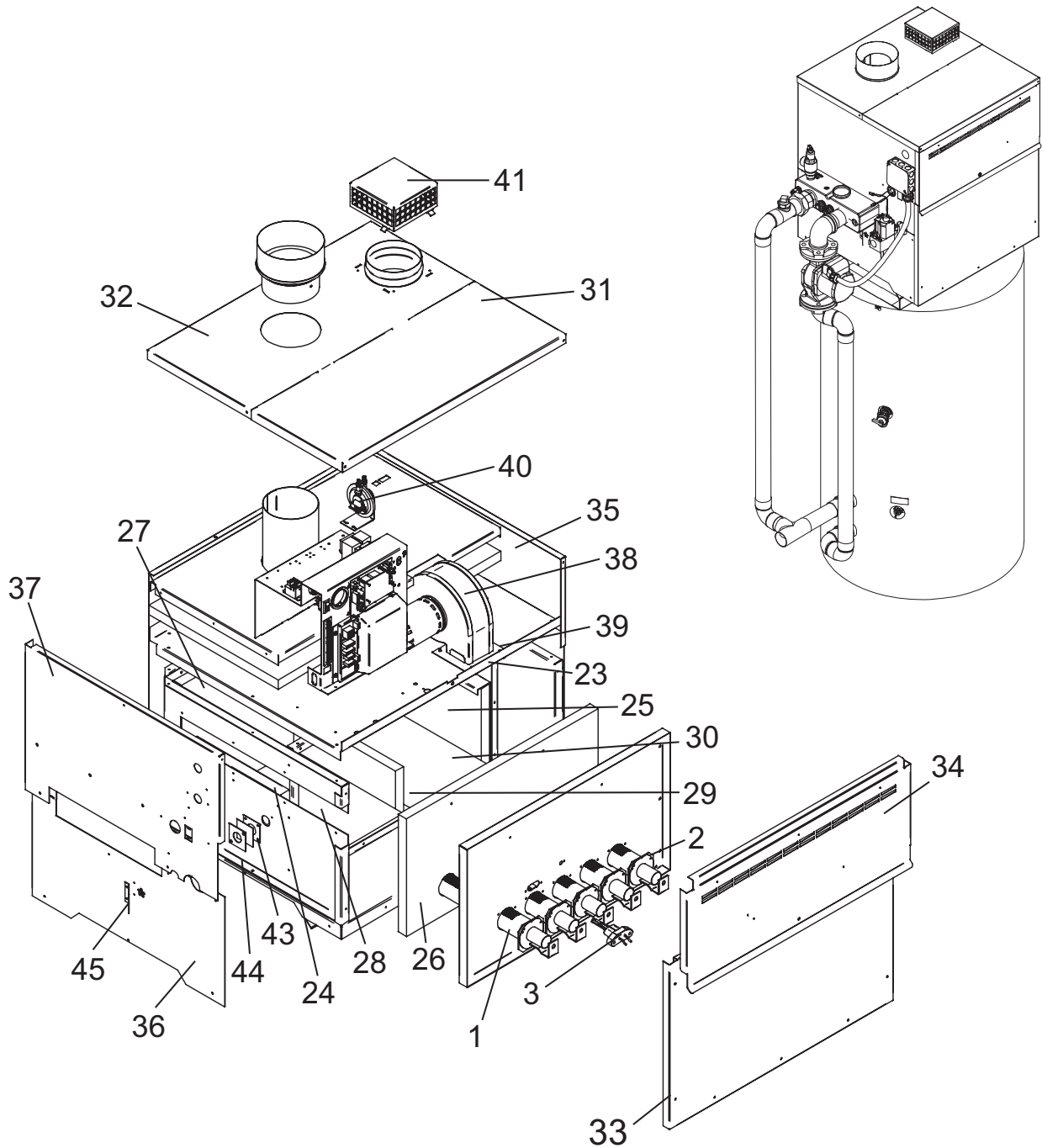




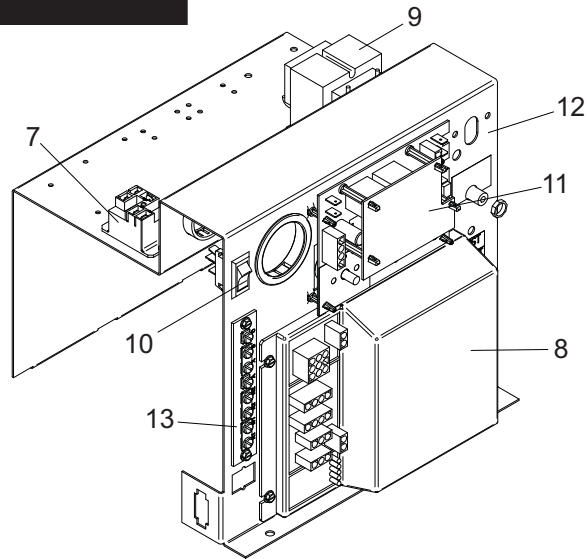
Replacement Parts List

Efficiency-Pac® EP 150 – 300 Water Heaters Starting Serial Number A05H00172365

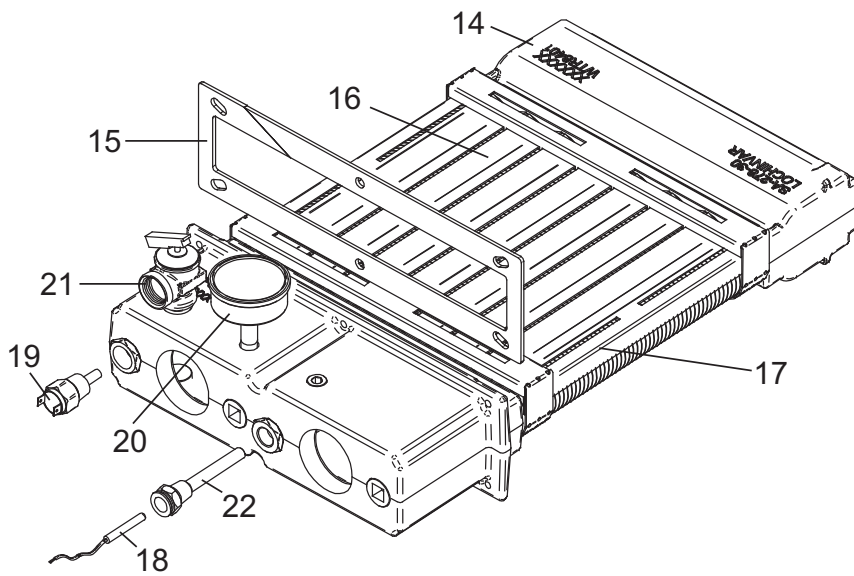
PARTS & SERVICE DEPARTMENT
Nashville, Tennessee
615-889-8900 • Fax: 615-882-2918
parts_team@lochinvar.com
www.Lochinvar.com



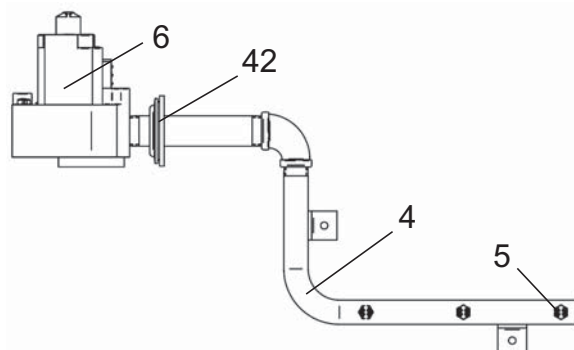
CONTROL PANEL ASSEMBLY



HEAT EXCHANGER ASSEMBLY



GAS TRAIN ASSEMBLY



ITEM NO.	PART NO.	DESCRIPTION	MODEL NO.
PILOT & BURNER ASSEMBLIES			
1	BNR3417 IS MAIN BURNER		Model
	BNR3416 IS MAIN BURNER W/ PRESSURE TAP (BURNERS INCLUDE BURNER GASKET)		BNR3417
			BNR3416
			150
			200
		250	
		300	
2	GKT2429	GASKET, BURNER	ALL
3	PLT3400	HOT SURFACE IGNITOR	ALL
4	MAN2439	GAS MANIFOLD	150
4	MAN2442	GAS MANIFOLD	200
4	MAN2443	GAS MANIFOLD	250
4	MAN2444	GAS MANIFOLD	300
5	ORF2406	ORIFICE, MAIN BNR. NAT.	ALL
5	ORF2407	ORIFICE, MAIN BNR. LPG.	ALL
GAS VALVES			
6	VAL2412	GAS VALVE, NAT. MAIN	ALL
6	VAL2411	GAS VALVE, LPG. MAIN	ALL
CONTROLS			
7	RLY2052	RELAY,PANEL MOUNT,24VDC,COIL	ALL
8	RLY2400	IGNITION MODULE	ALL
9	TRF2004	TRANSFORMER 50V.A.	ALL
10	MSC2426	SWITCH, ROCKER ON-OFF	ALL
11	TST5314	THERMOSTAT	ALL
12	KIT3117	MANUAL RESET HIGH LIMIT	ALL
13	MSC2016	TERMINAL BOARD	ALL
HEAT EXCHANGER			
14	HEX3028	HEAT EXCHANGER	150
14	HEX3029	HEAT EXCHANGER	200
14	HEX3030	HEAT EXCHANGER	250
14	HEX3031	HEAT EXCHANGER	300
15	GKT2400	GASKET, FRONT HEADER	ALL
16	JKA2000	V-BAFFLE (5 REQ'D)	150
16	JKA2001	V-BAFFLE (5 REQ'D)	200
16	JKA2002	V-BAFFLE (5 REQ'D)	250
16	JKA2003	V-BAFFLE (5 REQ'D)	300
17	JKA6525	FRAME RUNNER (2 REQ'D)	150
17	JKA6526	FRAME RUNNER (2 REQ'D)	200
17	JKA6527	FRAME RUNNER (2 REQ'D)	250
17	JKA6528	FRAME RUNNER (2 REQ'D)	300
18	TST2032	SENSOR	ALL
19	HLC2510	HIGH LIMIT	ALL
20	GTP3000	GAUGE, TEMPERATURE	ALL
21	RLV2013	RELIEF VALVE, 3/4, 150#	ALL
22	TST2301	BULB WELL	ALL
PUMPS			
--	ARM3074PAB	PUMP WATER HEATER	ALL
LOCH-HEAT® TILE			
23	FIB2800	LOCH-HEAT TILE, TOP	150
23	FIB2801	LOCH-HEAT TILE, TOP	200
23	FIB2802	LOCH-HEAT TILE, TOP	250
23	FIB2803	LOCH-HEAT TILE, TOP	300
24	FIB2420	LOCH-HEAT TILE, FRONT HEAD SIDE	ALL
25	FIB2421	LOCH-HEAT TILE, REAR HEAD SIDE	ALL
26	FIB2264	LOCH-HEAT TILE, FRONT	150
26	FIB2265	LOCH-HEAT TILE, FRONT	200
26	FIB2266	LOCH-HEAT TILE, FRONT	250
26	FIB2267	LOCH-HEAT TILE, FRONT	300
27	FIB2484	LOCH-HEAT TILE, BACK	150
27	FIB2485	LOCH-HEAT TILE, BACK	200
27	FIB2486	LOCH-HEAT TILE, BACK	250
27	FIB2487	LOCH-HEAT TILE, BACK	300
28	FIB2488	LOCH-HEAT TILE, BOTTOM LEFT	150
28	FIB2489	LOCH-HEAT TILE, BOTTOM LEFT	200
28	FIB2490	LOCH-HEAT TILE, BOTTOM LEFT	250
PLEASE HAVE MODEL AND SERIAL NUMBER WHEN ORDERING PARTS			

ITEM NO.	PART NO.	DESCRIPTION	MODEL NO.
LOCH-HEAT® TILE (CONTINUED)			
28	FIB2491	LOCH-HEAT TILE, BOTTOM LEFT	300
29	FIB2806	LOCH-HEAT TILE DIVIDER	ALL
30	FIB2804	LOCH-HEAT TILE, BOTTOM RIGHT	150
30	FIB2489	LOCH-HEAT TILE, BOTTOM RIGHT	200
30	FIB2805	LOCH-HEAT TILE, BOTTOM RIGHT	250
30	FIB2491	LOCH-HEAT TILE, BOTTOM RIGHT	300
JACKET/DOOR ASSEMBLIES			
31	JKA6094	JACKET, OUTER TOP FRONT	150
31	JKA6095	JACKET, OUTER TOP FRONT	200
31	JKA6096	JACKET, OUTER TOP FRONT	250
31	JKA6097	JACKET, OUTER TOP FRONT	300
32	JKA6102	JACKET, OUTER TOP REAR	150
32	JKA6103	JACKET, OUTER TOP REAR	200
32	JKA6104	JACKET, OUTER TOP REAR	250
32	JKA6105	JACKET, OUTER TOP REAR	300
33	JKA6232	JACKET, OUTER FRONT LOWER	150
33	JKA6233	JACKET, OUTER FRONT LOWER	200
33	JKA6234	JACKET, OUTER FRONT LOWER	250
33	JKA6235	JACKET, OUTER FRONT LOWER	300
34	JKA6236	JACKET, OUTER FRONT UPPER DOOR	150
34	JKA6237	JACKET, OUTER FRONT UPPER DOOR	200
34	JKA6238	JACKET, OUTER FRONT UPPER DOOR	250
34	JKA6239	JACKET, OUTER FRONT UPPER DOOR	300
35	JKA6505	JACKET, OUTER RIGHT SIDE	ALL
36	JKA6241	JACKET, OUTER LEFT SIDE LOWER	ALL
37	JKA6240	JACKET, OUTER LEFT SIDE UPPER	ALL
MISCELLANEOUS			
38	FAN2724	ASSEMBLY, FAN	150
38	FAN2410	ASSEMBLY, FAN	200-300
39	GKT2009	GASKET, FAN	150
39	GKT2416	GASKET, FAN	200-300
40	PRS30009	SWITCH, AIR PRESSURE	150-200
40	PRS30010	SWITCH, AIR PRESSURE	250-300
41	JKA6510	COVER, DUST AIR INTAKE	ALL
42	GKT2427	GASKET, ESCUTCHEON PLUG	ALL
43	GKT2401	GASKET, SIGHT GLASS	ALL
44	MSC3415	KIT, SIGHT GLASS	ALL
45	JKA6506	MIRROR, INSPECTION	ALL
--	GKT3408	GASKET, MANNING GLASS (INNER COMBUSTION CHAMBER WALL)	ALL
--	GKT30001	GASKET, SILICONE (INSIDE OUTER JACKET LOWER DOOR) 15' ROLL	ALL
--	DRH2722	BELL INCREASER (NOT PICTURED)	150 - 200
--	DRH2729	BELL INCREASER (NOT PICTURED)	250 - 300
--	MSC3001	KIT, TUBING EPDM	150 - 200
--	MSC3002	KIT, TUBING EPDM	250 - 300
--	MSC2075	TUBE, INLET AIR	150 - 200
--	MSC2076	TUBE, INLET AIR	250 - 300
--	MSC2077	CLAMP, INLET AIR	150 - 300
--	WTR2040	FLOW SWITCH	ALL
--	WTR2530	LOW WATER CUT-OFF, MANUAL RESET (OPTIONAL) PRIOR TO H08H00211826	ALL
--	WTR30000	LOW WATER CUT-OFF, MANUAL RESET (OPTIONAL) BEGINNING H08H00211286	ALL
--	WTR2528	LOW WATER CUT-OFF, AUTO RESET (OPTIONAL) PRIOR TO H08H00211286	ALL
--	WTR30001	LOW WATER CUT-OFF, AUTO RESET (OPTIONAL) BEGINNING H08H00211286	ALL
--	WTR2222	LOW WATER CUT-OFF PROBE (OPTIONAL)	ALL
--	WTR20000	LOW WATER CUT-OFF BOOT (OPTIONAL)	ALL
WATER STORAGE TANK			
--	WTR1013	ANODE, MAGNESIUM	ALL
--	WTR1041	ANODE, ALUMINUM	OPTIONAL
--	WTR1016	HANDHOLE CLEANOUT COVER	ALL
--	GKT1010	GASKET, HANDHOLE	ALL
--	RJS-085	TANK, COMPLETE	ALL
--	RJS-100	TANK, COMPLETE	ALL
--	MSC2050	TUBE BAFFLE, INLET	ALL
--	RLV1002	RELIEF VALVE, T & P, 150#, TANK	ALL
PLEASE HAVE MODEL AND SERIAL NUMBER WHEN ORDERING PARTS			