



Lochinvar[®]
HIGH EFFICIENCY BOILERS & WATER HEATERS

EFFICIENCY-PAC[™]
WATER HEATER
Submittal Sheet
EPAC-Sub-04

EFFICIENCY-PAC[™] GAS WATER HEATERS

JOB NAME _____
LOCATION _____
ENGINEER _____
WHOLESALE _____
MECH. CONTRACTOR _____
MODEL NO. _____
TYPE GAS _____
Btu/hr INPUT _____
RECOVERY RATE IN GPH _____ @ _____ °F RISE
GALLON CAPACITY _____
NOTES

Standard Features

- 84% Thermal Efficiency
- Sealed Combustion Chamber
- Stainless Steel Burners
- Low NOx Operation Exceeds the most Stringent Air Quality Requirements
- ASME Copper Finned Tube Heat Exchanger
- 160 psi Working Pressure
- Gasketless Heat Exchanger Design
- All Bronze Circulating Pump
- Pump Delay w/ Freeze Protection
- Manual Reset High Limit
- Automatic Reset High Limit
- Glass-Lined Water Surfaces
- Loch-Heat Ceramic Tile Combustion Chamber
- Hot Surface Ignition
- ASME Pressure Relief Valve (Heater)
- ASME Temperature & Pressure Relief Valve (Tank)
- 24 Volt Control System
- Foam Insulated, Glass-Lined Storage Tank
- Brass Drain Valve (Tank)
- 3 Year Limited Warranty on Heat Exchanger
- 5 Year Limited Warranty on Tank

Optional Equipment

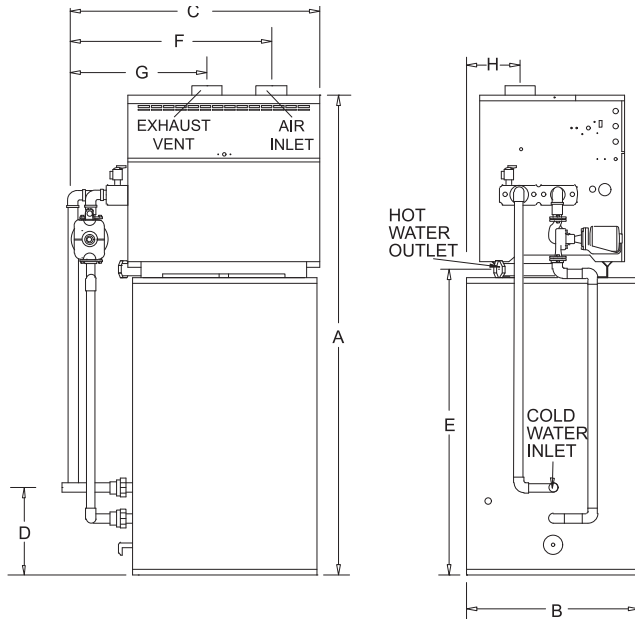
Place an X in the box by all options that apply

- Adjustable High Limit w/ Manual Reset
- Alarm Bell
- Contacts on any Failure
- Cupro-Nickel Heat Exchanger
- Flow Switch
- Low Water Cut-Off**
 - Probe Type
 - Probe Type w/ Manual Reset

Firing Control Systems

- F9 Hot Surface Ignition w/ Electronic Supervision (Standard)
- F7 California Code

Efficiency Pac™ Gas Water Heater Dimensions & Specifications



Model Number	Btu/hr Input	Gallon Capacity	GPH @ 100°F Rise	A	B	C	D	E	F	G	H	Vent Size	Shipping Weight
EPN150-085	150,000	85	153	78-1/2"	28"	40"	14-1/2"	50-1/4"	30-1/2"	21-3/4"	9"	5"	728
EPN200-085	199,999	85	204	78-1/2"	28"	40"	14-1/2"	50-1/4"	34-1/2"	23-3/4"	9"	5"	716
EPN200-100	199,999	100	204	75"	32"	44"	16-1/2"	47"	34-1/2"	23-3/4"	11"	5"	811
EPN250-100	250,000	100	255	75"	32"	44"	16-1/2"	47"	38-1/4"	25-1/2"	11"	6"	839
EPN300-100	300,000	100	305	75"	32"	45-3/4"	16-1/2"	47"	42"	27-1/2"	11"	6"	857

Note: Change 'N' to 'L' for LP gas models. (no deration for LP).

Air inlet dimensions equal vent diameter.

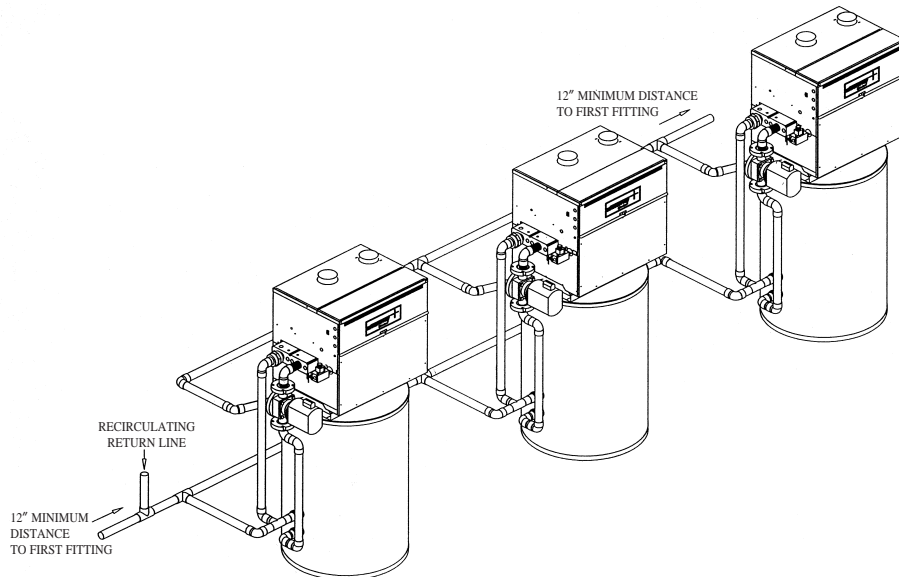
Vent size denotes conventional vent.

Performance data is based on manufacturer test results.

Cold water inlet is 2" copper.

Hot water outlet is 1-1/2" copper.

Gas connections are 3/4" NPT.



Lochinvar, LLC
 300 Maddox Simpson Parkway
 Lebanon, Tennessee 37090
 P: 615.889.8900 / F: 615.547.1000

