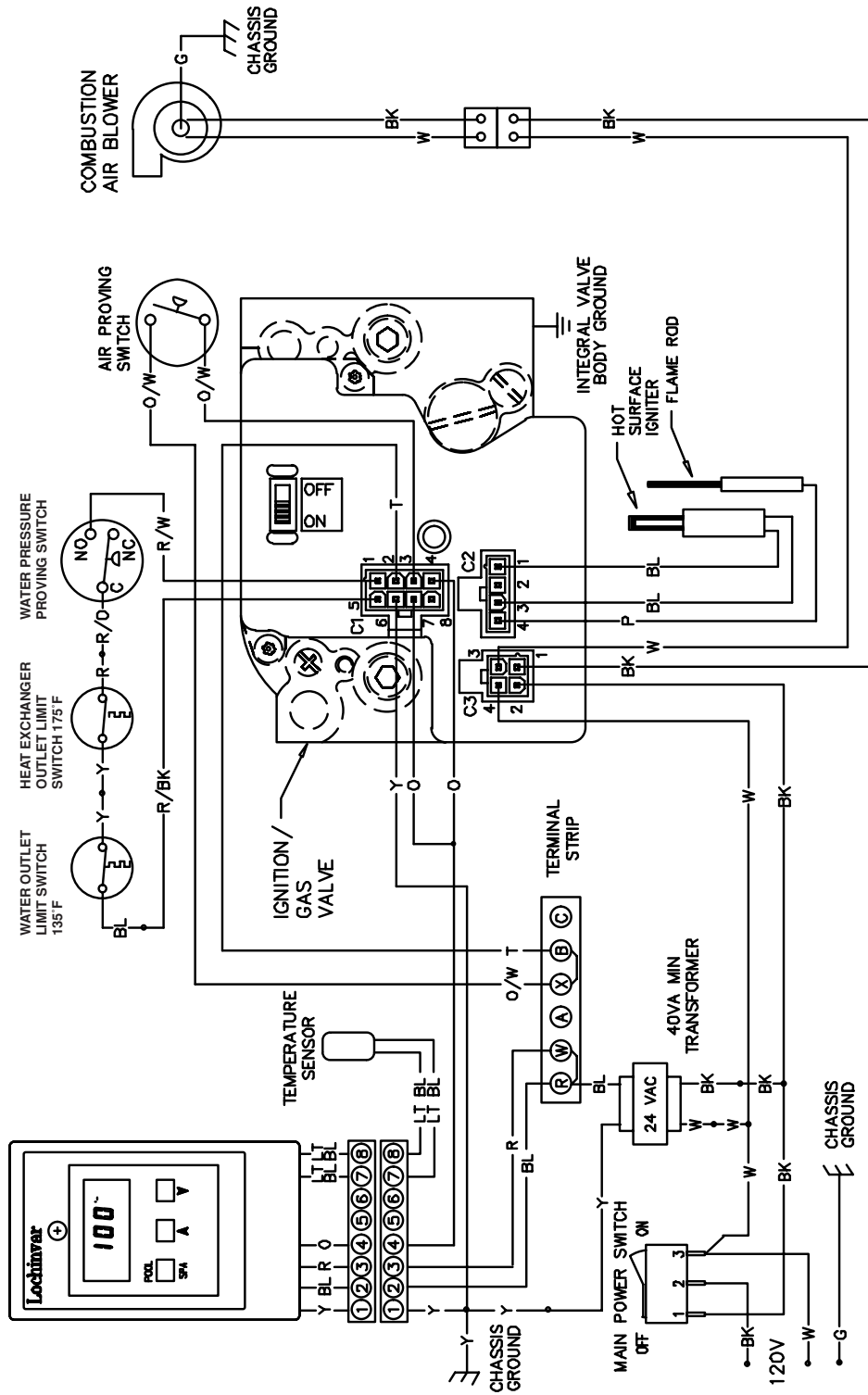


WIRING DIAGRAM - EnergyRite² Pool/Spa Heaters

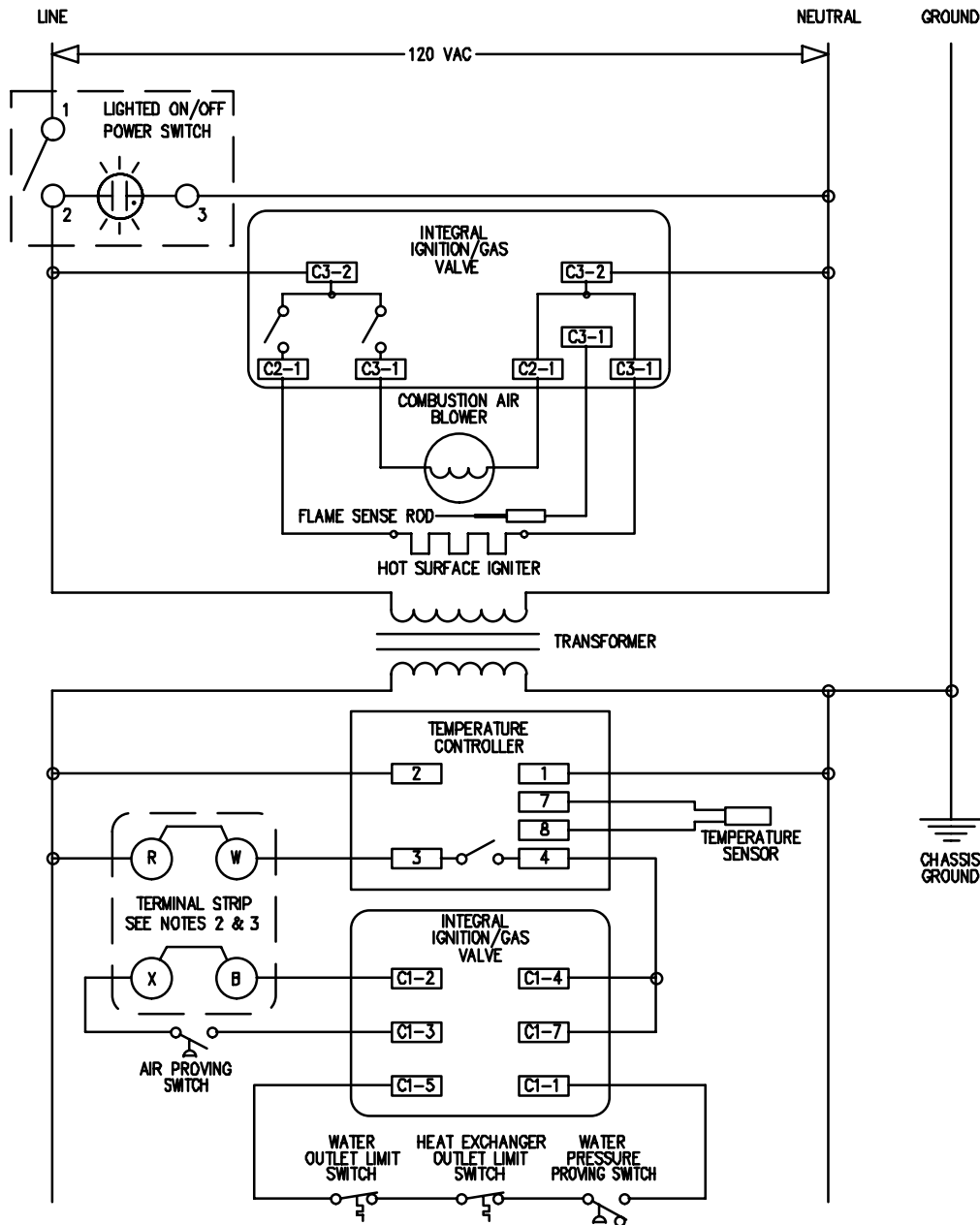
HOT SURFACE IGNITION SYSTEM
150,000-399,999 Btu/hr MODELS



NOTE:
REMOVE JUMPER BETWEEN R & W TO CONNECT REMOTE THERMOSTAT.
REMOVE JUMPER BETWEEN X & B TO CONNECT SAFETY SWITCHES.
WIRE MULTIPLE COMPONENTS IN SERIES.

LADDER WIRING DIAGRAM - EnergyRite² Pool/Spa Heaters

HOT SURFACE IGNITION SYSTEM 150,000-399,999 BTU/HR MODELS



NOTES:

1. IF ANY OF THE ORIGINAL WIRES, AS SUPPLIED WITH THE APPLIANCE, MUST BE REPLACED, THEY MUST BE REPLACED WITH EQUIVALENT WIRE TYPES.
2. (R) & (W) TERMINAL STRIP CONNECTIONS ARE FOR REMOTE OPERATOR.
3. (X) & (B) TERMINAL STRIP CONNECTIONS ARE FOR EXTERNAL SAFETY DEVICES.