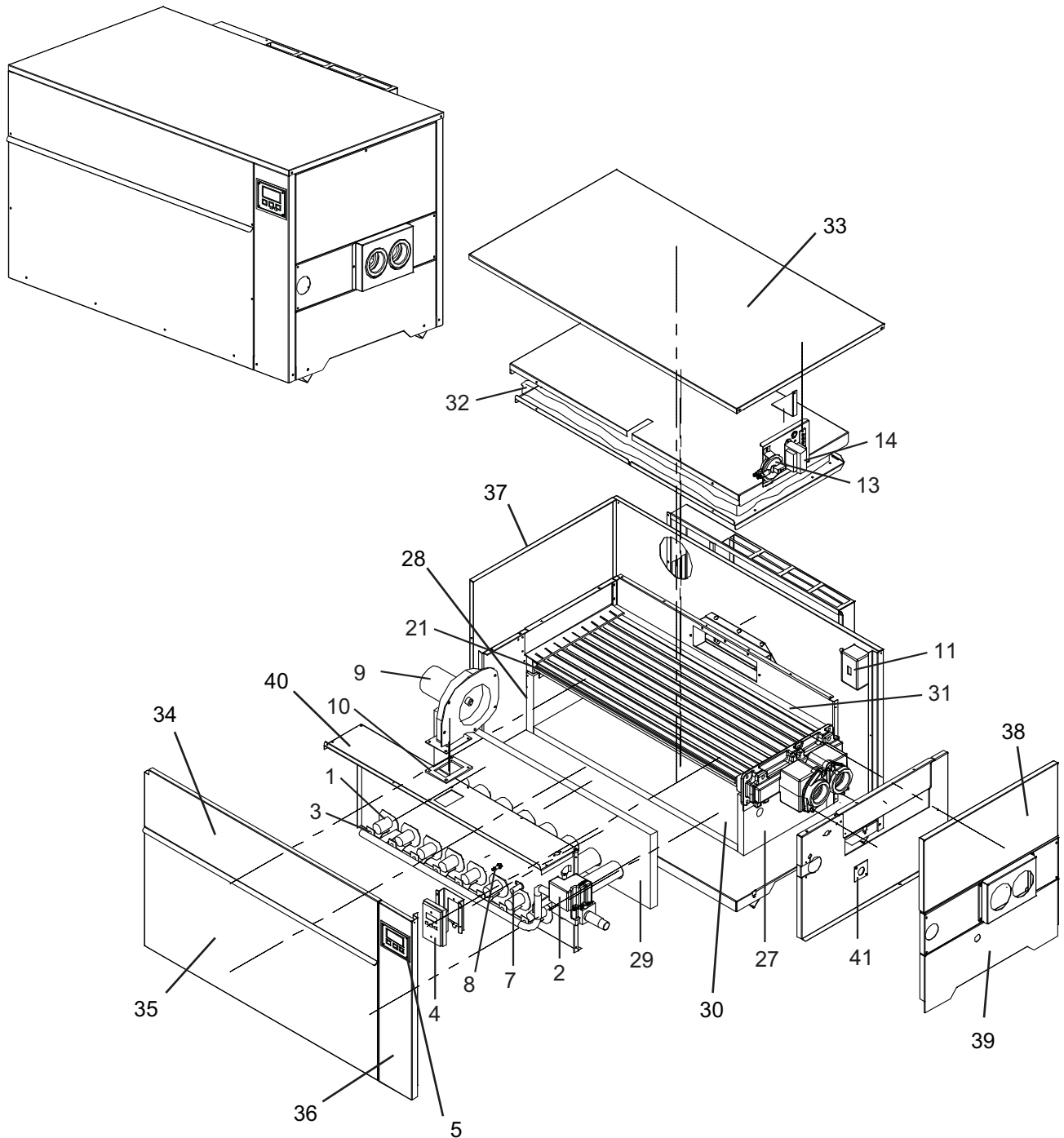




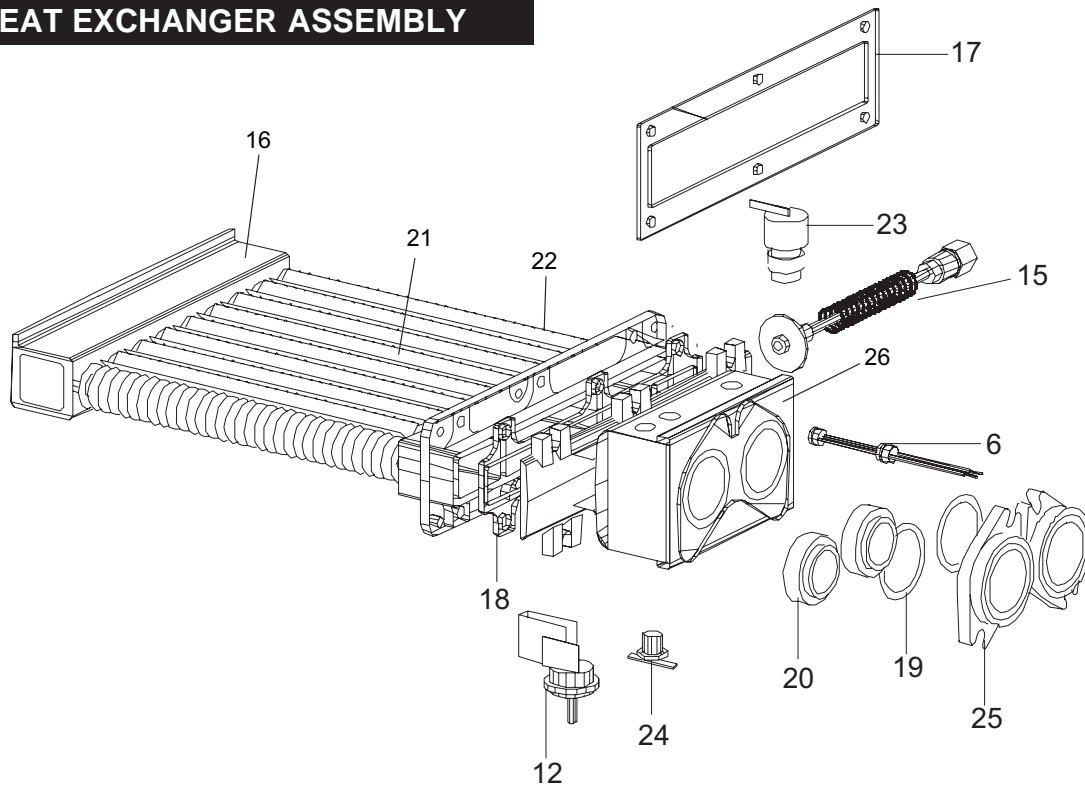
Replacement Parts List

PARTS & SERVICE DEPARTMENT
 Nashville, Tennessee
 615-889-8900 • Fax: 615-882-2918
 parts_team@lochinvar.com
 www.Lochinvar.com

EnergyRite²
 Lochinvar
 Residential Pool Heaters
 ER(N, L) 151-401



HEAT EXCHANGER ASSEMBLY



ITEM NO.	PART NO.	DESCRIPTION	MODEL NO.		
BURNERS					
1	BNR3417	MAIN BURNER	MODEL	BNR3417	BNR3416
	BNR3416	MAIN BURNER W/ PRESSURE TAP	ER151	2	1
-	GKT2429	GASKET, BURNER	ER201	3	1
			ER251	4	1
			ER301	5	1
			ER401	7	1
GAS TRAIN ASSEMBLY					
2	VAL2420	IGNITION / GAS VALVE	ALL		
3	ORF2406	ORIFICE, NAT	151 - 301		
3	ORF2141	ORIFICE, NAT - PRIOR TO SERIAL #E05H00004958	401		
3	ORF2406	ORIFICE, NAT - BEGINNING SERIAL# E05H00004958	401		
3	ORF2904	ORIFICE, LP	ALL		
CONTROLS AND GAUGES					
4	RLY30000	DIGITAL TEMPERATURE CONTROL	ALL		
5	LBL20004	OVERLAY LABEL, DIGITAL TEMPERATURE CONTROL	ALL		
6	HLC30002	THERMOSTAT / HIGH LIMIT - 175*	ALL		
7	PLT3000	IGNITOR	ALL		
8	PLT30001	FLAME SENSOR	ALL		
9	FAN2724	FAN ASSEMBLY	151		
9	FAN2723	FAN ASSEMBLY	201 - 401		
10	GKT2009	GASKET, FAN	ALL		
11	MSC2426	SWITCH, ROCKER - ON/OFF	ALL		
12	PRS2406	PRESSURE SWITCH, WATER	ALL		
13	PRS3428	PRESSURE SWITCH, AIR	ALL		
14	TRF2002	TRANSFORMER, 50VA	ALL		
15	MSC3403	BYPASS ASSEMBLY	ALL ER151-301		
15	MSC30030	BYPASS ASSEMBLY	ALL ER401		
HEAT EXCHANGERS					
16	HEX3425	HEAT EXCHANGER - NO HEADER PARTS	151		
16	HEX3426	HEAT EXCHANGER - NO HEADER PARTS	201		
16	HEX3427	HEAT EXCHANGER - NO HEADER PARTS	251		

PLEASE HAVE MODEL AND SERIAL NUMBER WHEN ORDERING PARTS

ITEM NO.	PART NO.	DESCRIPTION	MODEL NO.
HEAT EXCHANGERS (CONTINUED)			
16	HEX3428	HEAT EXCHANGER - NO HEADER PARTS	301
16	HEX3429	HEAT EXCHANGER - NO HEADER PARTS	401
16	HEX3435	CUPRO-NICKEL HEAT EXCHANGER - NO HEADER PARTS	151
16	HEX3436	CUPRO-NICKEL HEAT EXCHANGER - NO HEADER PARTS	201
16	HEX3437	CUPRO-NICKEL HEAT EXCHANGER - NO HEADER PARTS	251
16	HEX3438	CUPRO-NICKEL HEAT EXCHANGER - NO HEADER PARTS	301
16	HEX3439	CUPRO-NICKEL HEAT EXCHANGER - NO HEADER PARTS	401
16	HEX3405-A	HEAT EXCHANGER - ASME W/ HEADER	151
16	HEX3406-A	HEAT EXCHANGER - ASME W/ HEADER	201
16	HEX3407-A	HEAT EXCHANGER - ASME W/ HEADER	251
16	HEX3408-A	HEAT EXCHANGER - ASME W/ HEADER	301
16	HEX3409-A	HEAT EXCHANGER - ASME W/ HEADER	401
16	HEX3415-A	CUPRO-NICKEL HEAT EXCHANGER - ASME W/ HEADER	151
16	HEX3416-A	CUPRO-NICKEL HEAT EXCHANGER - ASME W/ HEADER	201
16	HEX3417-A	CUPRO-NICKEL HEAT EXCHANGER - ASME W/ HEADER	251
16	HEX3418-A	CUPRO-NICKEL HEAT EXCHANGER - ASME W/ HEADER	301
16	HEX3419-A	CUPRO-NICKEL HEAT EXCHANGER - ASME W/ HEADER	401
17	GKT2400	GASKET, HEAT SHIELD	ALL
18	GKT2412	GASKET, HEADER	ALL
19	GKT2413	GASKET, FLANGE - 2"	ALL
20	GKT2414	GASKET, FLANGE - 1.5"	ALL
21	JKD2266	V-BAFFLE (REQ. 6)	151
21	JKD2267	V-BAFFLE (REQ. 6)	201
21	JKD2268	V-BAFFLE (REQ. 6)	251
21	JKD2269	V-BAFFLE (REQ. 6)	301
21	JKD2270	V-BAFFLE (REQ. 6)	401
22	JKD6474	V-BAFFLE FRAME RUNNER (REQ. 2)	151
22	JKD6475	V-BAFFLE FRAME RUNNER (REQ. 2)	201
22	JKD6476	V-BAFFLE FRAME RUNNER (REQ. 2)	251
22	JKD6477	V-BAFFLE FRAME RUNNER (REQ. 2)	301
22	JKD6478	V-BAFFLE FRAME RUNNER (REQ. 2)	401
23	RLV2084	RELIEF VALVE - 50# (OPTIONAL)	ALL
24	DRV2400	DRAIN COCK	ALL
25	WTR3502	FLANGE	ALL
26	WTR3501	HEADER, FRONT	ALL
LOCH-HEAT TILE			
27	FIB2237	INSULATION PANEL, FRONT HEAD SIDE	ALL
28	FIB2238	INSULATION PANEL, REAR HEAD SIDE	ALL
29	FIB2239	INSULATION PANEL, FRONT	151
29	FIB2240	INSULATION PANEL, FRONT	201
29	FIB2241	INSULATION PANEL, FRONT	251
29	FIB2242	INSULATION PANEL, FRONT	301
29	FIB2243	INSULATION PANEL, FRONT	401
30	FIB2244	INSULATION PANEL, BOTTOM	151
30	FIB2245	INSULATION PANEL, BOTTOM	201
30	FIB2246	INSULATION PANEL, BOTTOM	251
30	FIB2247	INSULATION PANEL, BOTTOM	301
30	FIB2248	INSULATION PANEL, BOTTOM	401
31	FIB2249	INSULATION PANEL, BACK	151
31	FIB2250	INSULATION PANEL, BACK	201
31	FIB2251	INSULATION PANEL, BACK	251
31	FIB2252	INSULATION PANEL, BACK	301
31	FIB2253	INSULATION PANEL, BACK	401
32	FIB2800	INSULATION PANEL, TOP	151
32	FIB2801	INSULATION PANEL, TOP	201
32	FIB2802	INSULATION PANEL, TOP	251
PLEASE HAVE MODEL AND SERIAL NUMBER WHEN ORDERING PARTS			

ITEM NO.	PART NO.	DESCRIPTION	MODEL NO.
LOCH-HEAT TILE (CONTINUED)			
32	FIB2803	INSULATION PANEL, TOP	301
32	FIB2816	INSULATION PANEL, TOP	401
JACKET ASSEMBLY			
33	JKD6430	OUTER JACKET, TOP	151
33	JKD6431	OUTER JACKET, TOP	201
33	JKD6432	OUTER JACKET, TOP	251
33	JKD6433	OUTER JACKET, TOP	301
33	JKD6434	OUTER JACKET, TOP	401
34	JKD6402	OUTER JACKET, UPPER FRONT LEFT	151
34	JKD6403	OUTER JACKET, UPPER FRONT LEFT	201
34	JKD6404	OUTER JACKET, UPPER FRONT LEFT	251
34	JKD6405	OUTER JACKET, UPPER FRONT LEFT	301
34	JKD6406	OUTER JACKET, UPPER FRONT LEFT	401
35	JKD6409	OUTER JACKET, LOWER FRONT LEFT	151
35	JKD6410	OUTER JACKET, LOWER FRONT LEFT	201
35	JKD6411	OUTER JACKET, LOWER FRONT LEFT	251
35	JKD6412	OUTER JACKET, LOWER FRONT LEFT	301
35	JKD6413	OUTER JACKET, LOWER FRONT LEFT	401
36	JKD6408	OUTER JACKET, FRONT RIGHT	ALL
37	JKD6407	OUTER JACKET, LEFT SIDE	ALL
38	JKD6467	OUTER JACKET, UPPER RIGHT SIDE	ALL
39	JKD6414	OUTER JACKET, LOWER RIGHT SIDE	ALL
40	JKD5094	COMBUSTION CHAMBER DOOR ASSEMBLY	151
40	JKD5095	COMBUSTION CHAMBER DOOR ASSEMBLY	201
40	JKD5096	COMBUSTION CHAMBER DOOR ASSEMBLY	251
40	JKD5097	COMBUSTION CHAMBER DOOR ASSEMBLY	301
40	JKD5098	COMBUSTION CHAMBER DOOR ASSEMBLY	401
MISCELLANEOUS			
41	MSC3415	SIGHT GLASS ASSEMBLY	ALL
	GKT2053	GASKET, RED SILICONE SPONGE - 5/8" x 1/8"	ALL
	GKT2104	GASKET, BLACK NEOPRENE SPONGE - 1/2" x 1/8"	ALL
	GKT3408	GASKET, MANNING GLASS - 45" STRIP	ALL
	GKT2427	GASKET, ESCUTCHEON PIPE - 3/4"	ALL
	GKT2719	GASKET, BULB WELL	ALL
	GKT30000	GASKET, PVC - 1/4" x 5/8" x 25FT. ROLL	ALL
	GKT30001	GASKET, SILICONE - 1/4" x 5/8" x 15FT. ROLL	ALL
	TST2313	SENSOR, TEMPERATURE	ALL
	TST2301	BULB WELL - 3/8" NPT	ALL
	MSC2457	HOSE BARB FITTING	ALL
	MSC2461	TUBING, CLEAR SILICONE - 1/8"	ALL
	MSC2706	TUBING, BLACK EDPM - 1/4"	ALL
	MSC7119	BULB WELL CLIP	ALL
	PRS2701	PRESSURE TAP / PROBE	ALL
	WRE2036	WIRE HARNESS, FLAME ROD	ALL
PLEASE HAVE MODEL AND SERIAL NUMBER WHEN ORDERING PARTS			