



Lochinvar[®]
HIGH EFFICIENCY BOILERS & WATER HEATERS

**ENERGYRITE
POOL HEATER
Submittal Sheet**

ERP-Sub-02

ENERGYRITE[®] POOL HEATER

JOB NAME _____

LOCATION _____

ENGINEER _____

WHOLESALE _____

MECH. CONTRACTOR _____

MODEL NO. _____

TYPE GAS _____

Btu/hr INPUT _____

Btu/hr OUTPUT _____

NOTES

Standard Features

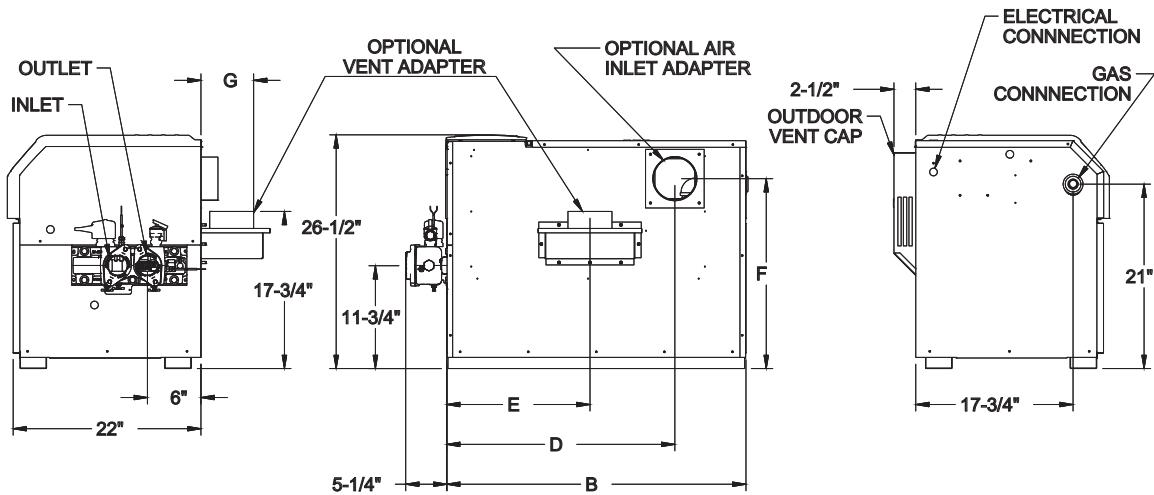
- 2-Line, 16-Character Digital Display
- Pool & Spa Temperature Control
- Password Security
- CPVC or PVC Ready
- 3rd-Party Remote Compatible
- Sealed Combustion Chamber
- Fan-Assisted Combustion
- Built-in Combustible Floor Shield
- Direct-Spark Ignition
- Stainless Steel Burners
- Loch-Heat Ceramic Tile
- 24V Terminal Strip
- Dual Voltage - 240V or 120V/60HZ
- On/Off Switch
- Built-in Air & Water Pressure Switches
- Inlet & Outlet Temperature Sensors
- Automatic Reset Hi Limit Safety
- Polymer Header with Built-in Bypass
- Low-NOx Emissions Meet the Most Stringent Standards
- Flame View Port
- Outdoor Venting
- 3-Year Limited Warranty on Heat Exchanger
- 2-Year Limited Warranty on Parts

Optional Equipment

Place an X in the box by all options that apply

- ASME Construction
- ASME Pressure Relief Valve
- Cupro-Nickel Heat Exchanger
- Stack Frame
- Indoor Vent Kits
- Flow Switch

Energryte Pool Heater Dimensions & Specifications



MODEL NUMBER	BTU/HR INPUT	DIMENSIONS					AIR INTAKE	VENT SIZE	E-RITE / POWERED SIDEWALL VENT	SHIPPING WEIGHT
		B	D	E	F	G				
ERN152	150,000	23"	18"	10-1/4"	22"	5-1/2"	4"	5"	4"	183
ERN202	199,999	26-1/2"	20-3/4"	12"	22"	6"	4"	5"	4"	195
ERN252	250,000	30"	21-1/2"	13-3/4"	22"	6"	5"	6"	5"	217
ERN302	300,000	33-3/4"	25-3/4"	16-1/4"	21-1/2"	6-1/2"	5"	6"	5"	240
ERN402	399,999	41"	29-1/2"	20"	21-1/2"	6-1/2"	5"	6"	6"	269

Note: Change "N" to "L" for LP gas models. No deration for LP. Water connections are 2" NPT on 4-1/2" centers. Gas connections are 3/4" NPT.

Venting Options:

- Conventional
- DirectAire Vertical w/ Side Wall Inlet
- DirectAire Vertical w/ Rooftop Inlet
- Power DirectAire
- Powered Side Wall
- E-Rite Side Wall
- Outdoor



Lochinvar, LLC
 300 Maddox Simpson Parkway
 Lebanon, Tennessee 37090
 P: 615.889.8900 / F: 615.547.1000
www.Lochinvar.com

