



Lochinvar[®]
High Efficiency Water Heaters, Boilers and Pool Heaters

**EFFICIENCY+[®] PACKAGED
WATER HEATER
Submittal Sheet**

EWP-Sub-03a

EFFICIENCY+[®] GAS WATER HEATER PACKAGE SYSTEM (MODELS EW 150-300)

JOB NAME _____

LOCATION _____

ENGINEER _____

WHOLESALE _____

MECH. CONTRACTOR _____

MODEL NO. _____

TYPE GAS _____

Btu/hr INPUT _____

RECOVERY RATE IN GPH _____ **@** _____ **°F RISE**

GALLON CAPACITY _____

TANK LINING _____

NOTES

Standard Features

- 84% Thermal Efficiency
- Sealed Combustion Chamber
- Stainless Steel Burners
- Low NOx Operation Exceeds the most Stringent Air Quality Requirements
- ASME Copper Finned Tube Heat Exchanger
- 160 psi Working Pressure
- Gasketless Heat Exchanger Design
- All Bronze Circulating Pump
- Pump Delay w/ Freeze Protection
- Manual Reset High Limit
- Remote Tank Thermostat
- Glass-Lined Water Surfaces
- Loch-Heat Ceramic Tile Combustion Chamber
- Hot Surface Ignition
- ASME Temperature & Pressure Relief Valve
- 24 Volt Control System
- 3 Year Limited Warranty on Heat Exchanger
(See warranty for details)

Optional Equipment

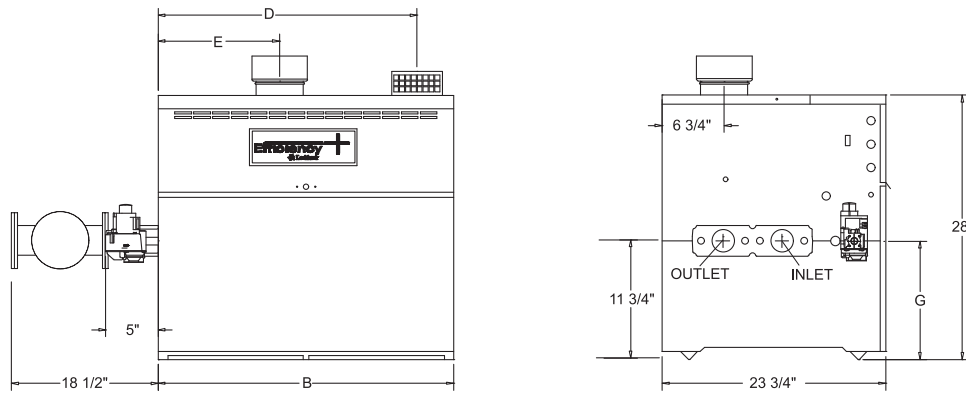
Place an X in the box by all options that apply

- Alarm Bell
- Contacts on any Failure
- Cupro-Nickel Heat Exchanger
- Flow Switch
- Freeze Protection
- Low Water Cut-Off
 - Probe Type
 - Probe Type w/ Manual Reset
- Adjustable High Limit w/ Manual Reset
- Stack Frame

Firing Control Systems

- F9 Hot Surface Ignition w/ Electronic Supervision (Standard)
- F7 California Code

Efficiency+® Gas Water Heater Dimensions & Specifications



Model Number	Btu/hr Input	GPH @ 100°F Rise	B	D	E	G	Vent Size*	Gas Conn.	Shipping Weight
EWN150PM	150,000	153	19-3/4	16	7-1/4	11-3/4	5	3/4	295
EWN200PM	199,999	204	23-3/4	20	9 1/4	11 3/4	5	3/4	318
EWN250PM	250,000	255	27-1/2	23-3/4	11	11 3/4	6	3/4	341
EWN300PM	300,000	305	31-1/4	27-1/2	13	11 3/4	6	3/4	363

Note: Change 'N' to 'L' for LP gas models.

Air inlet equals vent diameter.

Performance data based on manufacturer test results.

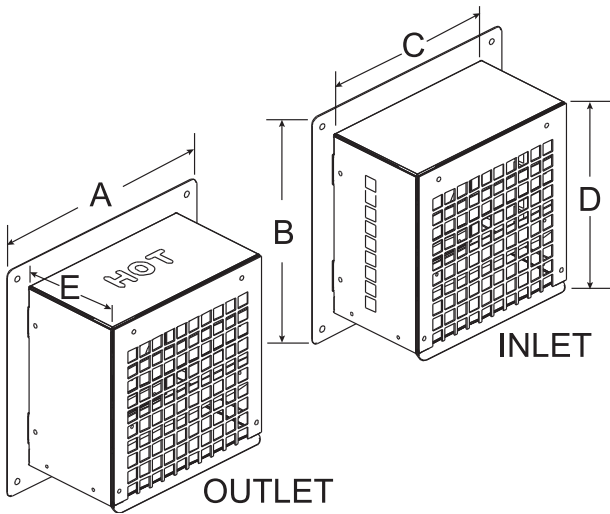
* Vent size is for conventional venting, venting options require 1" smaller vent diameter.

Water connections for models (EW 150-300) are 2" NPT on 6-1/4" centers.

All models approved for indoor applications only.

Venting Options

- Direct Vent Horizontal
- Direct Vent Vertical
- E+ DirectAire Vent
- Conventional
- Outdoor



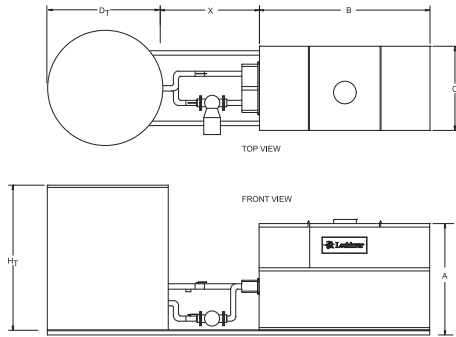
AMP DRAW DATA 150,000 thru 300,000 Btu Models				
FIRING CONTROLS	FAN	VALVE/ CONTROLS	MAXIMUM TOTAL AMPS @ 120 VAC	PUMP AMPS 150-300
F-9 (Single Stage)	1.15	3.97	5.12	5.8

Horizontal Direct Vent Inlet and Outlet Cap					
MODEL NO.	DIM "A"	DIM "B"	DIM "C"	DIM "D"	DIM "E"
EW 150-200	9-1/8"	8-7/8"	7-1/8"	7-3/8"	4-3/8"
EW 250-300	9-5/8"	9-3/8"	7-5/8"	7-3/4"	3-1/2"

Efficiency+® Package Systems Gas Water Heater Dimensions & Specifications

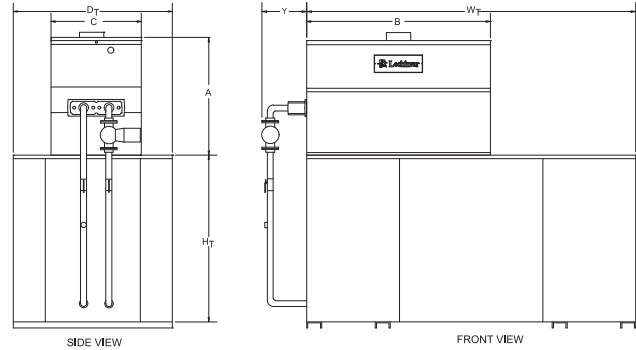
PS Configuration

EW 150-300 with a 119-504 gallon capacity Jacketed and Insulated Lock-Temp Vertical Tank.



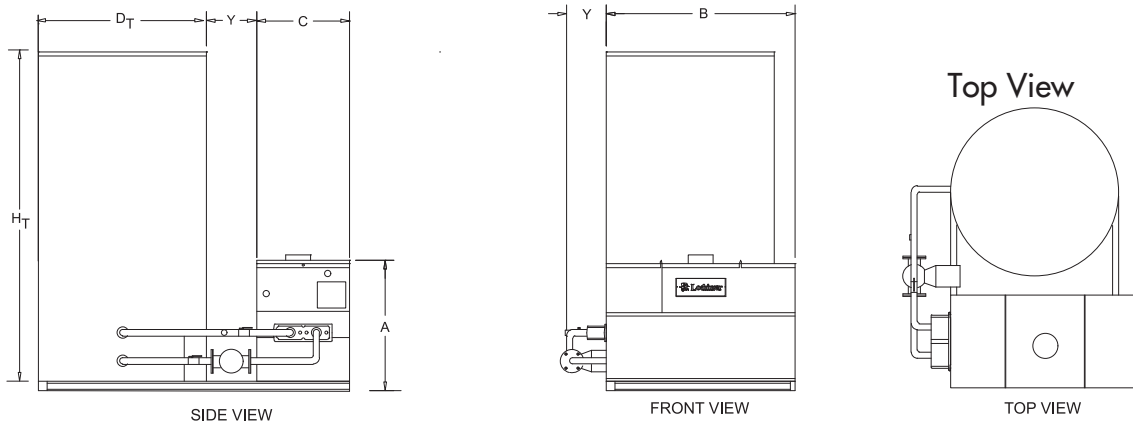
PT Configuration

EW 150-300 with a 300 to 2500 gallon capacity Jacketed and Insulated Lock-Temp Horizontal Tank.



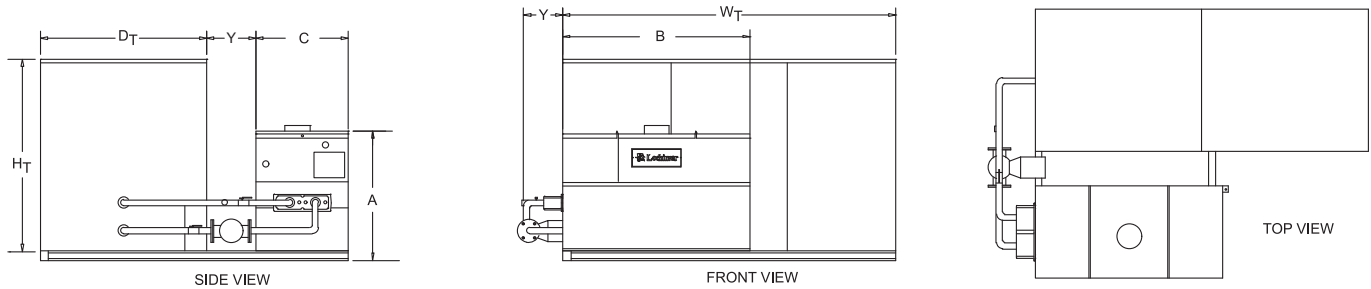
PU Configuration

EW 150-300 with a 119-504 gallon capacity Jacketed and Insulated Lock-Temp Vertical Tank.



PW Configuration

EW 150-300 with a 300 to 2500 gallon capacity Jacketed and Insulated Lock-Temp® Horizontal Tank.



Gallon	VERTICAL TANK DIMENSIONS		
	H_T	D_T	Weight
119	62-1/2"	28"	345
200	77-1/4"	32"	600
257	92"	34"	902
318	81"	40"	993
432	81"	46"	1,269
504	92"	46"	1,373

PIPING DIMENSIONS	
X	Y
42"	12"

Note: For Heater Dimensions "A", "B", "C" Consult Dimensions and Specifications Table on Back Page.

Gallons	HORIZONTAL TANK DIMENSIONS			Weight
	H_T	W_T	D_T	
300	50-1/2"	78-1/4"	42-1/4"	1,700
400	50-1/2"	102-1/4"	42-1/4"	2,250
500	56-1/2"	90-3/4"	48-1/4"	2,450
600	56-1/2"	114-1/4"	48-1/4"	3,350
700	56-1/2"	130-1/4"	48-1/4"	4,000
800	62-1/2"	124-1/4"	54-1/4"	4,800
1,000	62-1/2"	138-1/4"	54-1/4"	5,100
1,250	68-1/2"	130-1/4"	60-1/4"	5,900
1,500	77-1/2"	126-1/4"	66-1/4"	6,500
2,000	80-1/2"	138-1/4"	72-1/4"	9,000
2,500	86-1/2"	144-1/4"	78-1/4"	10,000

NOTE: If overall dimensions are critical consult factory.
All package systems are skid mounted.



Lochinvar
High Efficiency Water Heaters, Boilers and Pool Heaters



Lochinvar, LLC • 300 Maddox Simpson Pkwy • Lebanon, TN 37090 • 615-889-8900 / Fax: 615-547-1000
www.Lochinvar.com