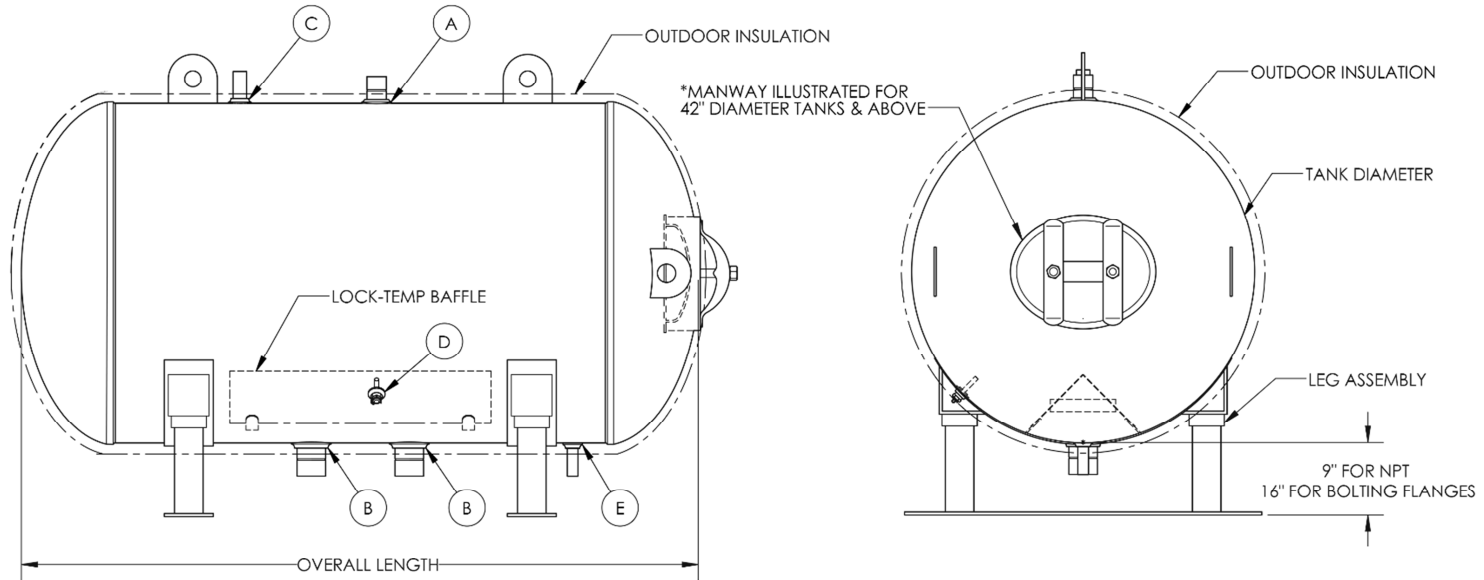


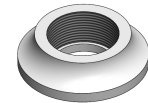
GENERIC INSULATED OUTDOOR HORIZONTAL TANK



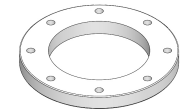
BASE MODEL _____
 PSI 125 OR 150
 INSULATION 2" OR 3"

*CONSULT FACTORY FOR ADDITIONAL OPTIONS.

| STANDARD CONNECTIONS (ILLUSTRATED) | | | | ALTERNATE/ADDITIONAL CONNECTIONS | | |
|------------------------------------|------------|--------------------|-----|----------------------------------|------|--|
| ITEM | SIZE | DESCRIPTION | QTY | SIZE | QTY. | SPECIFY FITTING TYPE NPT THREAD OR BOLTING FLANGE |
| A | 2" NPT | OUTLET | 1 | | | |
| B | 3" NPT | INLET/CIRCULATING | 2 | | | |
| C | 1-1/4" NPT | T&P (RELIEF VALVE) | 1 | | | |
| D | 3/4" NPT | AQUASTAT | 1 | | | |
| E | 1" NPT | DRAIN | 1 | | | |
| F | | ADDITIONAL | | | | |
| G | | ADDITIONAL | | | | |



NPT THREAD



**BOLTING FLANGE
(FFSO, CL150)**

DIR: 2000514261 000 01