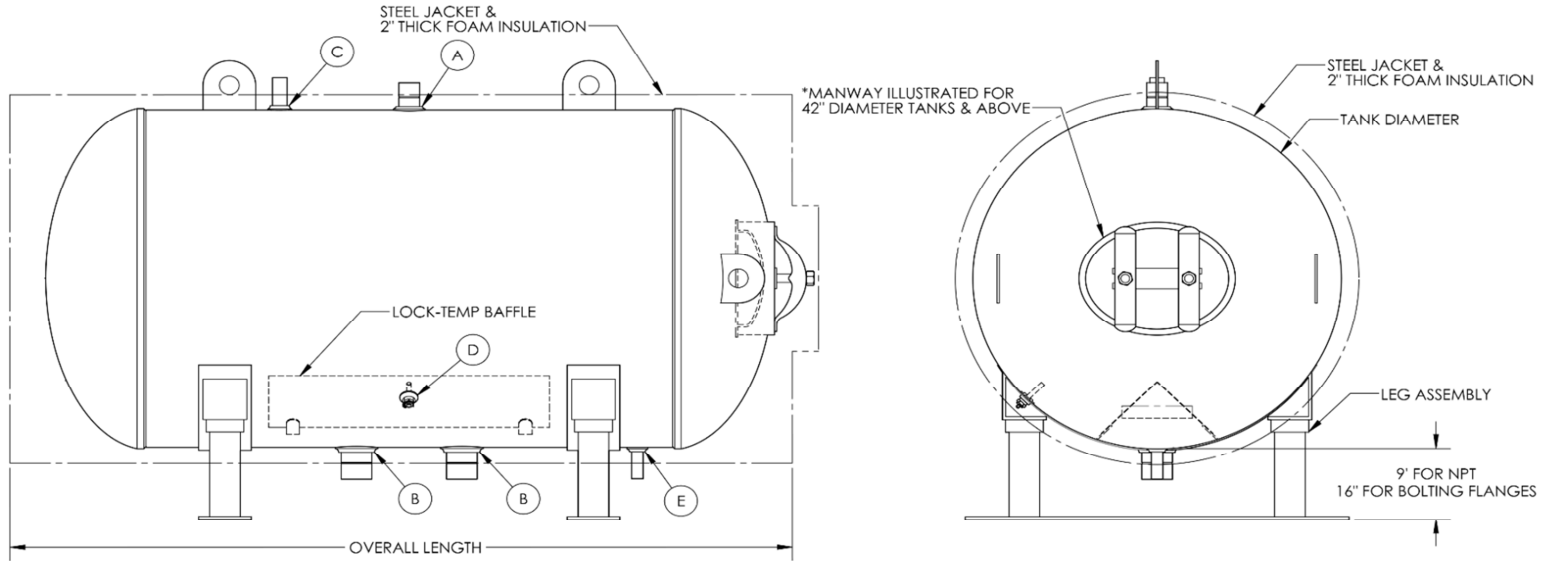


GENERIC ROUND JACKETED HORIZONTAL TANK

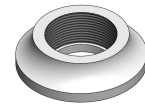


BASE MODEL _____

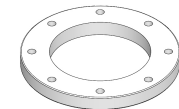
PSI 125 OR 150

*CONSULT FACTORY FOR ADDITIONAL OPTIONS.

STANDARD CONNECTIONS (ILLUSTRATED)				ALTERNATE/ADDITIONAL CONNECTIONS		
ITEM	SIZE	DESCRIPTION	QTY	SIZE	QTY.	SPECIFY FITTING TYPE NPT THREAD OR BOLTING FLANGE
A	2" NPT	OUTLET	1			
B	3" NPT	INLET/CIRCULATING	2			
C	1-1/4" NPT	T&P (RELIEF VALVE)	1			
D	3/4" NPT	AQUASTAT	1			
E	1" NPT	DRAIN	1			
F		ADDITIONAL				
G		ADDITIONAL				



NPT THREAD



**BOLTING FLANGE
(FFSO, CL150)**

DIR: 2000514950 000 01