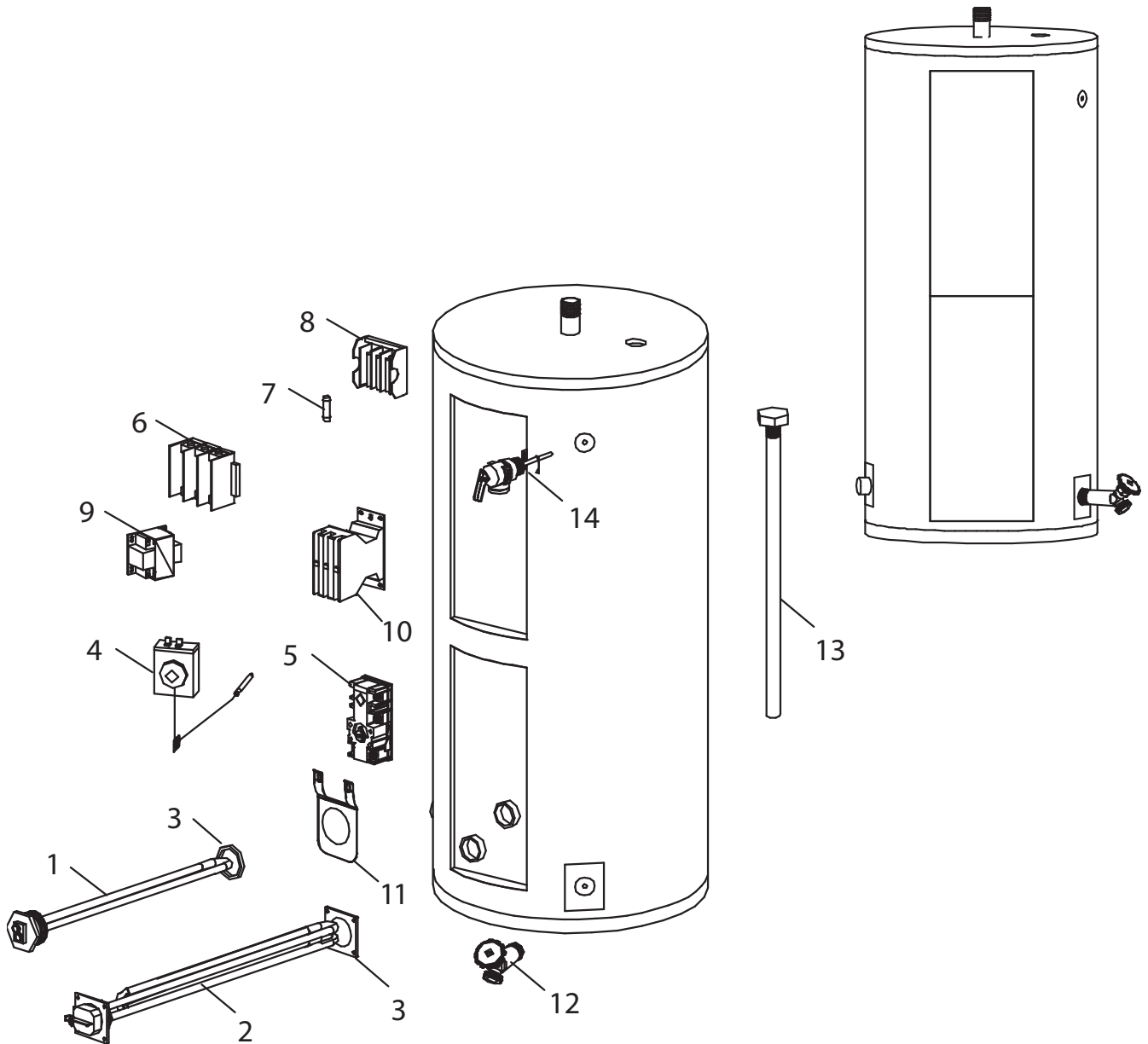




**PARTS AND SERVICE DEPARTMENT**  
Nashville, Tennessee  
615-889-8900 • Fax: 615-547-1000  
www.Lochinvar.com

# Replacement Parts List

## COMMERCIAL ELECTRIC STANDARD HI-POWER MODELS: HS & HC



ITEM NO.	PART NO.	DESCRIPTION	MODEL NO.		
1	SCREW-IN ELEMENT (FROM SERIAL # D88 TO PRESENT)			<b>NOTE:</b> BETWEEN B87 & D88 - VERIFY INSTALLATION FOR EITHER SCREW-IN OR FLANGE STYLE ELEMENTS	
	<b>WATTAGE</b>	<b>208V PART NO.</b>	<b>240V PART NO.</b>		<b>480V PART NO.</b>
	4000	ELE1411	ELE1405		ELE1406
	4500	ELE1414	ELE1417		ELE1409
	5000	ELE1410	ELE1411		ELE1412
6000	ELE1413	ELE1414	ELE1415		
2	FLANGE ELEMENTS (UP TO SERIAL # B87)				
	<b>WATTAGE</b>	<b>208V PART NO.</b>	<b>240V PART NO.</b>		<b>480V PART NO.</b>
	4000	ELE1133	ELE1109		ELE1110
	4500	ELE1120	ELE1121		ELE1119
	5000	ELE1132	ELE1133	ELE1134	
6000	ELE1153	ELE1120	ELE1155		
<b>THERMOSTATS</b>					
4	TST2528	THERMOSTAT, IMMERSION	ALL HC		
5	HLC2508	HIGH LIMIT CUT OFF	ALL HC		
5	TST1067	THERMOSTAT, SURFACE	ALL HS SCREW IN		
5	TST2527	THERMOSTAT, SURFACE	ALL HS FLANGED		
<b>TERMINAL BLOCKS</b>					
6	BLK2517	TERMINAL BLOCK	9KW - 27KW		
6	BLK2518	TERMINAL BLOCK	30KW - 54KW		
<b>FUSES</b>					
7	FUS1028	NON-40 FUSE 250V 40A	HS: ALL 208V & 240V, HC: 208V 18 & 36KW HC: 480V, 27 & 36KW		
7	FUS2507	JJS-30 FUSE 600V 30A	HC: ALL 480V (Except 27 & 36)		
7	FUS2509	JJS-40 FUSE 600V 40A	HS: 480V 45 & 54KW		
7	FUS2517	JJN-40 FUSE 250V 40A	HC: 208V 54KW		
7	FUS2528	NON-60 FUSE 250V 60A	HC: ALL 240V, 208V 27, 45 & 54KW		
<b>FUSE BLOCKS</b>					
8	BLK1005	FUSE BLOCK	ALL 240V, HC: 208V 18-45KW, HS: ALL 208V		
8	BLK2507	FUSE BLOCK	ALL 480V/40A		
8	BLK2508	FUSE BLOCK	HC: 208V 54KW		
8	BLK2509	FUSE BLOCK	ALL 480V/30A		
<b>TRANSFORMERS</b>					
9	TRF2521	208/277/380V TRANSFORMER	ALL 208V & 240V		
9	TRF2511	240/480V TRANSFORMER	ALL 480V		
<b>MISCELLANEOUS</b>					
3	GKT2513	GASKET, ELEMENT	ALL SCREW-IN		
3	GKT1021	GASKET, ELEMENT	ALL FLANGE		
10	CTR2506	CONTACTOR	ALL HC		
11	TST1074	BRACKET, THERMOSTAT MOUNTING	ALL SCREW-IN		
11	TST2573	BRACKET, THERMOSTAT MOUNTING	ALL FLANGE		
12	DRV2508	DRAIN VALVE	ALL		
13	WTR2502	ANODE ROD 1" X 48"	ALL		
13	WTR1013	ANODE ROD 3/4" X 40" (BEGINNING SERIAL #NG)	ALL		
14	RLV1002	RELIEF VALVE T & P	9KW - 24KW		
14	RLV1014	RELIEF VALVE T & P	27KW - 54KW		
--	WTR2530	LOW WATER CUT OFF	OPTIONAL		
--	WTR2222	PROBE FOR LWCO	OPTIONAL		
--	GKT1010	GASKET, ROUND HANDHOLE	ALL		
--	GKT2101	GASKET, 6 BOLT ASME	OPTIONAL		
--	FUS1032	1 AMP FUSE	ALL		

**PLEASE HAVE MODEL NUMBER AND SERIAL NUMBER WHEN ORDERING PARTS**