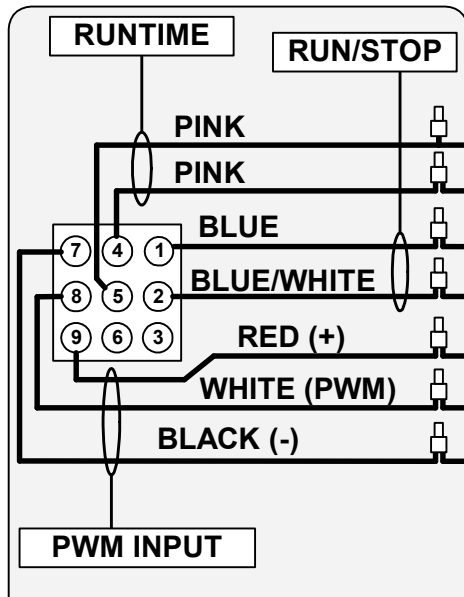
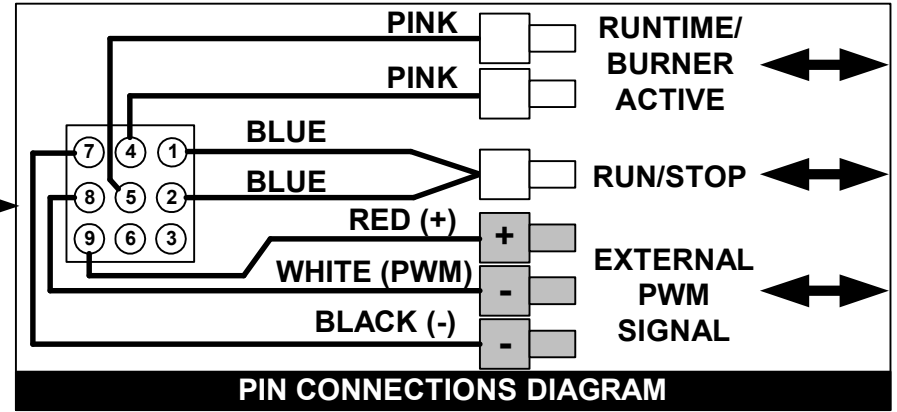
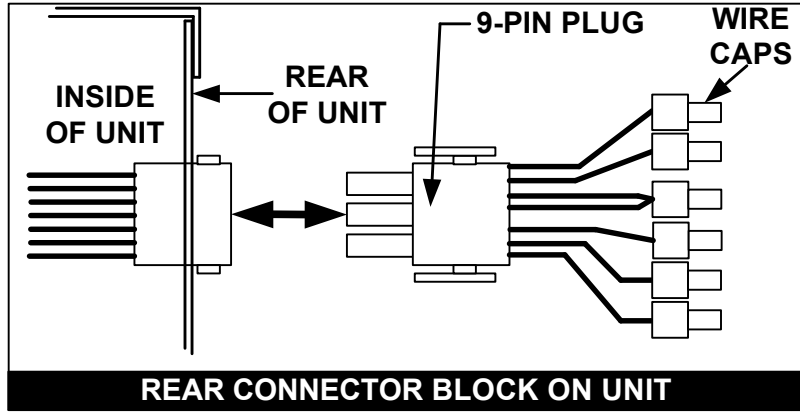
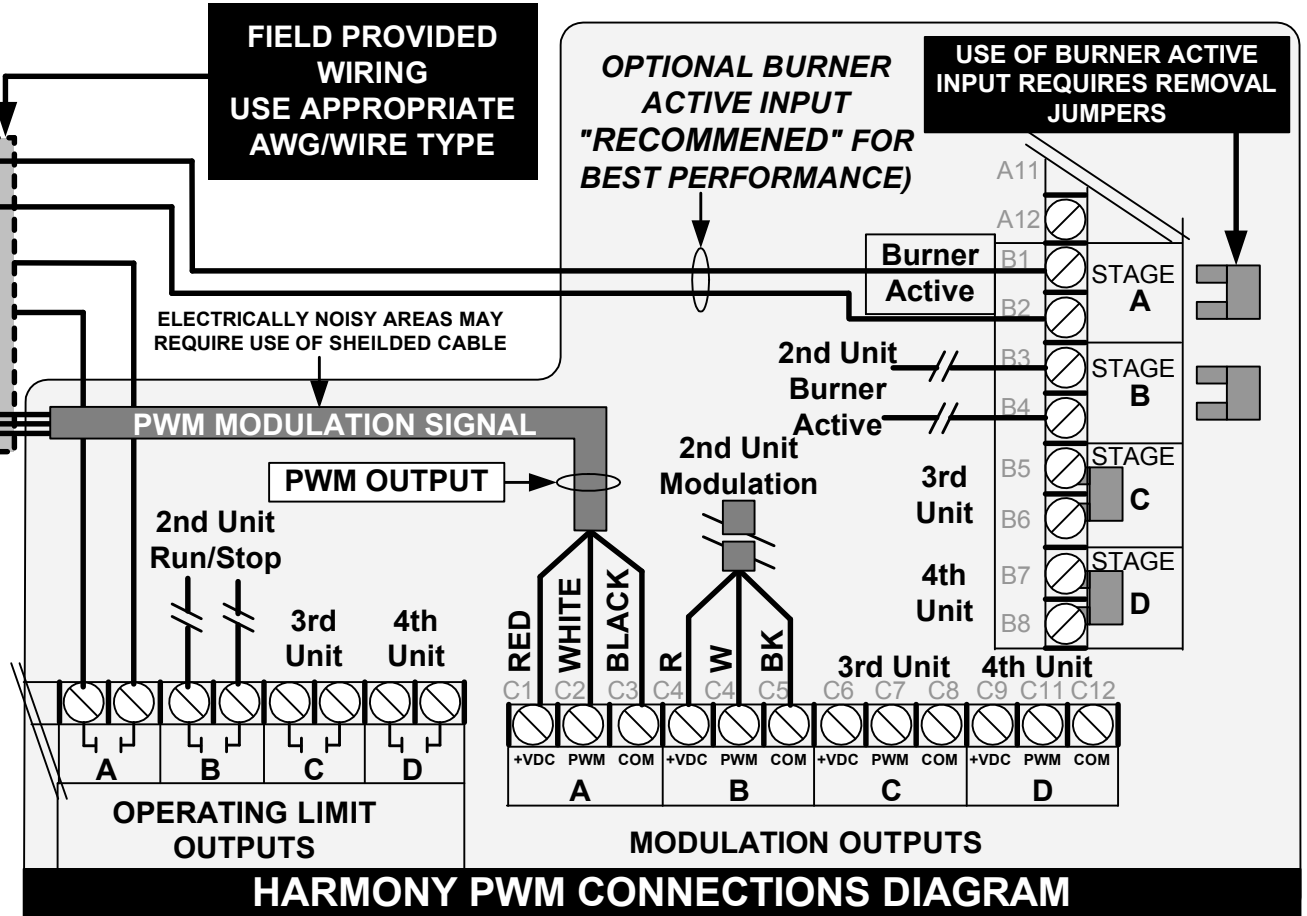


CONNECT "PWM" HARMONY TO UNIT



PWM

SMP2104/05
SEQUENCER



INTERNAL TO EXTERNAL "PWM" CONVERSION

STEPS:

1. Disconnect power from unit.
2. After gaining access to the control panel (see Owner's Manual), locate connector "CN11" on Main Control Board and then disconnect "WHITE" 5-pin plug that is attached to it.
3. Locate unused "RED" 5-pin plug in wiring harness and then attach it to "CN11".
4. Secure unused "WHITE" 5-PIN connector to harness using electrical tape or nylon cable tie.
5. Replace any access panels that were removed and reconnect power to the unit.
6. Refer to Operator's manual for setup of sequencer.

PWM
SMP2104/05
SEQUENCER

