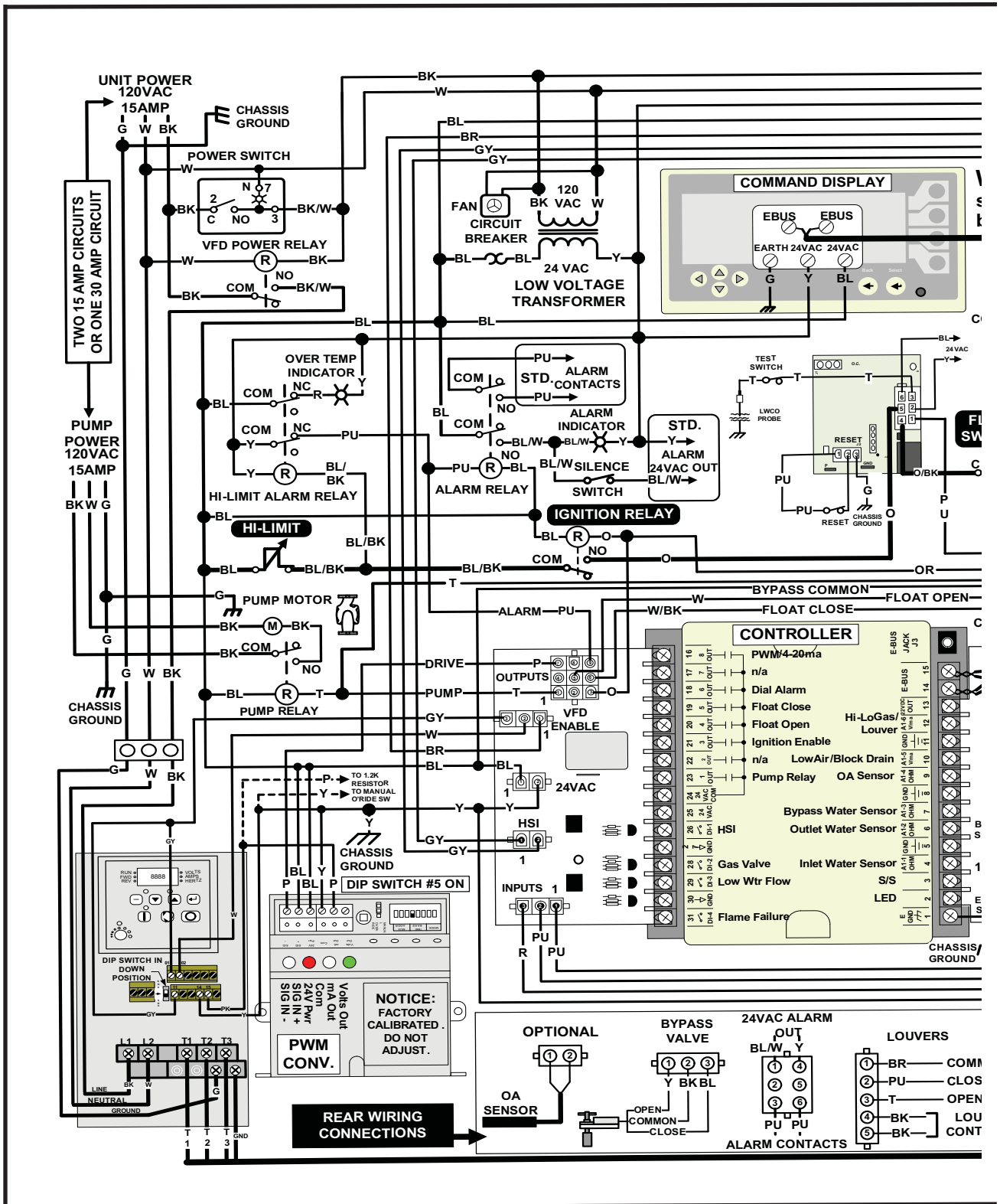




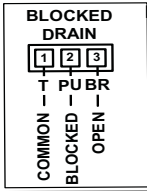
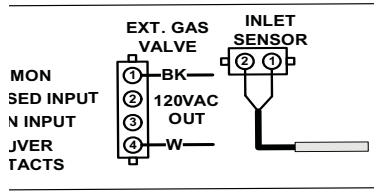
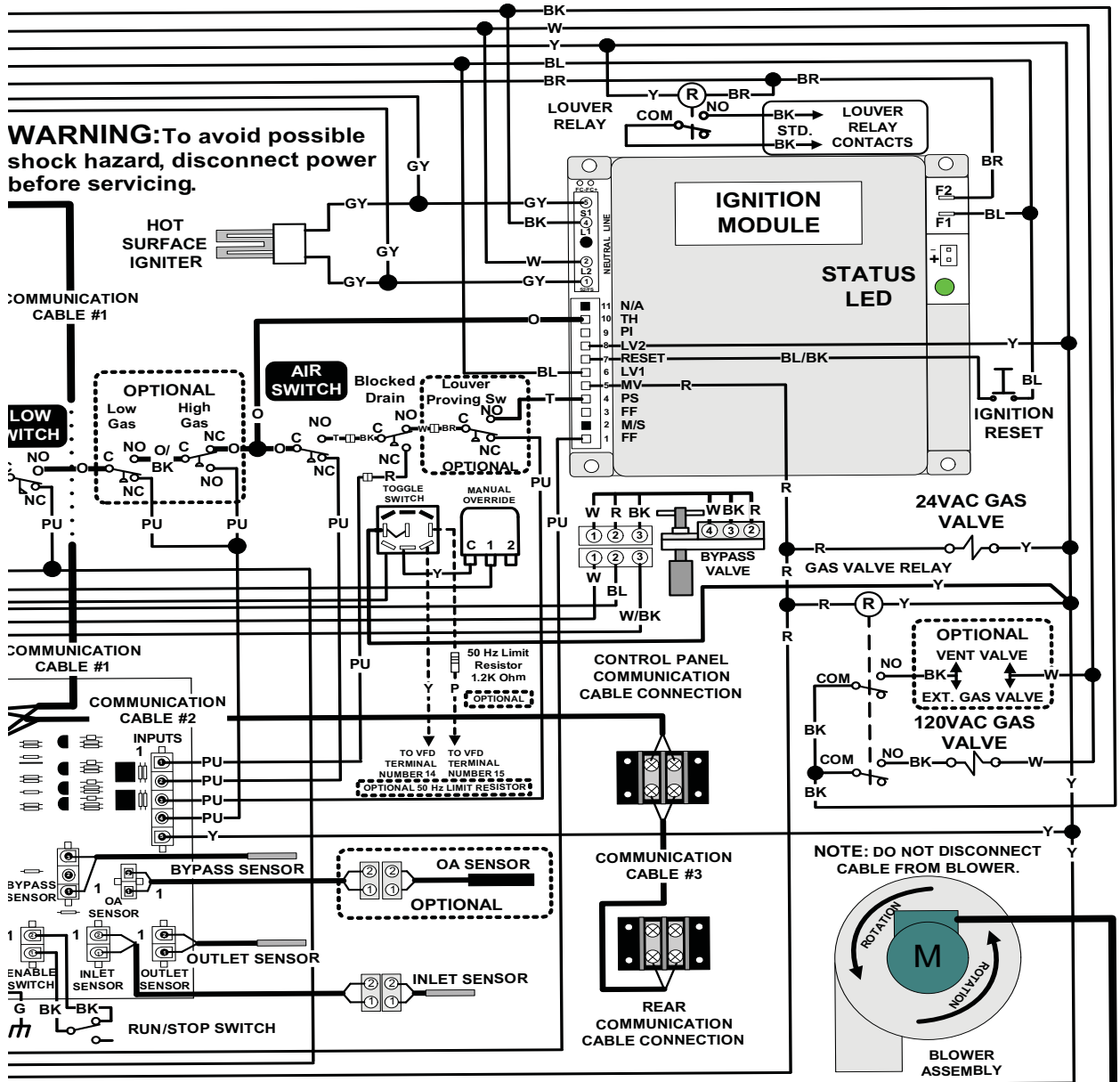
# WIRING DIAGRAM

## MODELS: IFB / IFW 1.3, 1.5 AND 2.0 BTU / HR



# WIRING DIAGRAM (CONTINUED)

## MODELS: IFB / IFW 1.3, 1.5 AND 2.0 BTU / HR



- NOTES:**
- (1) **WARNING:** To avoid possible shock hazard, disconnect power before servicing.
  - (2) Where possible, switches and circuitry are shown in power off state.
  - (3) When replacing wiring, use wire of equal or higher temperature and gage.
  - (4) Schematic shows electrical connections only. Please refer to wiring diagram in owner's manual for routing and pin-outs for all connector blocks.
  - (5) Pump delay is standard on water heaters.

# LBL90002 REV A