



Lochinvar[®]
High Efficiency Water Heaters, Boilers and Pool Heaters

INTELLI-FIN[®]
PACKAGE SYSTEM
Submittal Sheet

IFP-Sub-03

INTELLI-FIN[®] PREASSEMBLED GAS WATER HEATER PACKAGE SYSTEM
(1.5, 1.7 & 2.0 MBH MODELS)

JOB NAME _____
LOCATION _____
ARCH./ENGR. _____
WHOLESALE _____
MECH. CONTRACTOR _____
MODEL NO. _____
TYPE GAS _____
Btu/hr INPUT _____
RECOVERY RATE IN GPH _____ **@** _____ **°F RISE**
GALLON CAPACITY _____ **TANK LINING** _____
DIMENSIONS _____
NOTES

Standard Features

- Up to 97% Thermal Efficiency
- 25 - 100% Infinitely Proportional Firing Rate
- LonMark Building Management System Compatibility
- Command Display - 21 Point Diagnostic Control (One per Job Site)
- Variable Frequency Drive
- Digital Temperature Control Accurate to 1°F
- Alcomesh Burner with 5-Year Limited Warranty
- Low NOx Operation Exceeds the most Stringent Air Quality Requirements
- ASME Copper Finned Tube Heat Exchanger
- 160 psi Working Pressure
- Gasketless Heat Exchanger Design
- All Bronze Circulating Pump-Mounted and Wired
- Pump Delay
- Glass-Lined Water Surfaces
- Internal Stainless Steel Jacket
- Internal Corrosion Protection
- Low Gas Pressure Operation
- Zero Clearance to Combustible Materials
- Alarm Contacts on any Failure
- Contacts for Air Louver
- ASME Temperature & Pressure Relief Valve
- Down Stream Test Valve
- Adjustable High Limit w/ Manual Reset
- Flow Switch
- Small Footprint
- Whisper Quiet Operation
- 24 Volt Circuit Breaker
- Freeze Protection
- Construction Air Filter
- 5 Year Limited Warranty on Heat Exchanger (See warranty for details)

Optional Equipment

Place an X in the box by all options that apply

- Alarm Bell
- Additional Command Display
- Cupro-Nickel Heat Exchanger
- High Gas Pressure Switch w/ Manual Reset
- Low Gas Pressure Switch w/ Manual Reset
- Low Water Cut-Off
- Probe Type
- Probe Type Manual Reset w/ Test
- Neutralization Kit
- Remote Mount HIP

MONITORING

Part Number

- Local Monitoring via Personal Computer** SMP 3007
-includes serial LonTalk adapter & serial cable
- Remote Monitoring via Personal Computer** SMP 3006
-includes serial LonTalk adapter, approved network modem and adapter cable

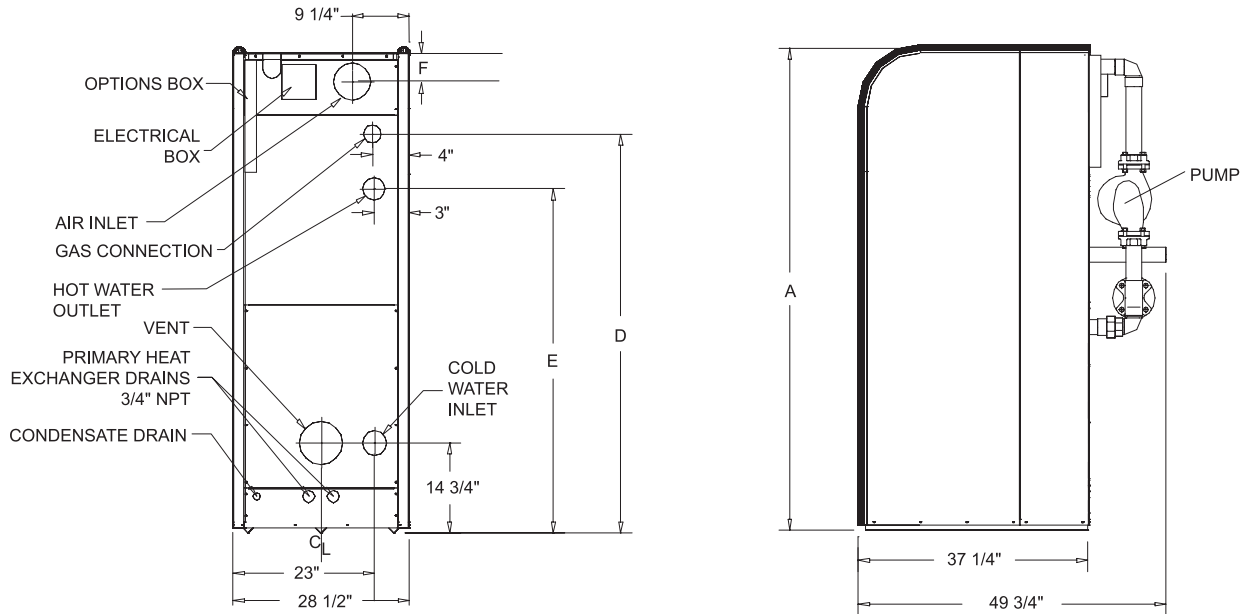
SEQUENCING

- Standard Sequencing Package:** SMP 3000
First On/Last Off
First On/First Off with Lead-Lag
- Custom Sequencing Package:** SMP 3003
Efficiency Optimization
Efficiency Optimization with Run Time Equalization
First On/Last Off
First On/First Off with Lead-Lag

Firing Control Systems

- M9 HSI (Standard)
- M13 GE GAP/FM/IRI
- M7 California Code

Intelli-Fin® Gas Water Heater Dimensions & Specifications



| Model Number | Btu/hr Input | GPH @ 100°F Rise | A | D | E | F | Air Inlet Size | Vent Size | Shipping Weight |
|--------------|--------------|------------------|---------|---------|---------|--------|----------------|-----------|-----------------|
| IWN1500 | 1,500,000 | 1,700 | 67-3/4" | 52-3/4" | 40-3/4" | 4-1/2" | 6" | 6" | 1,495 |
| IWN1700 | 1,700,000 | 1,927 | 72-1/4" | 57-1/4" | 45-1/4" | 4-1/2" | 7" | 7" | 1,545 |
| IWN2000 | 2,000,000 | 2,267 | 79" | 64" | 52" | 6-1/2" | 8" | 8" | 1,610 |

Notes: Change 'N' to 'L' for LP Gas Models. No deration on LP models. Performance data is based on manufacturer test results.
 All gas connections are 1-3/4" NPT. All water connections are 3".

Venting Options

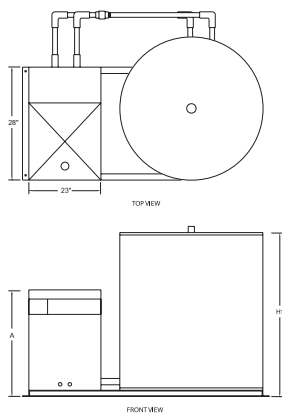
- DirectAire Vertical w/ Sidewall Inlet
- Intelli-Vent Horizontal
- Vertical
- Sidewall
- Direct Vent Horizontal
- Direct Vent Vertical
- Intelligent Venting Solutions

Amp Chart

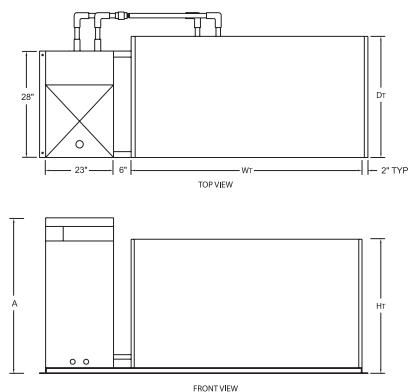
| Btu/hr Input | Blower & Controls | Pump | Approx. Total Amps@115VAC |
|--------------|-------------------|------|---------------------------|
| 1,500,000 | 5.5 | 8.8 | 14 |
| 1,750,000 | 7.1 | 8.8 | 16 |
| 2,000,000 | 7.1 | 8.8 | 16 |

Intelli-Fin® Gas Water Heater Package System Dimensions & Specifications

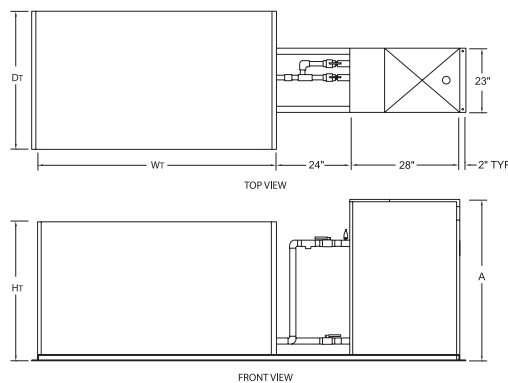
V1 Configuration



H1 Configuration



H2 Configuration



V1, H1 & H2 Configurations are standard with Round Jacketed Tanks

| Gallons | HORIZONTAL TANK DIMENSIONS | | | Weight |
|---------|----------------------------|----------------|----------------|--------|
| | H _T | W _T | D _T | |
| 300 | 50-1/2" | 78-1/4" | 42-1/4" | 1,700 |
| 400 | 50-1/2" | 102-1/4" | 42-1/4" | 2,250 |
| 500 | 56-1/2" | 90-3/4" | 48-1/4" | 2,450 |
| 600 | 56-1/2" | 114-1/4" | 48-1/4" | 3,350 |
| 700 | 56-1/2" | 130-1/4" | 48-1/4" | 4,000 |
| 800 | 62-1/2" | 124-1/4" | 54-1/4" | 4,800 |
| 1,000 | 62-1/2" | 138-1/4" | 54-1/4" | 5,100 |
| 1,250 | 68-1/2" | 130-1/4" | 60-1/4" | 5,900 |
| 1,500 | 77-1/2" | 126-1/4" | 66-1/4" | 6,500 |
| 2,000 | 80-1/2" | 138-1/4" | 72-1/4" | 9,000 |
| 2,500 | 86-1/2" | 144-1/4" | 78-1/4" | 10,000 |

| Gallon | VERTICAL TANK DIMENSIONS | | |
|--------|--------------------------|------|--------|
| | H _T | Dia. | Weight |
| 119 | 62-1/2" | 28" | 345 |
| 200 | 77-1/4" | 32" | 600 |
| 257 | 92" | 34" | 902 |
| 318 | 81" | 40" | 993 |
| 432 | 81" | 46" | 1,269 |
| 504 | 92" | 46" | 1,373 |

NOTE: Add heater dimensions to tank dimensions to get overall package dimensions or consult factory if measurements are critical.

All package systems are skid mounted.



Lochinvar®
High Efficiency Water Heaters, Boilers and Pool Heaters



Lochinvar Corporation • 300 Maddox Simpson Pkwy • Lebanon, TN 37090 • 615-889-8900 / Fax: 615-547-1000

www.Lochinvar.com