



**INTELLI-FIN®  
WATER HEATER  
Submittal Sheet**

**IFW-Sub-07**

**INTELLI-FIN® GAS WATER HEATERS**

**JOB NAME** \_\_\_\_\_

**LOCATION** \_\_\_\_\_

**ARCH./ENGR.** \_\_\_\_\_

**WHOLESALE** \_\_\_\_\_

**MECH. CONTRACTOR** \_\_\_\_\_

**MODEL NO.** \_\_\_\_\_ **TYPE GAS** \_\_\_\_\_

**Btu/hr INPUT** \_\_\_\_\_ **RECOVERY RATE IN GPH** \_\_\_\_\_ **@** \_\_\_\_\_ **°F RISE**

**Standard Features**

- Up to 97% Thermal Efficiency
- 25 - 100% Infinitely Proportional Firing Rate
- LonMark Building Management System Compatibility
- Command Display - 21 Point Diagnostic Control (One per Job Site)
- Variable Frequency Drive
- Digital Temperature Control Accurate to 1°F
- Alcomesh Burner with 5-Year Limited Warranty
- Low NOx Operation Exceeds the most Stringent Air Quality Requirements
- ASME Copper Finned Tube Heat Exchanger
- 160 psi Working Pressure
- Gasketless Heat Exchanger Design
- All Bronze Circulating Pump-Mounted and Wired
- Pump Delay
- Glass-Lined Water Surfaces
- Internal Stainless Steel Jacket
- Internal Corrosion Protection
- Low Gas Pressure Operation
- Zero Clearance to Combustible Materials
- Alarm Contacts on any Failure
- Contacts for Air Louver
- ASME Temperature & Pressure Relief Valve
- Down Stream Test Valve
- Adjustable High Limit w/ Manual Reset
- Flow Switch
- Small Footprint
- Whisper Quiet Operation
- 24 Volt Circuit Breaker
- Freeze Protection
- Construction Air Filter
- 5 Year Limited Warranty on Heat Exchanger (See warranty for details)

**Firing Control Systems**

- |    |                 |
|----|-----------------|
| M9 | HSI (Standard)  |
| M7 | California Code |

**Optional Equipment**

Place an X in the box by all options that apply

- |  |          |
|--|----------|
| Alarm Bell                               |          |
| Additional Command Display               |          |
| Cupro-Nickel Heat Exchanger              |          |
| High Gas Pressure Switch w/ Manual Reset |          |
| Low Gas Pressure Switch w/ Manual Reset  |          |
| Probe Type Manual Reset LWCO w/ Test     |          |
| Neutralization Kit                       | KIT 3046 |
| Remote Mount HIP                         | SMP 3008 |

**MONITORING**

Part Number

- |  |          |
|--|----------|
| <b>Local Monitoring via Personal Computer</b>                              | SMP 3007 |
| -includes serial LonTalk adapter & serial cable                            |          |
| <b>Remote Monitoring via Personal Computer</b>                             | SMP 3006 |
| -includes serial LonTalk adapter, approved network modem and adapter cable |          |

**SEQUENCING**

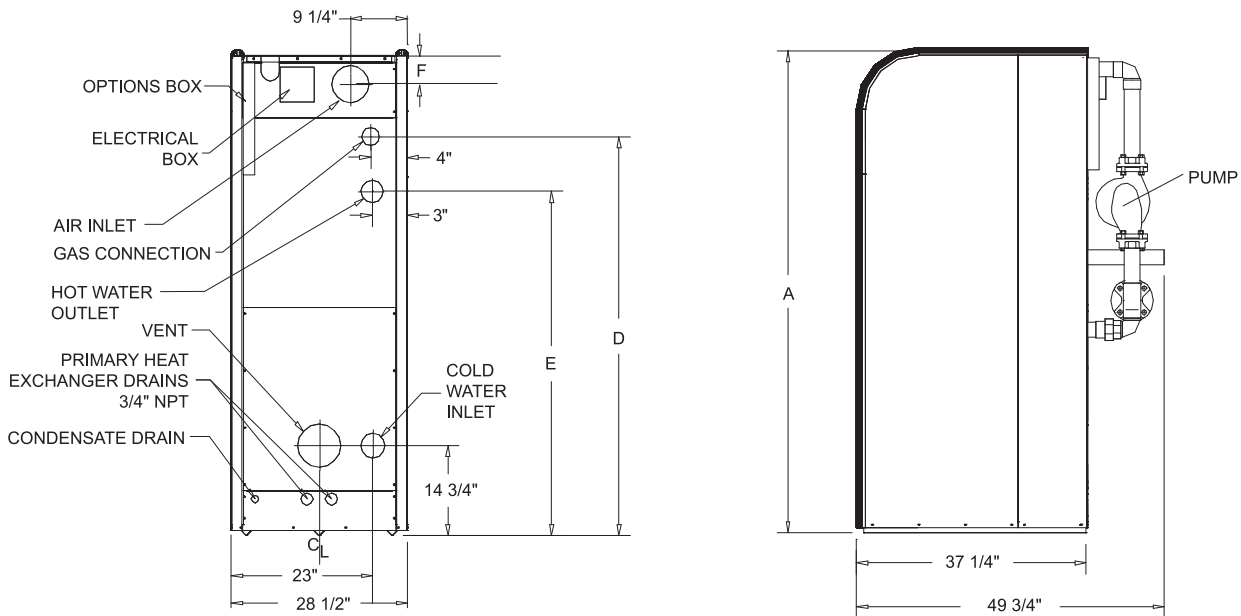
- |  |          |
|--|----------|
| <b>Standard Sequencing Package:</b>                | SMP 3000 |
| First On/Last Off                                  |          |
| First On/First Off with Lead-Lag                   |          |
| <b>Custom Sequencing Package:</b>                  | SMP 3003 |
| Efficiency Optimization                            |          |
| Efficiency Optimization with Run Time Equalization |          |
| First On/Last Off                                  |          |
| First On/First Off with Lead-Lag                   |          |

**Unit/Sequencer Programming**

	<b>Default Value</b>	<b>Up to</b>	<b>Desired</b>
Domain ID	44	16777215	_____
Node	1	127	_____
Subnet	1	255	_____
Unit Name	Water Htr #01	18 characters	_____
O. A. Lockout Temp	70 degrees	120 degrees	_____
Max O.A. Reset Temp	60 degrees	95 degrees	_____
Max Water Setpoint			
Water Heater (IW)	200 degrees	210 degrees	_____
Min. Setpoint	50 degrees	210 degrees	_____

**If no value is specified, unit/sequencer will be shipped with default values.**

# Intelli-Fin® Gas Water Heater Dimensions & Specifications



Model Number	Btu/hr Input	GPH @ 100°F Rise	A	D	E	F	Air Inlet Size	Vent Size	Shipping Weight
IWN1500	1,500,000	1,700	67-3/4"	52-3/4"	40-3/4"	4-1/2"	6"	6"	1,495
IWN1700	1,700,000	1,927	72-1/4"	57-1/4"	45-1/4"	4-1/2"	7"	7"	1,545
IWN2000	2,000,000	2,267	79"	64"	52"	6-1/2"	8"	8"	1,610

Notes: Change 'N' to 'L' for LP Gas Models. No deration on LP models. Performance data is based on manufacturer test results. All gas connections are 1-3/4" NPT. All water connections are 3".

## Venting Options

- DirectAire Vertical w/ Sidewall Inlet
- Intelli-Vent Horizontal
- Vertical
- Sidewall
- Direct Vent Horizontal
- Direct Vent Vertical
- Intelligent Venting Solutions

## Amp Chart

Btu/hr Input	Blower & Controls	Pump	Approx. Total Amps@115VAC
1,500,000	5.5	8.8	14
1,750,000	7.1	8.8	16
2,000,000	7.1	8.8	16

## NOTES



**Lochinvar®**  
High Efficiency Water Heaters, Boilers and Pool Heaters



Lochinvar Corporation • 300 Maddox Simpson Pkwy • Lebanon, TN 37090 • 615-889-8900 / Fax: 615-547-1000

www.Lochinvar.com