

**INDIRECT PLATE AND FRAME WATER HEATER**

**JOB NAME** \_\_\_\_\_

**LOCATION** \_\_\_\_\_

**ENGINEER** \_\_\_\_\_

**WHOLESALER** \_\_\_\_\_

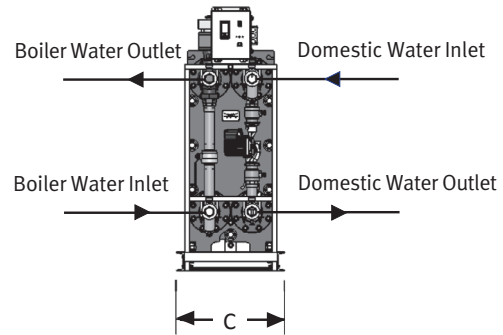
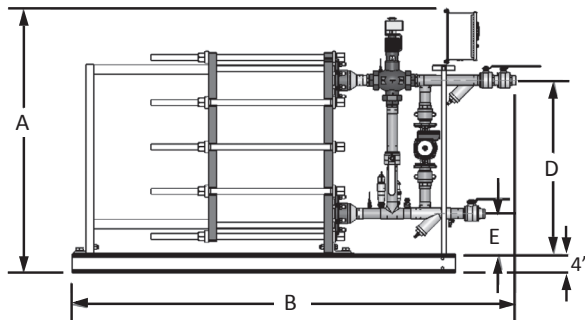
**CONTRACTOR** \_\_\_\_\_

**MODEL NO.** \_\_\_\_\_

**TYPE GAS** \_\_\_\_\_

**EQUIPMENT TAG** \_\_\_\_\_

**NOTES**



**Indirect Plate and Frame Dimensions and Specifications**

| Model Number | A   | B    | C   | D   | E  | Water Connections |
|--------------|-----|------|-----|-----|----|-------------------|
| IPW015DW     | 50" | 66"  | 17" | 31" | 6" | 1-1/4"            |
| IPW030DW     | 50" | 74"  | 17" | 31" | 6" | 1-1/4"            |
| IPW050DW     | 50" | 87"  | 17" | 31" | 6" | 2"                |
| IPW070DW     | 50" | 97"  | 17" | 31" | 6" | 2"                |
| IPW090DW     | 56" | 101" | 23" | 37" | 6" | 2"                |
| IPW105DW     | 56" | 107" | 23" | 37" | 6" | 2-1/2"            |
| IPW120DW     | 56" | 107" | 23" | 37" | 6" | 2-1/2"            |

**Standard Features**

- ASME Double Wall Heat Exchanger
  - 316L Stainless Steel
  - 150 psi Working Pressure
- Digital Display
  - Set Point Range 90°F to 180°F
- Advance Temperature Control
- Modulating Control Valve
- Scale Reduction Pump
- Automatic Air Vent
- ASME Temperature and Pressure Relief Valve
  - 210°F and 150 psi
- Adjustable High Limit
- Wye Strainers
- Isolation Valves
- Modbus Communication
- 5 Year Limited Warranty (See Warranty for Details)
- 1 Year Parts Warranty (See Warranty for Details)