



## Junior Electric Water Heaters

### Point-of-Use Models

Lochinvar's junior electric water heaters are available in models from 2 to 30 gallons. Various combinations of elements, wiring and voltages can be furnished to meet most applications. All models meet or exceed the NAECA and ASHRAE Energy Efficiency Standards. Every unit features a sophisticated design for high efficiency, low standby loss, high first hour delivery and money saving performance. All water heaters are triple tested during fabrication to ensure the highest standards of quality and performance for a long service life.

### Standard Features

- **Adjustable Thermostat Control** - for accurate, easy control of water temperature and safe operation.
- **Manual Reset High Limit Safety Control**
- **Glass-lined Steel Tank** - fused to the interior of the tank to assure a long life providing clean, clear hot water.
- **300 psi Test Pressure, 150 psi Working Pressure**
- **T&P Relief Valve Tapping**  
(T&P relief valve supplied with all models)
- **Non-CFC Foam Insulation** - A thick blanket of foam insulation reduces standby heat loss.
- **Factory Supplied Dielectric Water Connections** - provides an extra measure of tank protection and piping convenience.
- **Magnesium Tank Saver Anode** - high capacity anode provides protection from the effects of electrolytic corrosion.



- **All Models U.L. Listed**
- **4ft. Power Cord** (2 gallon model)
- **6 Year Limited Warranty\***  
(See warranty for details)

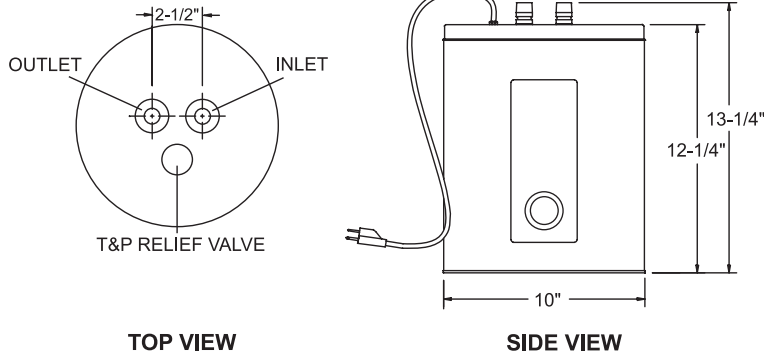
### Optional Equipment

- **Voltages available\*** — 120V, 208V, 240V
- **Adjustable Water Heater Shelf** — Heavy gauge steel shelves assemble 6 different ways for convenient wall mounting.

\* 3 year limited warranty on commercial applications  
♦ 2 gallon model 120V operation only.

# Junior Electric Water Heater Dimensions and Specifications

## 2 gallon model

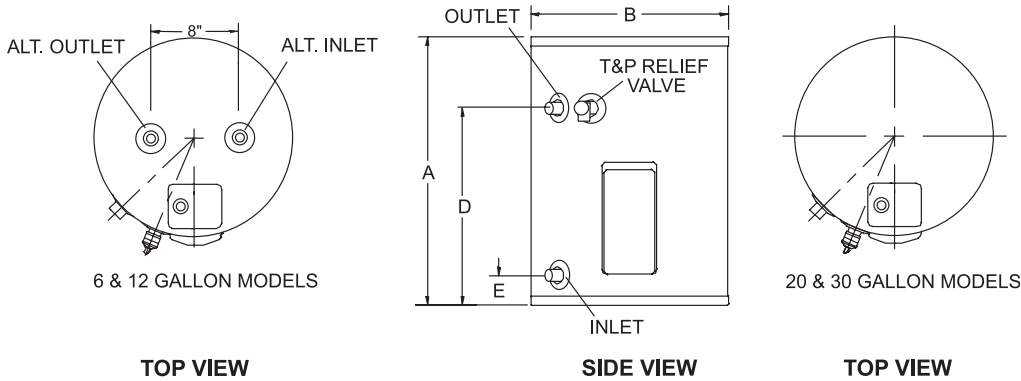


## Wattage Schedule and Recovery Rates

| Element | Wattage | Recovery Rate (GPH @ °F Rise) |    |    |    |    |    |     |  |
|---------|---------|-------------------------------|----|----|----|----|----|-----|--|
|         |         | 40                            | 50 | 60 | 70 | 80 | 90 | 100 |  |
| E       | 1500    | 16                            | 12 | 10 | 9  | 8  | 7  | 6   |  |
| F       | 2000    | 21                            | 17 | 14 | 12 | 10 | 9  | 8   |  |
| G       | 2500    | 26                            | 21 | 17 | 15 | 13 | 11 | 10  |  |
| H       | 3000    | 31                            | 25 | 21 | 18 | 16 | 14 | 12  |  |
| J       | 3500    | 36                            | 29 | 24 | 21 | 18 | 16 | 14  |  |
| L       | 4000    | 41                            | 33 | 28 | 24 | 21 | 18 | 17  |  |
| K       | 4500    | 47                            | 37 | 31 | 27 | 23 | 21 | 19  |  |
| M       | 5000    | 52                            | 41 | 34 | 30 | 26 | 23 | 21  |  |
| P       | 6000    | 62                            | 50 | 41 | 35 | 31 | 28 | 25  |  |

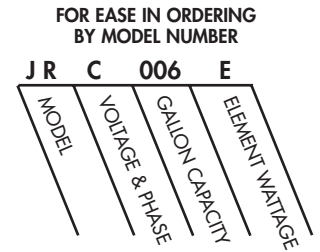
NOTE: Max wattage @120V is 3000W.

## 6 - 30 gallon models



| VOLTAGE SCHEDULE |         |
|------------------|---------|
| C                | 120V 1ø |
| J                | 208V 1ø |
| A                | 240V 1ø |

| Model Number | Gal. Cap. | A       | B   | D       | E       | Shipping Weight |
|--------------|-----------|---------|-----|---------|---------|-----------------|
| JRC002E*     | 2         | 12-1/4" | 10" | 13-1/4" | 13-1/4" | 14              |
| JRC006E      | 6         | 16-1/2" | 14" | 10-1/4" | 3"      | 33              |
| JRC012E      | 12        | 27-3/4" | 14" | 21-1/4" | 3"      | 48              |
| JRC020E      | 19        | 24-3/4" | 18" | 18-1/4" | 3"      | 59              |
| JRC031E      | 30        | 30"     | 22" | 23-1/2" | 4-1/2"  | 82              |



Notes: Standard wattage and voltage: 1500w / 120v.

Water connections are 3/4" NPT.

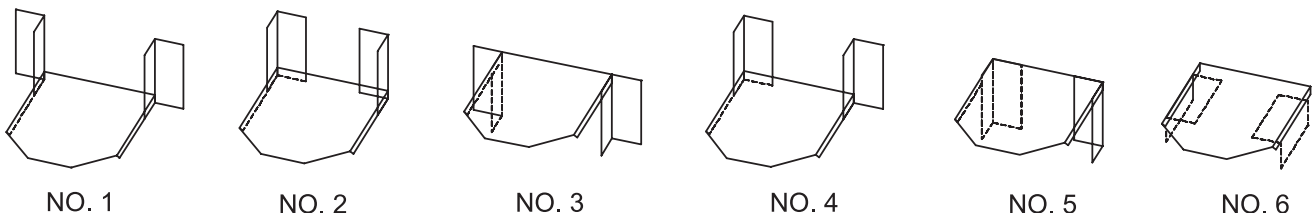
Maximum wattage for 6 and 12 gallon is 3000w.

Maximum wattage for 19 and 30 gallon is 6000w.

\* 2 gallon is available in 1500w / 120v only.

This heater is a Junior Electric Model that is 120 volts, 1 phase with a 6 gallon capacity and has a 1500 wattage heating element.

## Six Way Shelf Mountings - 2, 6 and 12 Gallon Models Only. (Part number JKT 3004)



Lochinvar Corporation • 300 Maddox Simpson Pkwy • Lebanon, TN 37090 • 615-889-8900 / Fax: 615-547-1000

www.Lochinvar.com