



Replacement Parts List

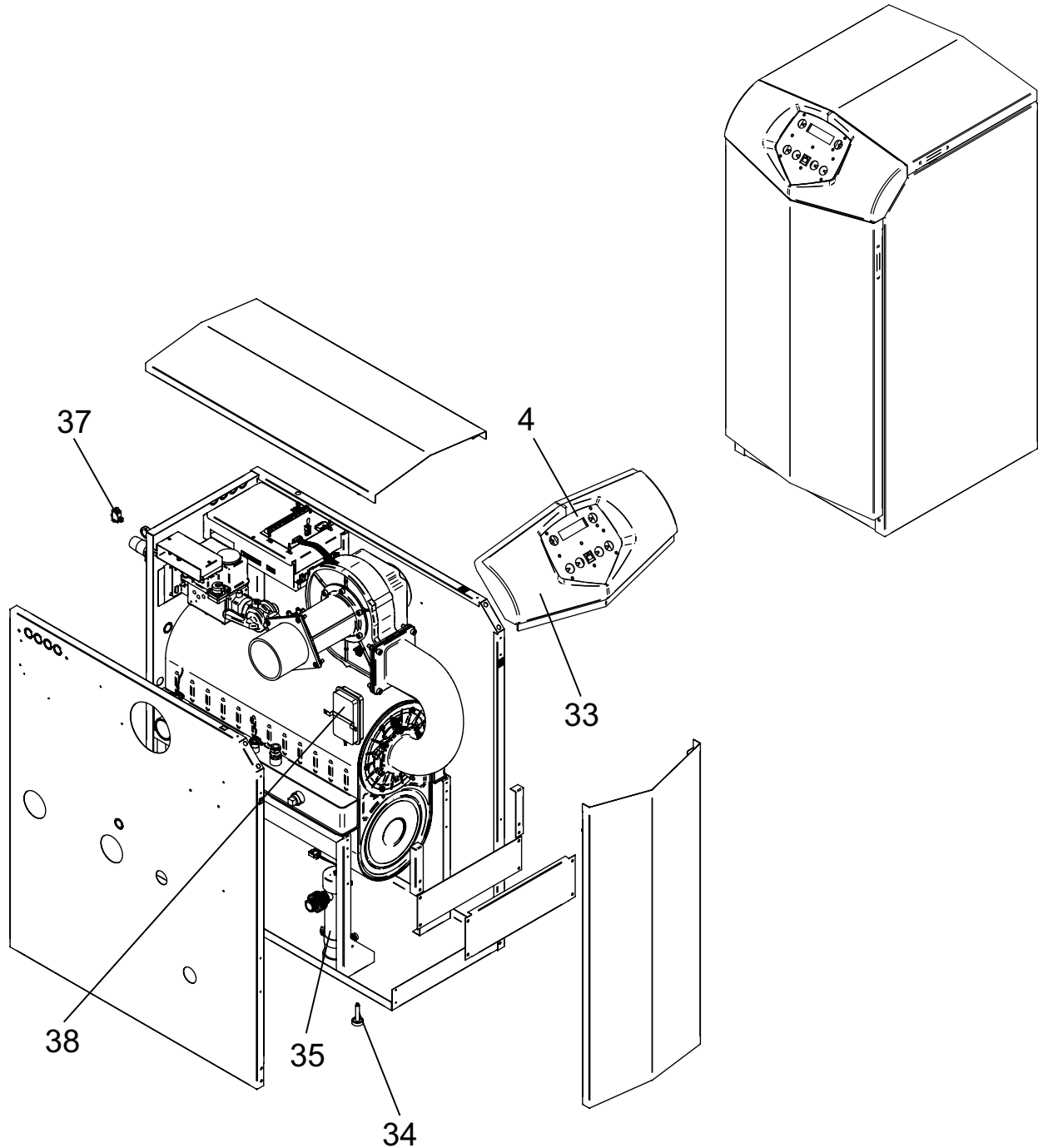
PARTS & SERVICE DEPARTMENT

Nashville, Tennessee

615-889-8900 / Fax: 615-547-1000

www.Lochinvar.com

Knight XL Heating Boilers KB 399 thru 800



| ITEM NO. | PART NO. | DESCRIPTION | MODEL NO. |
|--------------------------------------|-----------|---|----------------|
| HEAT EXCHANGER ASSEMBLY | | | |
| 1 | 100147457 | HEAT EXCHANGER | KBN399 |
| 1 | 100147458 | HEAT EXCHANGER | KBN500 |
| 1 | 100147460 | HEAT EXCHANGER | KBN600 |
| 1 | 100147461 | HEAT EXCHANGER | KBN700 |
| 1 | 100147462 | HEAT EXCHANGER | KBN800 |
| CONTROLS | | | |
| 2 | 100208501 | LOW VOLTAGE CONNECTION BOARD | ALL |
| 3 | 100167774 | INTEGRATED CONTROL | KBN399 |
| 3 | 100167769 | INTEGRATED CONTROL | KBN500 |
| 3 | 100167773 | INTEGRATED CONTROL | KBN600 - 800 |
| 3 | 100167777 | HIGH ALTITUDE INTEGRATED CONTROL | KBN399 |
| 3 | 100167778 | HIGH ALTITUDE INTEGRATED CONTROL | KBN500 |
| 3 | 100167779 | HIGH ALTITUDE INTEGRATED CONTROL | KBN600 - 800 |
| 4 | 100208461 | USER INTERFACE CONTROL | ALL |
| 5 | 100208493 | RELAY BOARD, 1.5 HP PUMP | ALL |
| 6 | 100208552 | INLET / OUTLET SENSOR | ALL |
| 7 | 100208569 | BULBWELL, INLET / OUTLET SENSOR | ALL |
| 8 | 100208173 | HIGH LIMIT (PRIOR TO SERIAL C08) | KBN399/500 |
| 8 | 100208174 | MANUAL RESET HIGH LIMIT (AFTER SERIAL C08 FOR KBN399/500) | ALL |
| 9 | 100167445 | AIR VENT VALVE | ALL |
| 10 | 100145008 | FAN ASSEMBLY | KBN399 |
| 10 | 100145007 | FAN ASSEMBLY (PRIOR TO SERIAL I07) | KBN500 |
| 10 | 100145009 | FAN ASSEMBLY (AFTER SERIAL I07) | KBN500 |
| 10 | 100145010 | FAN ASSEMBLY (PRIOR TO SERIAL C09) | KBN600-800 |
| 10 | 100144980 | FAN ASSEMBLY (BEGINNING SERIAL C09) | KBN600-800 |
| 11 | 100208101 | BLOWER / AIR ARM GASKET | KBN399 |
| 11 | 100208759 | BLOWER / AIR ARM GASKET | KBN500 |
| 12 | 100208089 | BLOWER / AIR ARM GASKET (PRIOR TO SERIAL I07 FOR KBN500) | KBN500-800 |
| GAS VALVES | | | |
| 13 | 100172006 | GAS VALVE ASSEMBLY | KBN399 |
| 13 | 100172008 | GAS VALVE ASSEMBLY NAT (PRIOR TO SERIAL I07) | KBN500 |
| 13 | 100172009 | GAS VALVE ASSEMBLY NAT (AFTER SERIAL I07) | KBN500 |
| 13 | 100172014 | GAS VALVE ASSEMBLY NAT | KBN600 |
| 13 | 100171923 | GAS VALVE ASSEMBLY NAT | KBN700 |
| 13 | 100172015 | GAS VALVE ASSEMBLY NAT | KBN800 |
| 13 | 100171927 | GAS VALVE ASSEMBLY LP (PRIOR TO SERIAL I07) | KBL500 |
| 13 | 100171928 | GAS VALVE ASSEMBLY LP (AFTER SERIAL I07) | KBL500 |
| 13 | 100171929 | GAS VALVE ASSEMBLY LP | KBL600 |
| 13 | 100171930 | GAS VALVE ASSEMBLY LP | KBL700 |
| 13 | 100171931 | GAS VALVE ASSEMBLY LP | KBL800 |
| 14 | 100208105 | GAS VALVE GASKET | KBN600-800 |
| 15 | 100146149 | GAS CUT OFF VALVE 1X1 (PRIOR TO SERIAL I07) | KBN500 |
| 15 | 100146149 | GAS CUT OFF VALVE 1X1 | KBN399,600-800 |
| 16 | 100146148 | GAS CUT OFF VALVE 3/4 X 3/4 (AFTER SERIAL I07) | KBN500 |
| 17 | 100208761 | GASKET, VENTURI | KBN399 |
| 17 | 100233703 | AIR SHROUD GASKET (AFTER SERIAL I07) | KBN500 |
| 17 | 100233694 | GASKET, VENTURI | KBN600-800 |
| 18 | 100163254 | AIR INLET KIT | KBN399 |
| 18 | 100163256 | AIR INLET KIT (AFTER SERIAL I07) | KBN500 |
| 18 | 100163255 | AIR INLET KIT (PRIOR TO SERIAL I07 FOR KBN500) | KBN500-800 |
| PILOT & BURNER ASSEMBLIES | | | |
| 19 | 100165930 | FLAME SENSOR W/ GASKET | KBN399/500 |
| 19 | 100165931 | FLAME SENSOR W/ GASKET | KBN600-800 |
| 20 | 100208091 | GASKET, FLAME SENSOR | ALL |
| 21 | 100165929 | IGNITOR W/ GASKET | KBN399/500 |
| 21 | 100165920 | IGNITOR W/ GASKET | KBN600-800 |
| 22 | 100208086 | GASKET, IGNITOR | ALL |

PLEASE HAVE SERIAL NUMBER WHEN ORDERING PARTS.

| ITEM NO. | PART NO. | DESCRIPTION | MODEL NO. |
|--|-----------|---|------------|
| PILOT & BURNER ASSEMBLIES (CONTINUED) | | | |
| 23 | 100135311 | BURNER W/ GASKET | KBN399/500 |
| 23 | 100135313 | BURNER W/ GASKET | KBN600 |
| 23 | 100135314 | BURNER W/ GASKET | KBN700 |
| 23 | 100135315 | BURNER W/ GASKET | KBN800 |
| 24 | 100208085 | GASKET, BURNER | KBN399/500 |
| 24 | 100233594 | GASKET, BURNER | KBN600-800 |
| 25 | 100173792 | GAS / AIR ARM ASSEMBLY W/ GASKET | KBN399 |
| 25 | 100173793 | GAS / AIR ARM ASSEMBLY W/ GASKET | KBN500 |
| 25 | 100173798 | GAS / AIR ARM ASSEMBLY W/ GASKET | KBN600-800 |
| 26 | 100173794 | HEAT EXCHANGER ACCESS DOOR KIT | KBN399/500 |
| 26 | 100173799 | HEAT EXCHANGER ACCESS DOOR KIT | KBN600-800 |
| MISCELLANEOUS | | | |
| 27 | 100163249 | SIGHT GLASS | ALL |
| 28 | 100208762 | GASKET, SIGHT GLASS | ALL |
| 29 | 100208502 | RELAY, 1.5 HP PUMP | ALL |
| 30 | 100208061 | DIVIDER PLATE, INSULATION BAFFLE | ALL |
| 31 | 100208060 | BURNER PLATE, INSULATION, DOOR | KBN399/500 |
| 31 | 100208059 | BURNER PLATE, INSULATION, DOOR | KBN600-800 |
| 32 | 100208088 | GASKET DOOR RUBBER | KBN399/500 |
| 32 | 100208093 | GASKET DOOR RUBBER | KBN600-800 |
| 33 | 100208320 | DISPLAY BEZEL | ALL |
| 34 | 100134788 | LEVELING LEGS | ALL |
| 35 | 100163244 | CONDENSATE TRAP | ALL |
| | 100208243 | BLOCKED DRAIN SWITCH | ALL |
| 36 | 100233613 | BULB WELL, HIGH LIMIT | ALL |
| 37 | 100208242 | ON / OFF SWITCH | ALL |
| 38 | 100208378 | PRESSURE SWITCH | KBN399 |
| 38 | 100208393 | PRESSURE SWITCH | KBN600/700 |
| 38 | 100166151 | PRESSURE SWITCH | KBN500/800 |
| | 100208454 | RELIEF VALVE 50 PSI | KBN399-600 |
| | 100208442 | RELIEF VALVE 50 PSI | KBN700/800 |
| | 100208807 | FUSE, 1.25 AMP | ALL |
| | 100208231 | FUSE, 3.15 AMP | ALL |
| | 100208232 | FUSE, 5 AMP | ALL |
| | 100208653 | FLOW SWITCH | ALL |
| | 100163053 | HIGH VOLTAGE CONNECTION BOARD | ALL |
| | 100208834 | OUTDOOR AIR SENSOR | ALL |
| | 100208152 | GAUGE TRIOMETER, 75# PSI | ALL |
| | 100170652 | FLUE TEMP SENSOR KIT | ALL |
| | 100157718 | SYSTEM SENSOR | ALL |
| | 100157720 | ADJUSTABLE MANUAL RESET HIGH LIMIT | ALL |
| | 100208652 | MRLWCO WITH TEST | ALL |
| | 100157721 | NEUTRALIZER KIT | KBN399/500 |
| | 100157700 | NEUTRALIZER KIT | KBN600-800 |
| | 100157719 | ALARM BELL | ALL |
| | 100159011 | LP CONVERSION KIT | KBN399 |
| | 100159012 | LP CONVERSION KIT (AFTER SERIAL I07 FOR KBN500) | KBN500-800 |
| | 100172754 | HARNESS, CONNECTION BOARD | ALL |
| | 100208618 | HARNESS, SPARK ELECTRODE | KBN399-500 |
| | 100208623 | HARNESS, SPARK ELECTRODE | KBN600-800 |
| | 100208636 | CABLE, RIBBON | KBN399-500 |
| | 100208638 | CABLE, RIBBON | KBN600-800 |
| | 100173091 | HARNESS, GAS VALVE | KBN399 |
| | 100173314 | HARNESS, GAS VALVE | KBN500 |
| | 100172958 | HARNESS, GAS VALVE | KBN600-800 |
| | 100208622 | HARNESS, FLAME SENSE ELECTRODE | ALL |
| | 100173107 | HARNESS, POWER | ALL |
| | 100173110 | HARNESS, UNIT | KBN399-500 |
| | 100173106 | HARNESS, UNIT | KBN600-800 |

PLEASE HAVE SERIAL NUMBER WHEN ORDERING PARTS.