

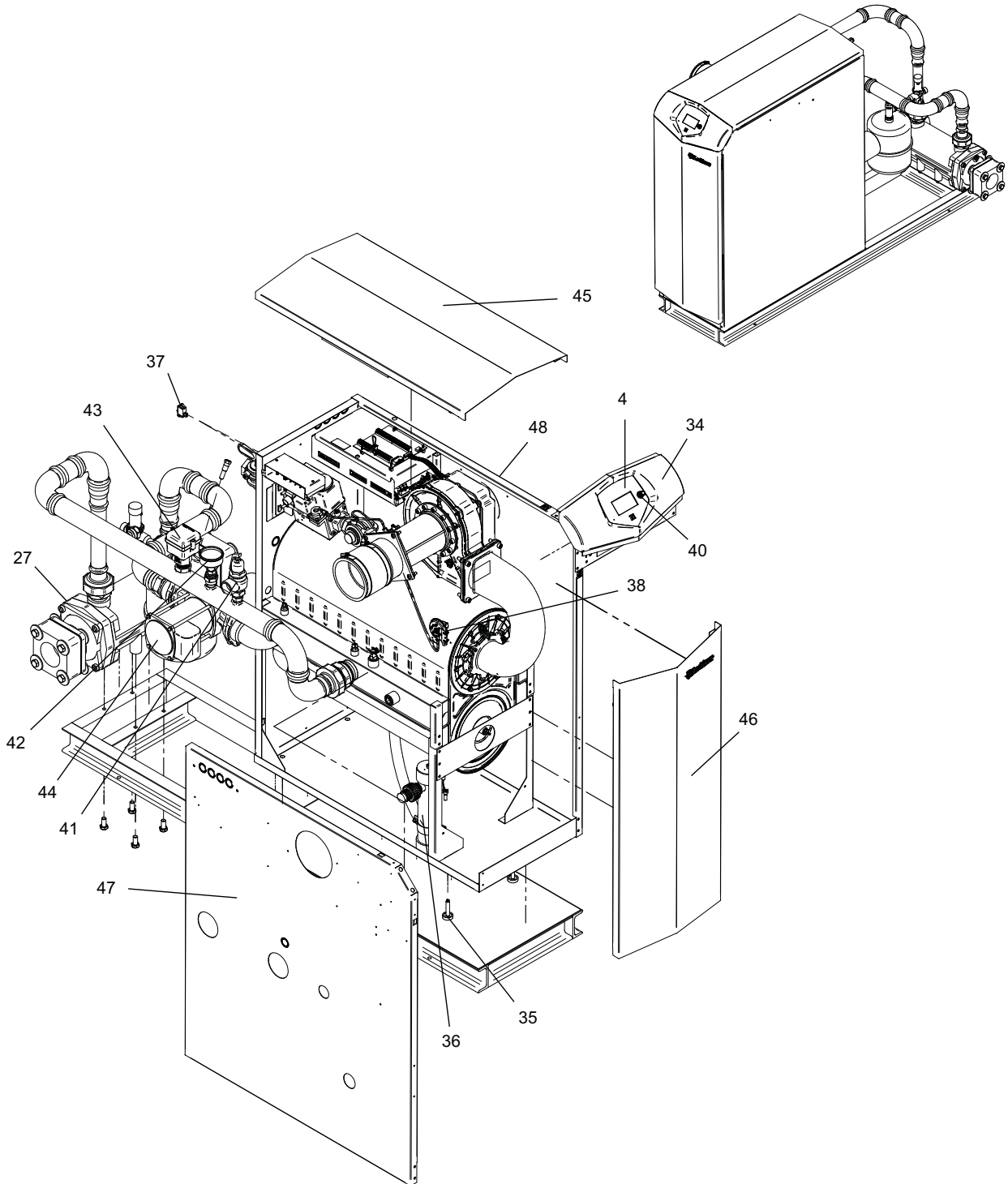


Lochinvar®

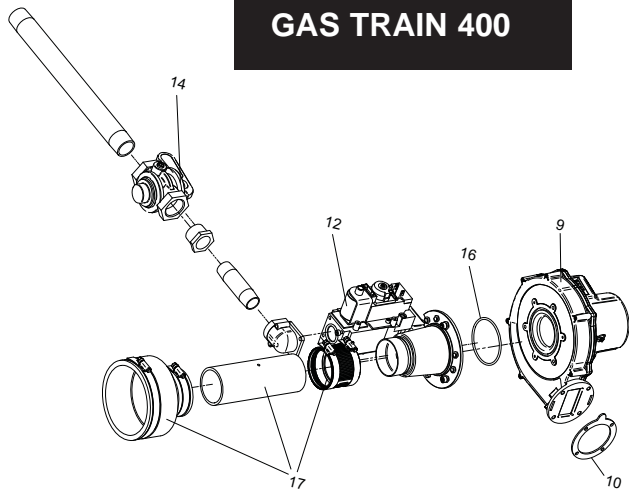
PARTS & SERVICE DEPARTMENT
 Nashville, Tennessee
 615-889-8900 • Fax: 615-882-2918
 parts_team@lochinvar.com
 www.Lochinvar.com

Replacement Parts List

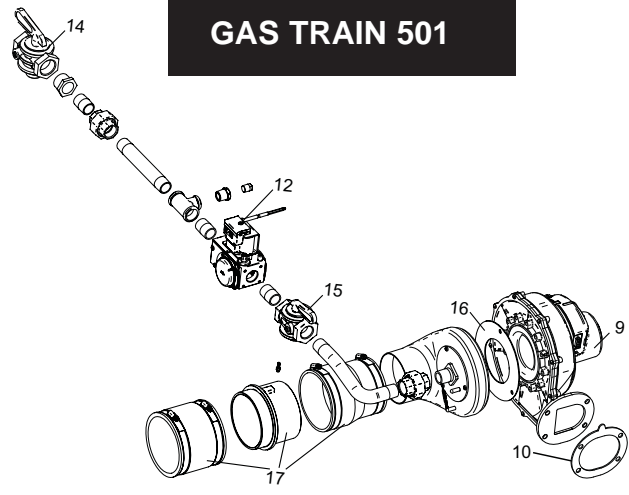
KnightXL®
AQUAS™ COMMERCIAL POOL PACKAGE
XPN 400 - 801



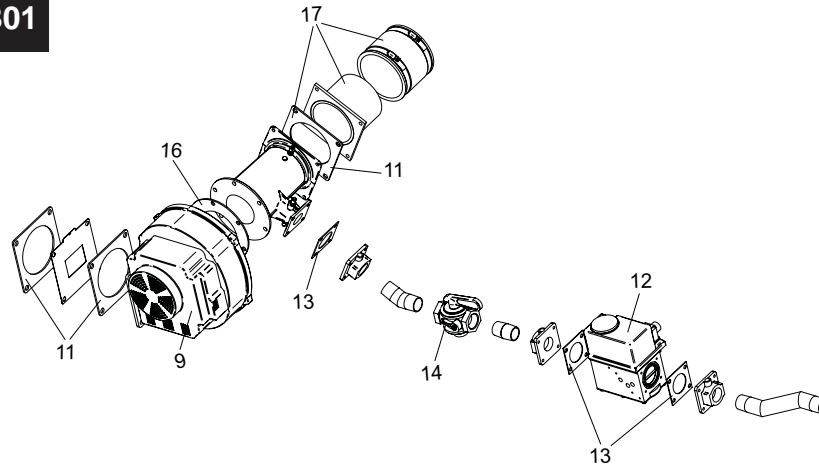
GAS TRAIN 400



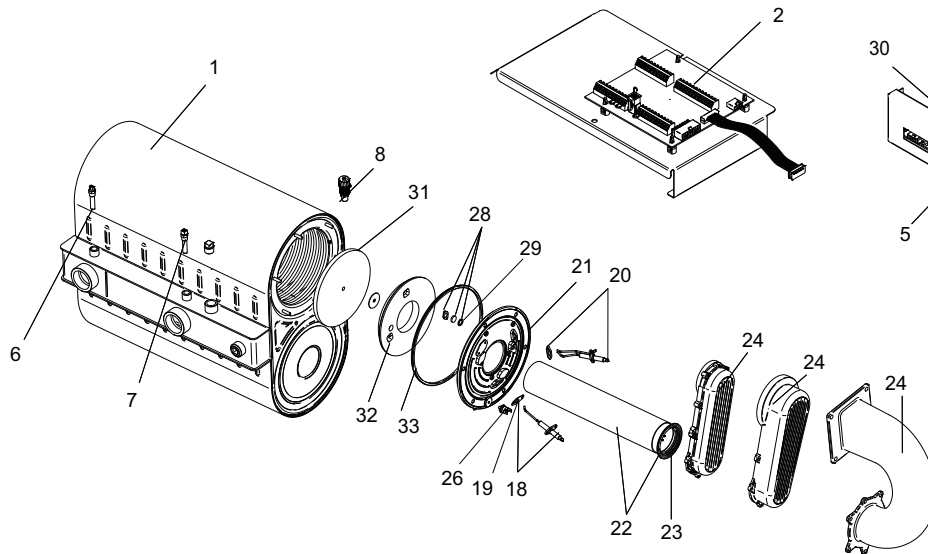
GAS TRAIN 501



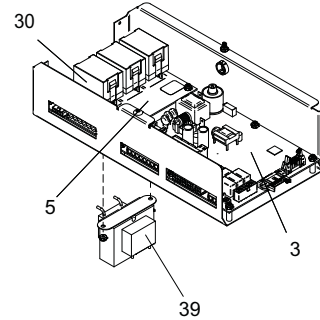
GAS TRAIN 601-801



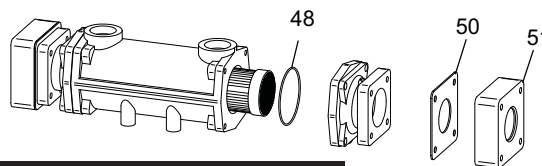
PRIMARY HEAT EXCHANGER



CONTROL PANEL



SECONDARY/AUXILIARY HEAT EXCHANGER



IMG00950

ITEM NO.	PART NO.	DESCRIPTION	MODEL
HEAT EXCHANGER ASSEMBLY			
1	HEX3081	HEAT EXCHANGER	XPN400
1	HEX3082	HEAT EXCHANGER	XPN501
1	HEX3088	HEAT EXCHANGER	XPN601
1	HEX3089	HEAT EXCHANGER	XPN701
1	HEX3090	HEAT EXCHANGER	XPN801
CONTROLS			
2	RLY20062	LOW VOLTAGE CONNECTION BOARD	ALL
3	RLY30058	INTEGRATED CONTROL PRIOR TO SERIAL #H10	XPN400
3	RLY30072	INTEGRATED CONTROL BEGINNING SERIAL #H10	XPN400
3	RLY30059	INTEGRATED CONTROL PRIOR TO SERIAL #H10	XPN501
3	RLY30073	INTEGRATED CONTROL BEGINNING SERIAL #H10	XPN501
3	RLY30060	INTEGRATED CONTROL PRIOR TO SERIAL #H10	XPN601 - 801
3	RLY30074	INTEGRATED CONTROL BEGINNING SERIAL #H10	XPN601 - 801
4	RLY20058	USER INTERFACE CONTROL	ALL
5	RLY2085	RELAY BOARD, 1.5 HP PUMP	ALL
6	TST2060	INLET SENSOR	ALL
7	TST20009	OUTLET SENSOR/ HIGH LIMIT	ALL
8	RLV30000	AIR VENT VALVE	ALL
9	FAN3035	FAN ASSEMBLY	XPN400
9	FAN3037	FAN ASSEMBLY	XPN501
9	FAN30001	FAN ASSEMBLY	XPN601 - 801
10	GKT2436	BLOWER/AIR ARM GASKET	XPN400
10	GKT2438	BLOWER/AIR ARM GASKET	XPN501
11	GKT2034	BLOWER/AIR ARM GASKET	XPN601 - 801
GAS VALVES			
12	VAL3204	GAS VALVE ASSEMBLY	XPN400
12	VAL3207	GAS VALVE ASSEMBLY NAT	XPN501
12	VAL3212	GAS VALVE ASSEMBLY NAT	XPN601
12	VAL30006	GAS VALVE ASSEMBLY NAT	XPN701
12	VAL3213	GAS VALVE ASSEMBLY NAT	XPN801
12	VAL30011	GAS VALVE ASSEMBLY LP	XPN501
12	VAL30012	GAS VALVE ASSEMBLY LP	XPN601
12	VAL30013	GAS VALVE ASSEMBLY LP	XPN701
12	VAL30014	GAS VALVE ASSEMBLY LP	XPN801
13	GKT2050	GAS VALVE GASKET	XPN601 - 801
14	GAC2029	GAS CUT OFF VALVE 1X1	XPN400, 601-801
15	GAC2028	GAS CUT OFF VALVE 3/4 X 3/4	XPN501
16	GKT2444	GASKET, VENTURI	XPN400
16	GKT2080	AIR SHROUD GASKET	XPN501
16	GKT2049	GASKET, VENTURI	XPN601 - 801
17	MSC3185	AIR INLET KIT	XPN400
17	MSC3187	AIR INLET KIT	XPN501
17	MSC3186	AIR INLET KIT	XPN601 - 801
PILOT & BURNER ASSEMBLIES			
18	PLT3022	FLAME SENSOR W/ GASKET	XPN400/501
18	PLT3023	FLAME SENSOR W/ GASKET	XPN601 - 801
19	GKT2450	GASKET, FLAME SENSOR	ALL
20	PLT3021	IGNITOR W/ GASKET	XPN400/501
20	PLT30000	IGNITOR W/ GASKET	XPN601 - 801
21	GKT2449	GASKET, IGNITOR	ALL
22	BNR3429	BURNER W/ GASKET	XPN400/501
22	BNR3432	BURNER W/ GASKET	XPN601
22	BNR3433	BURNER W/ GASKET	XPN701
22	BNR3434	BURNER W/ GASKET	XPN801
23	GKT2451	GASKET, BURNER	XPN400/501
23	GKT2062	GASKET, BURNER	XPN601 - 801
24	WTR3078	GAS/AIR ARM ASSEMBLY W/ GASKET	XPN400
24	WTR3079	GAS/AIR ARM ASSEMBLY W/ GASKET	XPN501
24	WTR3085	GAS/AIR ARM ASSEMBLY W/ GASKET	XPN601 - 801
25	WTR3080	HEAT EXCHANGER ACCESS DOOR KIT	XPN400/501
25	WTR3086	HEAT EXCHANGER ACCESS DOOR KIT	XPN601 - 801
INDIRECT HEAT EXCHANGER			
26	HLC20005	HEX DOOR TEMP SWITCH BEGINNING SERIAL # F14	ALL
27	HEX30007	HEAT EXCHANGER, INDIRECT	XPN400 - 601
27	HEX30008	HEAT EXCHANGER, INDIRECT	XPN701 - 801

PLEASE HAVE MODEL AND SERIAL NUMBER WHEN ORDERING PARTS

ITEM NO.	PART NO.	DESCRIPTION	MODEL
MISCELLANEOUS			
28	MSC3180	SIGHT GLASS	ALL
29	GKT2453	GASKET, SIGHT GLASS	ALL
30	RLY2222	RELAY, 1.5 HP PUMP	ALL
31	FIB2167	DIVIDER PLATE, INSULATION BAFFLE	ALL
32	FIB2168	BURNER PLATE, INSULATION, DOOR	XPN400/501
32	FIB2146	BURNER PLATE, INSULATION, DOOR	XPN601 - 801
33	GKT2455	GASKET DOOR RUBBER	XPN400/501
33	GKT2063	GASKET DOOR RUBBER	XPN601 - 801
34	MSC2177	DISPLAY BEZEL	ALL
35	BLT2104	LEVELING LEGS	ALL
36	MSC30050	CONDENSATE TRAP	ALL
-	SWT2011	BLOCKED DRAIN SWITCH	ALL
37	SWT2006	ON/OFF SWITCH	ALL
38	PRS20002	PRESSURE SWITCH	XPN400
38	PRS20020	PRESSURE SWITCH	XPN501
38	PRS20019	PRESSURE SWITCH	XPN601 - 801
39	TRF20000	TRANSFORMER, 40VA	XPN400-701
39	TRF20002	TRANSFORMER, 60VA	XPN801
40	MSC20123	KNOB, FLUTED W/ SKIRT	ALL
41	RLV2002	RELIEF VALVE 30 PSI	ALL
42	GTP2900	GAUGE TRIOMETER, 75# PSI	ALL
43	WTR2210	FLOW SWITCH	ALL
-	FUS20001	0.8 AMP	ALL
-	FUS2001	3.15 AMP	ALL
-	FUS2002	5 AMP	ALL
-	MSC2514	HIGH VOLTAGE CONNECTION BOARD	ALL
-	TST30011	FLUE TEMP SENSOR KIT	ALL
-	KIT3078	SYSTEM SENSOR KIT	ALL
-	WTR20009	MRLWCO WITH TEST	ALL
-	KIT3087	NEUTRALIZER KIT	XPN400/501
-	KIT3046	NEUTRALIZER KIT	XPN601 - 801
-	KIT3085	ALARM BELL	ALL
-	LPK3949	LP CONVERSION KIT	XPN400
-	LPK3950	LP CONVERSION KIT	XPN501-801
-	TST2032	SYSTEM SENSOR	ALL
-	TST2044	BULB WELL 1/4"	ALL
-	HLC30000	LIMIT, HEAT EXCHANGER OVER TEMP	ALL
PUMP			
44	PUM30013	PUMP PRIOR TO SERIAL #D12	XPN400-601
44	PUM30020	PUMP AFTER SERIAL #D12	XPN400-501
44	PUM3013	PUMP PRIOR TO SERIAL #D12	XPN701-801
44	PUM30018	PUMP AFTER SERIAL #D12	XPN601-801
JACKET ASSEMBLY			
45	JKB30009	JACKET, TOP	XPN400
45	JKB30010	JACKET, TOP	XPN501
45	JKB30011	JACKET, TOP	XPN601
45	JKB30012	JACKET, TOP	XPN701
45	JKB40030	JACKET, TOP	XPN801
46	JKB30116	JACKET, FRONT	ALL
47	JKB40102	JACKET, LEFT SIDE	XPN400
47	JKB40084	JACKET, LEFT SIDE	XPN501
47	JKB40085	JACKET, LEFT SIDE	XPN601
47	JKB40086	JACKET, LEFT SIDE	XPN701
47	JKB40087	JACKET, LEFT SIDE	XPN801
48	JKB60250	JACKET, RIGHT SIDE	XPN400
48	JKB60258	JACKET, RIGHT SIDE	XPN501
48	JKB60263	JACKET, RIGHT SIDE	XPN601
48	JKB60265	JACKET, RIGHT SIDE	XPN701
48	JKB60267	JACKET, RIGHT SIDE	XPN801
49	GKT30002	GASKET, O-RING	XPN400-601
49	GKT30003	GASKET, O-RING	XPN701-801
50	GKT30010	GASKET, FLANGE	XPN400-601
50	GKT30011	GASKET, FLANGE PRIOR TO SERIAL #H13	XPN701-801
50	GKT30016	GASKET, FLANGE AFTER SERIAL #H13	XPN701-801
51	PVC20103	FLANGE, 3" CPVC	XPN400-601
51	PVC20039	FLANGE, 3" CPVC PRIOR TO SERIAL #H13	XPN701-801
51	PVC20100	FLANGE, 3" CPVC AFTER SERIAL #H13	XPN701-801

PLEASE HAVE MODEL AND SERIAL NUMBER WHEN ORDERING PARTS