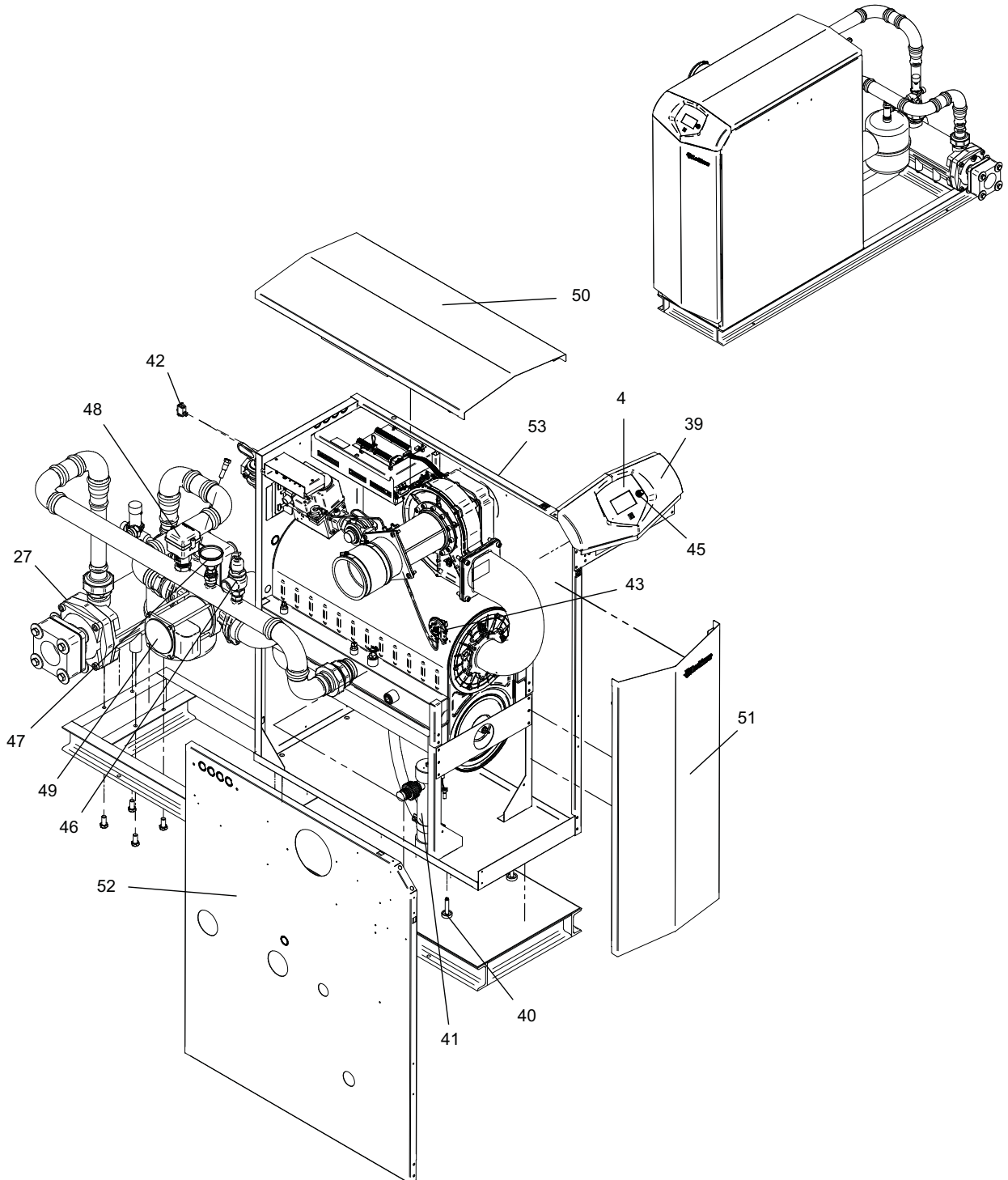




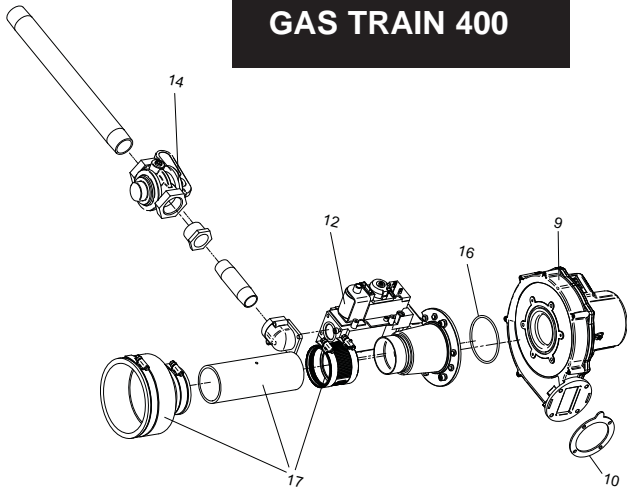
Replacement Parts List

PARTS & SERVICE DEPARTMENT
Nashville, Tennessee
615-889-8900 • Fax: 615-882-2918
parts_team@lochinvar.com
www.Lochinvar.com

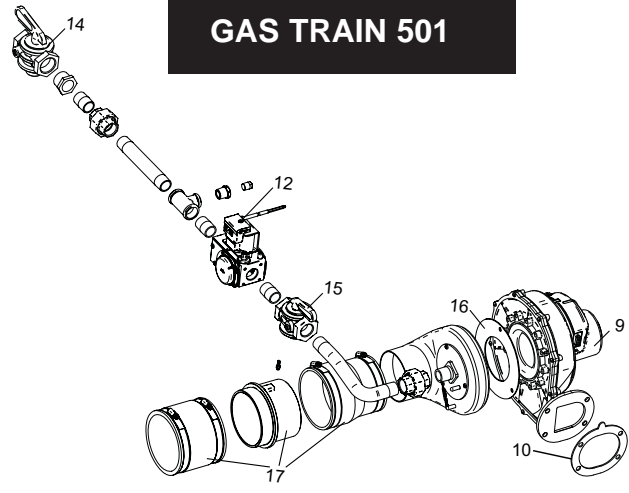
KnightXL® **AQUAS™ COMMERCIAL POOL PACKAGE** **XPN 400 - 801**



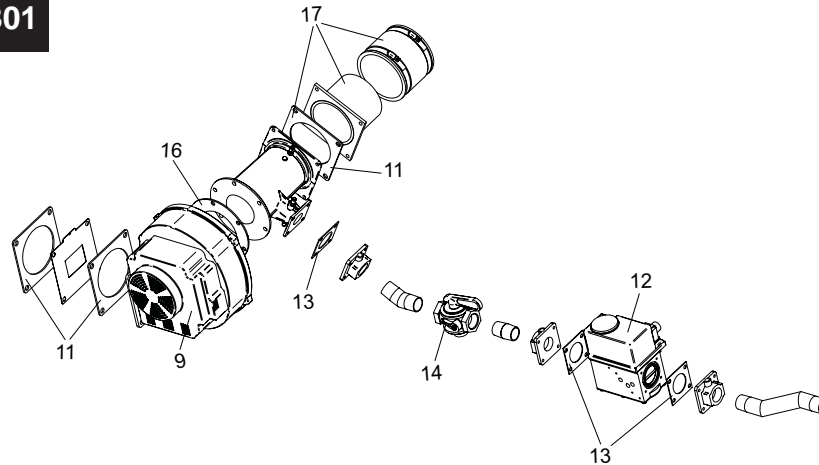
GAS TRAIN 400



GAS TRAIN 501

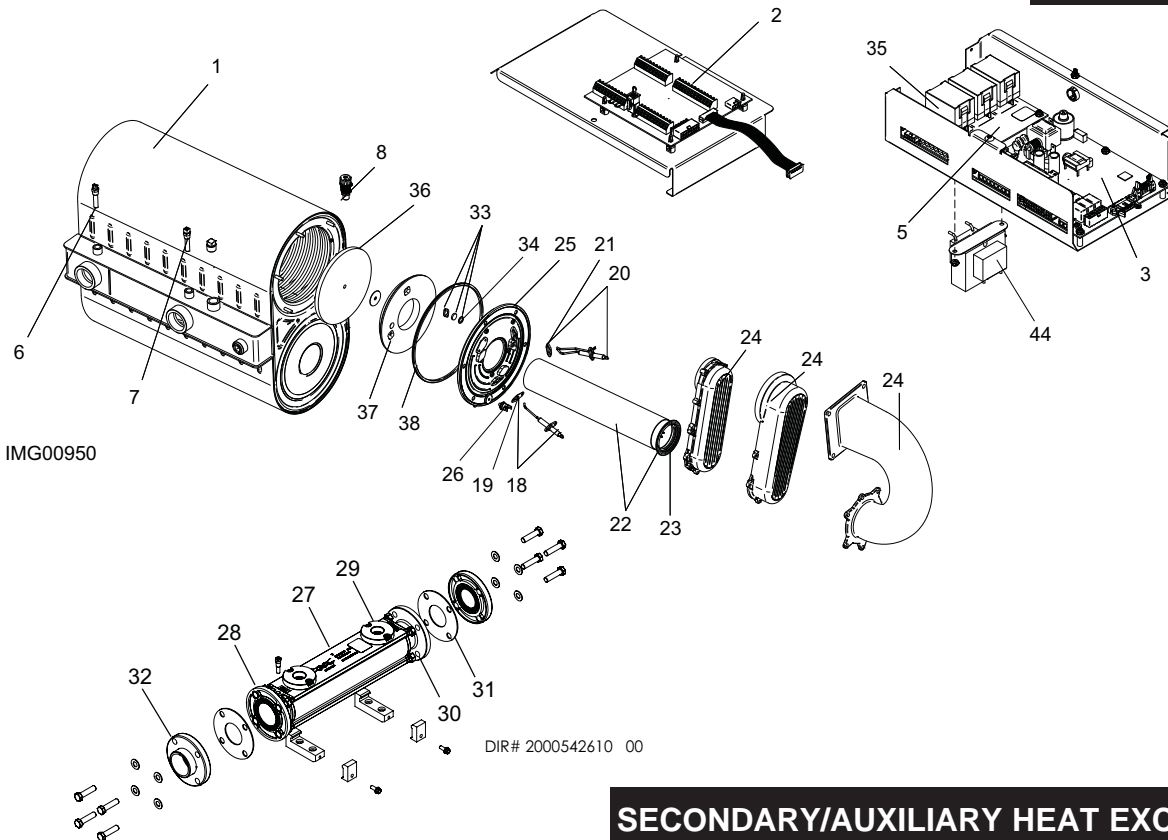


GAS TRAIN 601-801



PRIMARY HEAT EXCHANGER

CONTROL PANEL



SECONDARY/AUXILIARY HEAT EXCHANGER

ITEM NO.	PART NO.	DESCRIPTION	MODEL
HEAT EXCHANGER ASSEMBLY			
1	100147457	HEAT EXCHANGER	XPN400
1	100147458	HEAT EXCHANGER	XPN501
1	100147460	HEAT EXCHANGER	XPN601
1	100147461	HEAT EXCHANGER	XPN701
1	100147462	HEAT EXCHANGER	XPN801
CONTROLS			
2	100167579	LOW VOLTAGE CONNECTION BOARD	ALL
3	100167815	INTEGRATED CONTROL PRIOR TO SERIAL #H10	XPN400
3	100167830	INTEGRATED CONTROL BEGINNING SERIAL #H10	XPN400
3	100167816	INTEGRATED CONTROL PRIOR TO SERIAL #H10	XPN501
3	100167831	INTEGRATED CONTROL BEGINNING SERIAL #H10	XPN501
3	100167818	INTEGRATED CONTROL PRIOR TO SERIAL #H10	XPN601 - 801
3	100167832	INTEGRATED CONTROL BEGINNING SERIAL #H10	XPN601 - 801
4	100167575	USER INTERFACE CONTROL	ALL
5	100167683	RELAY BOARD, 1.5 HP PUMP	ALL
6	100170596	INLET SENSOR	ALL
7	100170537	OUTLET SENSOR/ HIGH LIMIT	ALL
8	100167445	AIR VENT VALVE	ALL
9	100145008	FAN ASSEMBLY	XPN400
9	100145009	FAN ASSEMBLY	XPN501
9	100144980	FAN ASSEMBLY	XPN601 - 801
10	100146541	BLOWER/AIR ARM GASKET	XPN400
10	100146542	BLOWER/AIR ARM GASKET	XPN501
11	100146458	BLOWER/AIR ARM GASKET	XPN601 - 801
GAS VALVES			
12	100172006	GAS VALVE ASSEMBLY	XPN400
12	100172009	GAS VALVE ASSEMBLY NAT	XPN501
12	100172014	GAS VALVE ASSEMBLY NAT	XPN601
12	100171923	GAS VALVE ASSEMBLY NAT	XPN701
12	100172015	GAS VALVE ASSEMBLY NAT	XPN801
12	100171928	GAS VALVE ASSEMBLY LP	XPN501
12	100171929	GAS VALVE ASSEMBLY LP	XPN601
12	100171930	GAS VALVE ASSEMBLY LP	XPN701
12	100171931	GAS VALVE ASSEMBLY LP	XPN801
13	100146470	GAS VALVE GASKET	XPN601 - 801
14	100146149	GAS CUT OFF VALVE 1X1	XPN400, 601-801
15	100146148	GAS CUT OFF VALVE 3/4 X 3/4	XPN501
16	100146547	GASKET, VENTURI	XPN400
16	100146494	AIR SHROUD GASKET	XPN501
16	100146469	GASKET, VENTURI	XPN601 - 801
17	100163254	AIR INLET KIT	XPN400
17	100163256	AIR INLET KIT	XPN501
17	100163255	AIR INLET KIT	XPN601 - 801
PILOT & BURNER ASSEMBLIES			
18	100165930	FLAME SENSOR W/ GASKET	XPN400/501
18	100165931	FLAME SENSOR W/ GASKET	XPN601 - 801
19	100146550	GASKET, FLAME SENSOR	ALL
20	100165929	IGNITOR W/ GASKET	XPN400/501
20	100165920	IGNITOR W/ GASKET	XPN601 - 801
21	100146549	GASKET, IGNITOR	ALL
22	100135311	BURNER W/ GASKET	XPN400/501
22	100135313	BURNER W/ GASKET	XPN601
22	100135314	BURNER W/ GASKET	XPN701
22	100135315	BURNER W/ GASKET	XPN801
23	100146551	GASKET, BURNER	XPN400/501
23	100146481	GASKET, BURNER	XPN601 - 801
24	100173792	GAS/AIR ARM ASSEMBLY W/ GASKET	XPN400
24	100173793	GAS/AIR ARM ASSEMBLY W/ GASKET	XPN501
24	100173798	GAS/AIR ARM ASSEMBLY W/ GASKET	XPN601 - 801
25	100173794	HEAT EXCHANGER ACCESS DOOR KIT	XPN400/501
25	100173799	HEAT EXCHANGER ACCESS DOOR KIT	XPN601 - 801
INDIRECT HEAT EXCHANGER			
26	100094572	HEX DOOR TEMP SWITCH BEGINNING SERIAL # F14	ALL
27	100208919	KIT, HEAT EXCHANGER, INDIRECT, CUNI, 1.0, SVC	XPN400 - 601
27	100208920	KIT, HEAT EXCHANGER, INDIRECT, CUNI, 1.5, SVC	XPN701 - 801
27	100208922	KIT, HEAT EXCHANGER, INDIRECT, TI, 1.0, SVC	XPN400 - 601
27	100208923	KIT, HEAT EXCHANGER, INDIRECT, TI, 1.5, SVC	XPN701 - 801
PLEASE HAVE MODEL AND SERIAL NUMBER WHEN ORDERING PARTS			

ITEM NO.	PART NO.	DESCRIPTION	MODEL
INDIRECT HEAT EXCHANGER (CONTINUED)			
28	100209139	KIT, END CAP FLANGE, 3"	XPN400 - 601
28	100209140	KIT, END CAP FLANGE, 4"	XPN701 - 801
29	100208989	KIT, O-RING, 139.7 X 5.33, END CAP	XPN400 - 801
30	100232478	KIT, O-RING, 78.97 X 3.53, BOILER CONNECTION	XPN400 - 801
31	100146441	GASKET, 3", EPDM	XPN400 - 601
31	100146433	GASKET, 4", EPDM	XPN701 - 801
32	100166553	FLANGE, 3", CPVC	XPN400 - 601
32	100166550	FLANGE, 4", CPVC	XPN701 - 801
MISCELLANEOUS			
33	100163249	SIGHT GLASS	ALL
34	100146553	GASKET, SIGHT GLASS	ALL
35	100167708	RELAY, 1.5 HP PUMP	ALL
36	100145494	DIVIDER PLATE, INSULATION BAFFLE	ALL
37	100145495	BURNER PLATE, INSULATION, DOOR	XPN400/501
37	100145476	BURNER PLATE, INSULATION, DOOR	XPN601 - 801
38	100146555	GASKET DOOR RUBBER	XPN400/501
38	100146482	GASKET DOOR RUBBER	XPN601 - 801
39	100162908	DISPLAY BEZEL	ALL
40	100134788	LEVELING LEGS	ALL
41	100163244	CONDENSATE TRAP	ALL
-	100169481	BLOCKED DRAIN SWITCH	ALL
42	100169476	ON/OFF SWITCH	ALL
43	100166100	PRESSURE SWITCH	XPN400
43	100166114	PRESSURE SWITCH	XPN501
43	100166113	PRESSURE SWITCH	XPN601 - 801
44	100170172	TRANSFORMER, 40VA	XPN400-701
44	100170173	TRANSFORMER, 60VA	XPN801
45	100162600	KNOB, FLUTED W/ SKIRT	ALL
46	100167399	RELIEF VALVE 30 PSI	ALL
47	100146999	GAUGE TRIOMETER, 75# PSI	ALL
48	100173714	FLOW SWITCH	ALL
-	100146010	FUSE, 0.8 AMP	ALL
-	100146012	FUSE, 3.15 AMP	ALL
-	100146013	FUSE, 5 AMP	ALL
-	100163053	HIGH VOLTAGE CONNECTION BOARD	ALL
-	100170642	FLUE TEMP SENSOR KIT	ALL
-	100157718	SYSTEM SENSOR KIT	ALL
-	100173646	MRLWCO WITH TEST	ALL
-	100157721	NEUTRALIZER KIT	XPN400/501
-	100157700	NEUTRALIZER KIT	XPN601 - 801
-	100157719	ALARM BELL	ALL
-	100159011	LP CONVERSION KIT	XPN400
-	100159012	LP CONVERSION KIT	XPN501-801
-	100170581	SYSTEM SENSOR	ALL
-	100170590	BULB WELL 1/4"	ALL
-	100148402	LIMIT, HEAT EXCHANGER OVER TEMP	ALL
PUMP			
49	100166415	PUMP PRIOR TO SERIAL #D12	XPN400-601
49	100166418	PUMP AFTER SERIAL #D12	XPN400-501
49	100166433	PUMP PRIOR TO SERIAL #D12	XPN701-801
49	100166416	PUMP AFTER SERIAL #D12	XPN601-801
JACKET ASSEMBLY			
50	100149689	JACKET, TOP	XPN400
50	100149690	JACKET, TOP	XPN501
50	100149691	JACKET, TOP	XPN601
50	100149692	JACKET, TOP	XPN701
50	100267269	JACKET, TOP	XPN801
51	100189058	JACKET, FRONT	ALL
52	100149878	JACKET, LEFT SIDE	XPN400
52	100149861	JACKET, LEFT SIDE	XPN501
52	100149862	JACKET, LEFT SIDE	XPN601
52	100149863	JACKET, LEFT SIDE	XPN701
52	100149864	JACKET, LEFT SIDE	XPN801
53	100150356	JACKET, RIGHT SIDE	XPN400
53	100150359	JACKET, RIGHT SIDE	XPN501
53	100150361	JACKET, RIGHT SIDE	XPN601
53	100150362	JACKET, RIGHT SIDE	XPN701
53	100150364	JACKET, RIGHT SIDE	XPN801

PLEASE HAVE MODEL AND SERIAL NUMBER WHEN ORDERING PARTS