



**Lochinvar**<sup>®</sup>  
HIGH EFFICIENCY BOILERS & WATER HEATERS

**LOCK-TEMP<sup>®</sup> STAINLESS  
STEEL STORAGE TANK**

**Submittal Sheet**

**LTS-Sub-01**

**LOCK TEMP STAINLESS STEEL STORAGE TANKS**

**JOB NAME** \_\_\_\_\_

**LOCATION** \_\_\_\_\_

**ENGINEER.** \_\_\_\_\_

**WHOLESALE** \_\_\_\_\_

**MECH. CONTRACTOR** \_\_\_\_\_

**MODEL NO.** \_\_\_\_\_

**GALLON CAPACITY** \_\_\_\_\_

**WORKING PRESSURE** \_\_\_\_\_

**DIMENSIONS** \_\_\_\_\_

**LINING** \_\_\_\_\_

**NOTES**

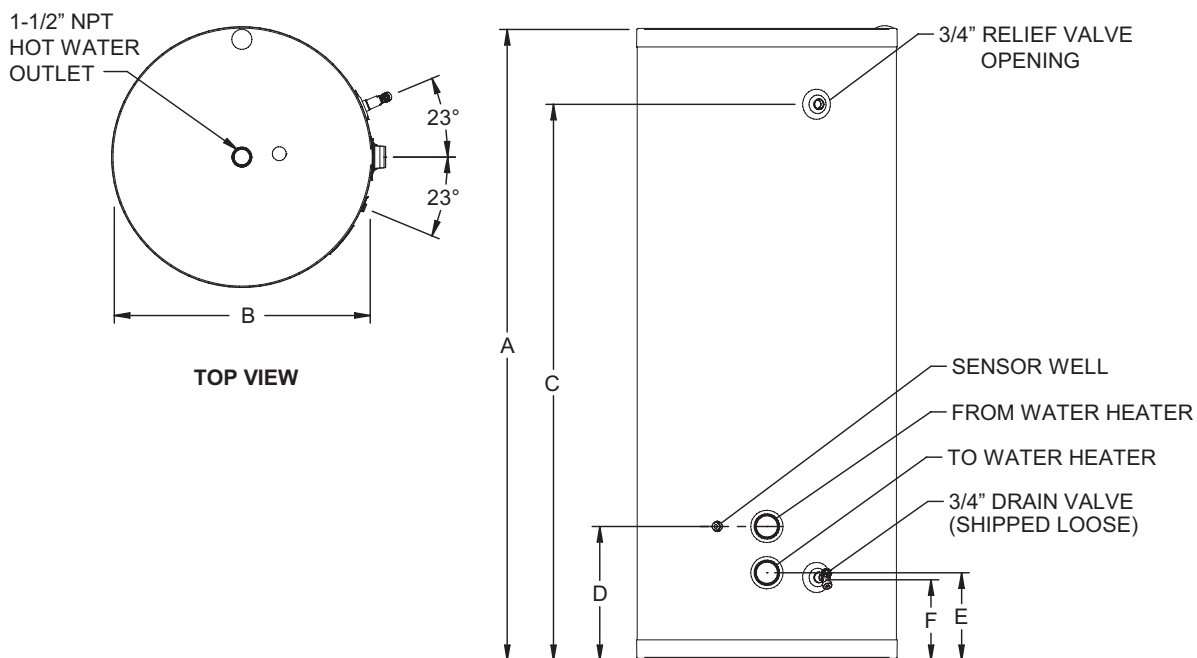
**Standard Features**

- Light-weight 316L stainless steel tank construction
- Diffuser tube to eliminate turbulence
- 150 PSI working pressure
- Exceeds ASHRAE Energy Efficiency Standards
- Textured, impact resistant polypropylene jacket
- Bulbwell for control sensor
- 3/4" Brass drain valve
- 10 year limited tank warranty

**Optional Equipment:**

- Place an X in the box by all options that apply**
- 125 PSI Temperature and Pressure Relief Valve
  - 150 PSI Temperature and Pressure Relief Valve

# Lock-Temp® Stainless Steel Storage Tanks Dimensions & Specifications



Model Number	Gallon Capacity	A	B	C	D	E	F	Recirculation Tappings	Shipping Wt. (lbs.)
SJS060	60	36"	28"	28"	14-1/4"	9-1/4"	9"	1-1/2"	138
SJS080	80	69-1/2"	24"	61-3/4"	14-1/2"	9-1/2"	9"	2"	153
SJS119	119	68-1/4"	28"	60-1/4"	14-1/2"	9-1/2"	9"	2"	198