



**Lochinvar**<sup>®</sup>  
HIGH EFFICIENCY BOILERS & WATER HEATERS

**STACK FRAME  
Submittal Sheet**

**MS-Sub-13**

**STACK FRAME SUBMITTAL**

**JOB NAME** \_\_\_\_\_

**LOCATION** \_\_\_\_\_

**ENGINEER** \_\_\_\_\_

**WHOLESALE** \_\_\_\_\_

**MECH. CONTRACTOR** \_\_\_\_\_

**MODEL NO.** \_\_\_\_\_

**DIMENSIONS A=** \_\_\_\_\_ **B=** \_\_\_\_\_ **C=** \_\_\_\_\_

**NOTES**

---

**Pre-Assembled Welded Construction**

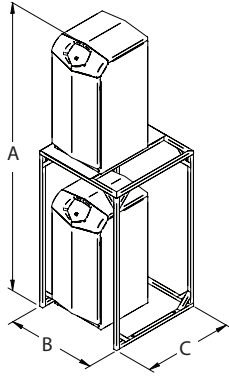
Lochinvar's technology not only makes our water heaters and boilers more efficient, it means they also have a smaller footprint. So they save space as well as operating costs. And now there's a way to get greater flexibility and reliability, save even more space, and get a system that's perfectly matched to a facility—thanks to the use of a Stack Frame from Lochinvar.

**No Assembly Required**

Lochinvar's Stack Frame is fully factory assembled and shipped in one piece. The frame is welded using square steel tubing by certified welders ensuring integrity for the life of the frame.

# Dimensions and Specifications

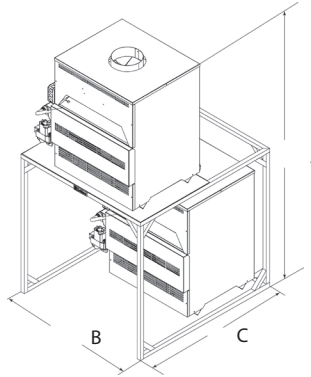
**Armor® Water Heaters (Models 151-801)**  
**Knight® Heating Boilers (Models 081-801)**



MODEL #	PART #	A*	B**	C	Wt. (.lbs)
AW 151-200	MSF3043	90-1/2"	26"	26"	60
AW 286-501	MSF3044	109"	26"	34"	72
AW 601-801	MSF30002	109"	26"	49"	94
KB 081-211	MSF3043	90-1/2"	26"	26"	60
KB 286-501	MSF3044	109"	26"	34"	72
KB 601-801	MSF30002	109"	26"	49"	94

*Note: Heater height is 33-1/4" KB 81-211 and AW 151-200 models.  
 Heater height is 42-1/2" KB 286-801 and AW 286-801 models.*

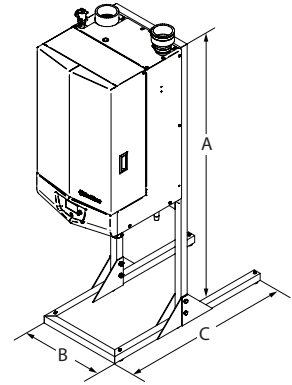
**Solution™ Boilers/Copper-Fin® Water Heaters and Boilers (Models 045-500)**



MODEL #	PART #	A*	B**	C	Wt. (.lbs)
CB 045	MSF 3034	65-1/2"	36"	39"	73
CB 075	MSF 3034	65-1/2"	36"	39"	73
CB/CW 090	MSF 3034	65-1/2"	36"	39"	73
CB/CW 135	MSF 3034	65-1/2"	36"	39"	73
CB/CW 180	MSF 3034	65-1/2"	36"	39"	73
CW 199	MSF 3035	65-1/2"	48"	39"	84
CB 215	MSF 3035	65-1/2"	48"	39"	84
CW 225	MSF 3035	65-1/2"	48"	39"	84
CB 260	MSF 3035	65-1/2"	48"	39"	84
CW 270	MSF 3035	65-1/2"	48"	39"	84
CB/CW 315	MSF 3035	65-1/2"	48"	39"	84
CB/CW 360	MSF 3035	65-1/2"	48"	39"	84
CB/CW 399	MSF 3036	65-1/2"	65"	39"	147
CB/CW 500	MSF 3036	70-1/2"	65"	39"	147

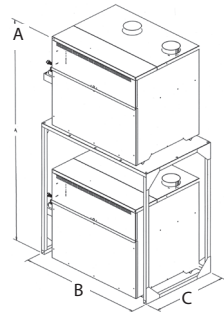
*Note: Heater height is 29-1/2" (45 - 399) and 34-1/2" (500).*

**Knight® Wall Mount Boilers (Models 55-399)**  
**Cadet™ Boilers (Models 40-120)**  
**Armor® Wall Mount (Models 125-150)**



PART #	A*	B**	C	Wt. (.lbs)
MSF30018	60-1/4"	17-1/2"	36"	50

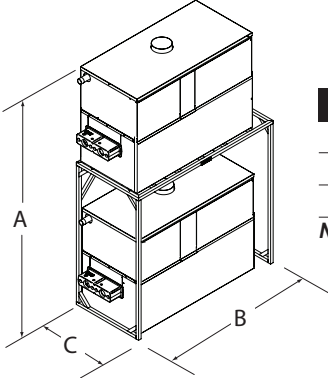
**Efficiency+® Water Heaters (Models 150-300)**



PART #	A*	B**	C	Wt. (.lbs)
MSF3021	71-1/4"	37"	24"	72

*Note: Heater height is 28" on all models.*

**Copper-Fin® Water Heaters and Boilers (Models 497-747)**

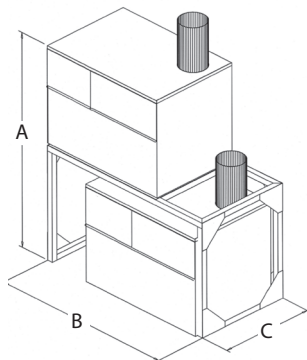


MODEL #	PART #	A*	B**	C	Wt. (.lbs)
CB/CW 497	MSF3002	81-1/2"	51"	24-1/2"	70
CB/CW 647	MSF3003	84-1/2"	70"	26"	128
CB/CW 747	MSF3003	84-1/2"	70"	26"	128

*Note: Heater Height is 33-1/4" (497-747)*

**Copper-Fin Water Heaters and Boilers (Models 987-2067)**

**Copper-Fin II Water Heaters and Boilers (Models 402-2072)**



MODEL #	PART #	A*	B**	C	Wt. (.lbs)
CH/CF 402	MSF3022	67-1/2"	59"	24-1/2"	83
CH/CF 502	MSF3022	67-1/2"	59"	24-1/2"	83
CH/CF 652	MSF3023	67-1/2"	80"	24-1/2"	132
CH/CF 752	MSF3023	67-1/2"	80"	24-1/2"	132
CB/CW/CH/CF 987/992	MSF3007	80"	68"	36"	170
CB/CW/CH/CF 1257/1262	MSF3008	80"	88"	36"	214
CB/CW/CH/CF 1437/1442	MSF3008	80"	88"	36"	214
CB/CW/CH/CF 1797/1802	MSF3009	80"	114"	36"	251
CB/CW/CH/CF 2067/2072	MSF3009	80"	114"	36"	251

*Note: Heater height is 31-1/2" (402-752) & 36" (987-2072)*

\* To vent connection

\*\* Allow space for plumbing connections



**Lochinvar®**  
 HIGH EFFICIENCY BOILERS & WATER HEATERS

Lochinvar, LLC  
 300 Maddox Simpson Parkway  
 Lebanon, Tennessee 37090  
 P: 615.889.8900 / F: 615.547.1000  
 Lochinvar.com