

MULTI-STACK FRAME SUBMITTAL

JOB NAME _____

LOCATION _____

ARCH./ENGR. _____

WHOLESALER _____

MECH. CONTRACTOR _____

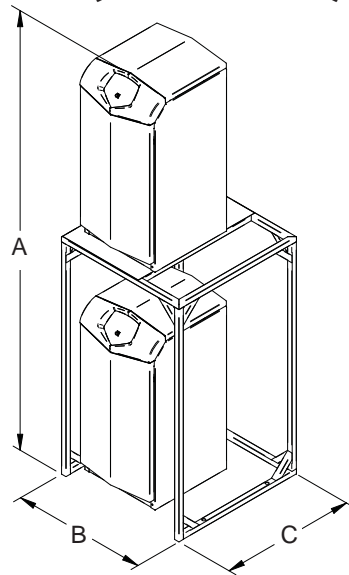
MODEL NO. _____

DIMENSIONS A= _____ B= _____ C= _____

NOTES

Dimensions and Specifications

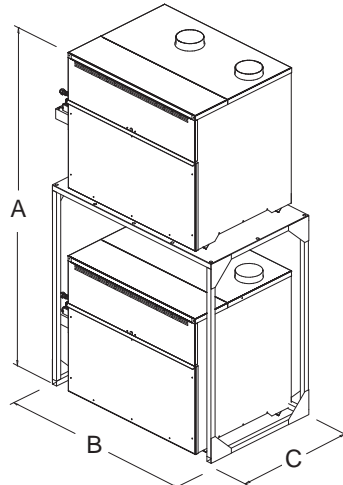
ARMOR[®] Water Heaters (Models 151-501) / KNIGHT[®] Heating Boilers (Models 081-801)



MODEL #	PART #	A*	B**	C	Wt. (.lbs)
AW 151-200	MSF3043	90-1/2"	26"	26"	60
AW 286-501	MSF3044	109"	26"	34"	72
KB 081-211	MSF3043	90-1/2"	26"	26"	60
KB 286-501	MSF3044	109"	26"	34"	72
KB 601-801	MSF3052	109"	26"	43"	94

Note: Heater height is 33-1/4" KB 81-121 and AW 151-200 models.
Heater height is 42-1/2" KB 286-501 and AW 286-501 models.

Efficiency+[®] Water Heaters and Boilers (Models 150-300)

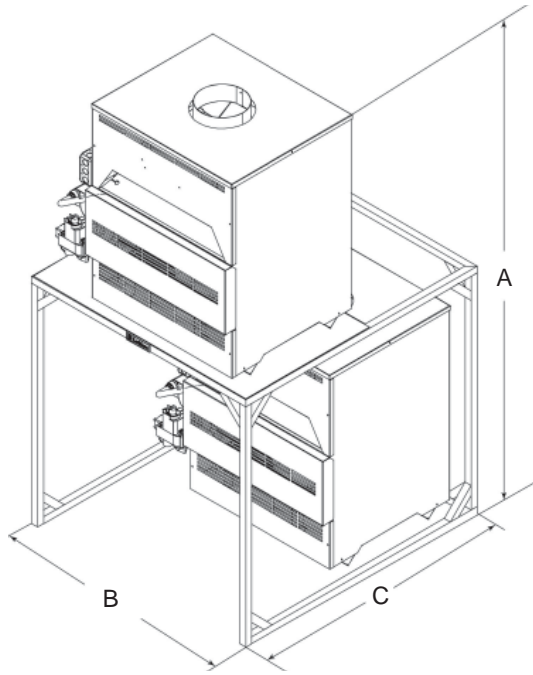


MODEL #	PART #	A*	B**	C	Wt. (.lbs)
EB/EW 150	MSF3021	71-1/4"	37"	24"	72
EB/EW 200	MSF3021	71-1/4"	37"	24"	72
EB/EW 250	MSF3021	71-1/4"	37"	24"	72
EB/EW 300	MSF3021	71-1/4"	37"	24"	72

Note: Heater height is 28" on all models.

Dimensions and Specifications

Solution™ Boilers/Copper-Fin® Water Heaters & Boilers (Models 045-500)

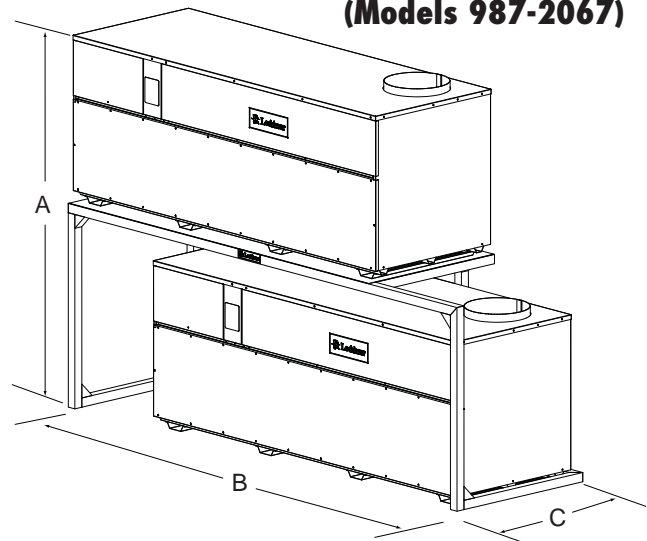
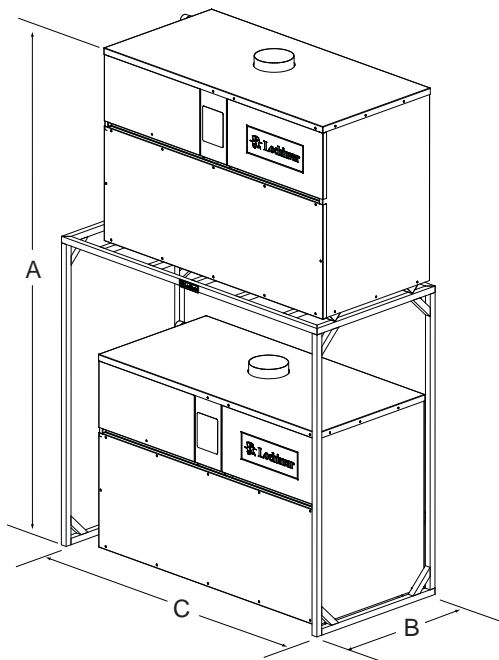


MODEL #	PART #	A*	B**	C	Wt. (.lbs)
CB 045	MSF 3034	65-1/2"	36"	39"	73
CB 075	MSF 3034	65-1/2"	36"	39"	73
CB/CW 090	MSF 3034	65-1/2"	36"	39"	73
CB/CW 135	MSF 3034	65-1/2"	36"	39"	73
CB/CW 180	MSF 3034	65-1/2"	36"	39"	73
CW 199	MSF 3035	65-1/2"	48"	39"	84
CB 215	MSF 3035	65-1/2"	48"	39"	84
CW 225	MSF 3035	65-1/2"	48"	39"	84
CB 260	MSF 3035	65-1/2"	48"	39"	84
CW 270	MSF 3035	65-1/2"	48"	39"	84
CB/CW 315	MSF 3035	65-1/2"	48"	39"	84
CB/CW 360	MSF 3035	65-1/2"	48"	39"	84
CB/CW 399	MSF 3036	65-1/2"	65"	39"	147
CB/CW 500	MSF 3036	70-1/2"	65"	39"	147

Copper-Fin® Water Heaters and Boilers

(Models 987-2067)

(Models 497-747)

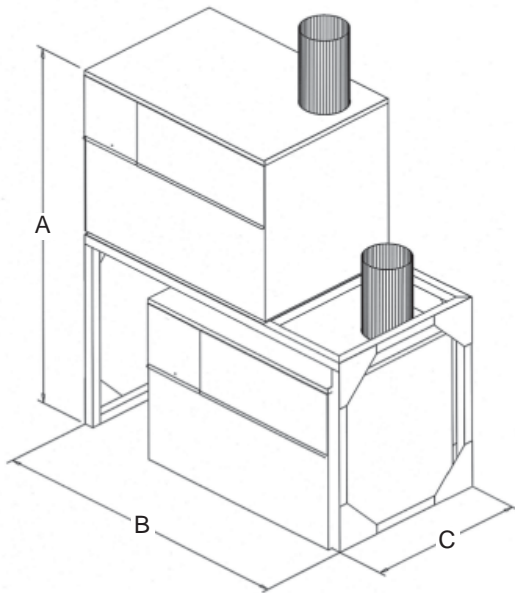


MODEL #	PART #	A*	B**	C	Wt. (.lbs)
CB/CW 497	MSF3002	81-1/2"	51"	24-1/2"	70
CB/CW 647	MSF3003	84-1/2"	70"	26"	128
CB/CW 747	MSF3003	84-1/2"	70"	26"	128
CB/CW 987	MSF3007	80"	75"	36"	170
CB/CW1257	MSF3008	80"	95"	36"	214
CB/CW1437	MSF3008	80"	95"	36"	214
CB/CW1797	MSF3009	80"	119"	36"	251
CB/CW 2067	MSF3009	80"	119"	36"	251

Note: Heater Height is 33-1/4" (497-747) & 36" (987-2067)

Copper-Fin II® Water Heaters, Boilers and Pool Heaters

(Models 401-2071)



MODEL #	PART #	A*	B**	C	Wt. (.lbs)
CH/CF401	MSF3022	67-1/2"	59"	24-1/2"	83
CH/CF501	MSF3022	67-1/2"	59"	24-1/2"	83
CH/CF651	MSF3023	67-1/2"	80"	24-1/2"	132
CH/CF751	MSF3023	67-1/2"	80"	24-1/2"	132
CH/CF991	MSF3007	80"	75"	36"	170
CH/CF1261	MSF3008	80"	95"	36"	214
CH/CF1441	MSF3008	80"	95"	36"	214
CH/CF1801	MSF3009	80"	119"	36"	251
CH/CF2071	MSF3009	80"	119"	36"	251

Note: Heater height is 31-1/2" (401-751) & 36" (991-2071)

* To vent connection

** Allow space for plumbing connections