



Lochinvar[®]
HIGH EFFICIENCY BOILERS & WATER HEATERS

**NOBLE
COMBI BOILER
Submittal Sheet**

NKC-Sub-01

NOBLE™ COMBI BOILERS

JOB NAME _____

LOCATION _____

ENGINEER _____

WHOLESALER _____

MECH. CONTRACTOR _____

MODEL NO. _____

TYPE GAS _____

Btu/hr INPUT _____

Btu/hr OUTPUT _____

NOTES

Model	DHW Delivery (GPM)*
NKC110N	2.6
NKC150N	3.6
NKC199N	4.8

* 77°F Temperature Rise

SMART CONTROL™ FEATURES

- › **SMART CONTROL Digital Operating Control**
LCD Display with words not codes
- › **Outdoor Reset Control with Outdoor Air Sensor**
- › **Programmable System Efficiency Optimizers**
DHW Response Time
DHW Pre Heat
Outdoor Air Reset Curve
- › **Two Pump Control**
System Pump
Boiler Pump
- › **High-Voltage Junction Box**
120 VAC / 60 Hertz / 1 Phase Power Supply
- › **Low Voltage Terminal Strip**
Air Handler Interlock
Flow Switch Contacts
Low-Water Cutoff Connection
System Sensor Contacts
Outdoor Air Sensor Contacts
Cascade Contacts
- › **Time Clock for Data Logging**
Last 10 Lockouts
- › **Low-Water Flow Safety Control & Indication**
- › **Password Security**
- › **Built-in Cascading Sequencer for up to 8 units**

STANDARD FEATURES

- › **ENERGY STAR Most Efficient Recognition**
- › **95% DOE AFUE Efficiency**
- › **Modulating Burner with 10:1 Turndown**
Direct-Spark Ignition
Low-NOx Operation
- › **ASME Stainless Steel Heat Exchanger**
50 psi Working Pressure w/ASME Relief Valve
- › **Vertical & Horizontal Direct-Vent**
PVC, CPVC, Polypropylene or SS Venting
up to 100 feet
- › **Condensate Trap**
- › **Other Features**
Automatic Reset High Limit
Adjustable High Limit w/Manual Reset
Built-in Circulating Pump
Wall-Mount Bracket
Zero Clearances to Combustible Materials
10-Year Warranty
(See Warranty for Details)
5-Year Parts Warranty

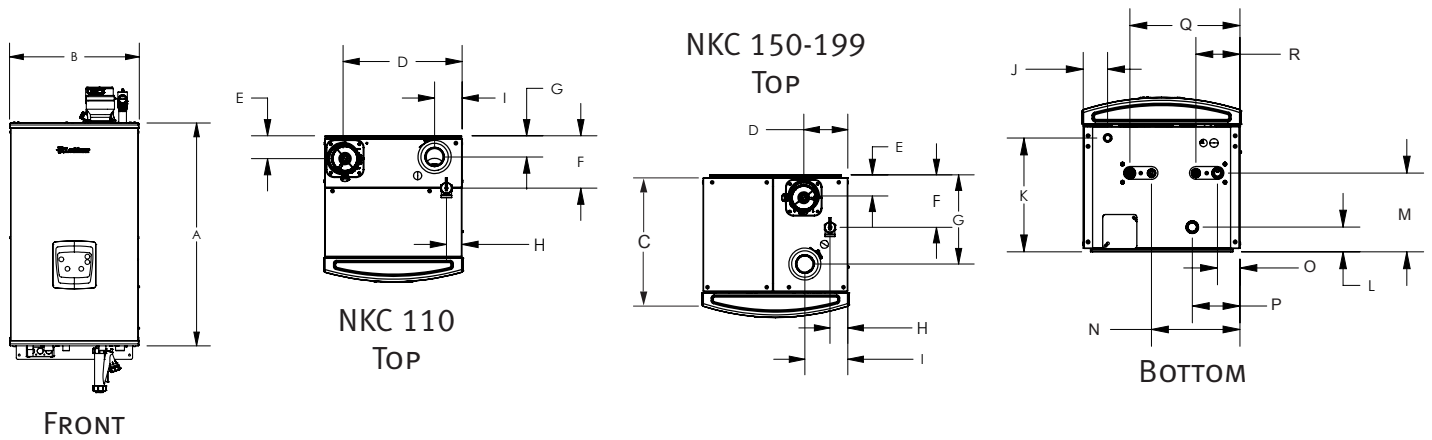
OPTIONAL EQUIPMENT


- Low-Water Cutoff w/Manual Reset & Test
- Concentric Vent Kit
- Condensate Neutralization Kit
- Sidewall Vent Termination
- Floor Stand
- Wireless Outdoor Sensor
- Nat to LP Gas Conversion Kit
- Isolation/Flush Valves

FIRING CODES

- › M9 Standard Construction/California Code

NOBLE Dimensions & Specifications



NOBLE COMBI BOILER 						DIMENSIONS AND SPECIFICATIONS						
Model Number	Input (MBH) Max.	Min.	AFUE%	Heating Capacity MBH	Net AHRI Rating MBH	A	B	C	D	E	F	G
NKC110N	110	11	95.0	102	89	32-1/2"	17-1/4"	18"	14-3/4"	2-3/4"	6-1/2"	2-3/4"
NKC150N	150	15	95.0	139	121	32-1/2"	18-3/4"	18"	6-3/4"	2-3/4"	6-3/4"	11-3/4"
NKC199N	199	19.9	95.0	185	161	32-1/2"	18-3/4"	18"	5-1/2"	2-3/4"	6-3/4"	11-1/2"

DIMENSIONS AND SPECIFICATIONS																
H	I	J	K	L	M	N	O	P	Q	R	Gas Conn.	Water Conn.	Air Inlet	Vent Size	Shipping Weight	
2"	3-1/2"	8-3/4"	13-1/2"	2-3/4"	9"	10-1/2"	5"	14-1/2"	12-3/4"	5"	1/2"	1"	3"	3"	139	
2-1/2"	6-1/4"	2-3/4"	13-1/2"	3"	9"	11-1/2"	5"	6-1/4"	13-3/4"	6"	1/2"	1"	3"	3"	142	
2-1/4"	5-1/2"	2-3/4"	13-1/2"	2-3/4"	9-1/2"	10-1/2"	2-3/4"	5-1/2"	13"	5-1/4"	1/2"	1"	3"	3"	159	

Notes: Indoor installation only. All information subject to change. Change "N" to "L" for LP gas models. *The Net AHRI Water Ratings shown are based on a piping and pickup allowance of 1.15.
 *Lochinvar should be consulted before selecting a boiler for installations having unusual piping and pickup requirements, such as intermittent system operation, extensive piping systems, etc.
 **The ratings have been determined under the provisions governing forced draft burners.



Lochinvar, LLC
 300 Maddox Simpson Parkway
 Lebanon, Tennessee 37090
 P: 615.889.8900 / F: 615.547.1000
 f t i n Lochinvar.com

