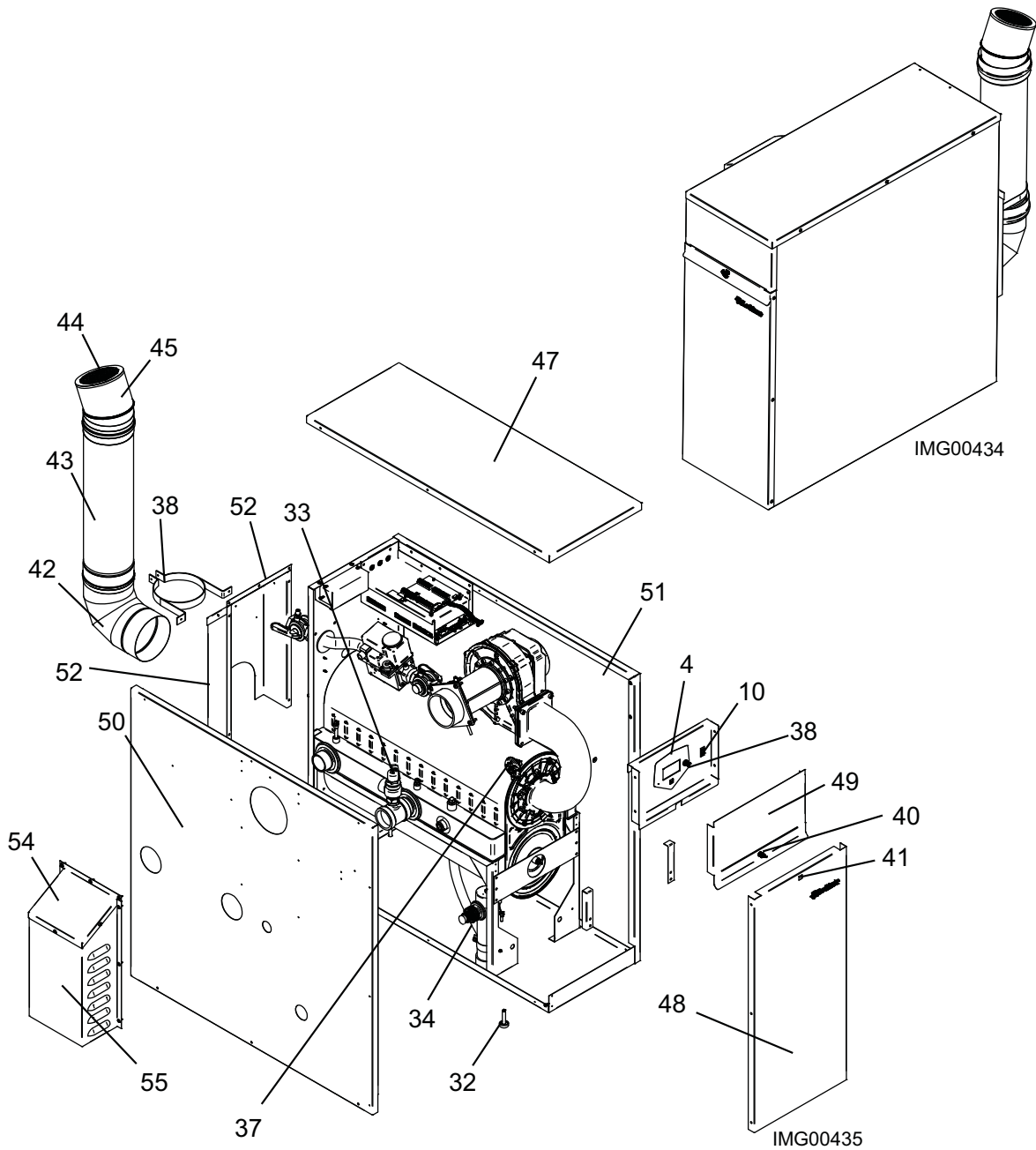




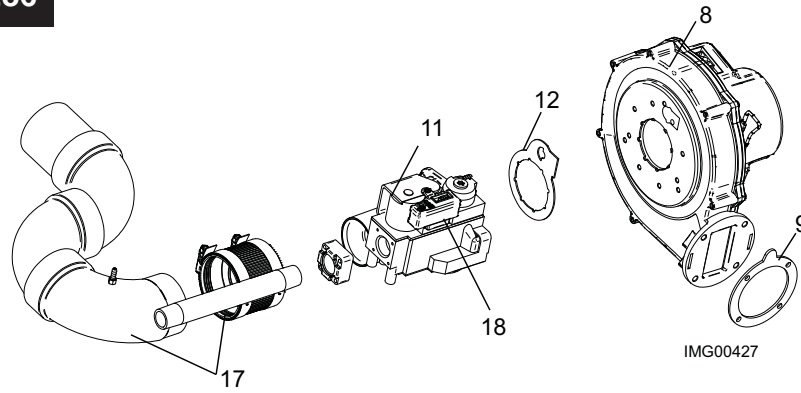
PARTS & SERVICE DEPARTMENT
 Nashville, Tennessee
 877-554-5544 • Fax: 615-882-2918
 parts_team@lochinvar.com
 www.Lochinvar.com

Replacement Parts List

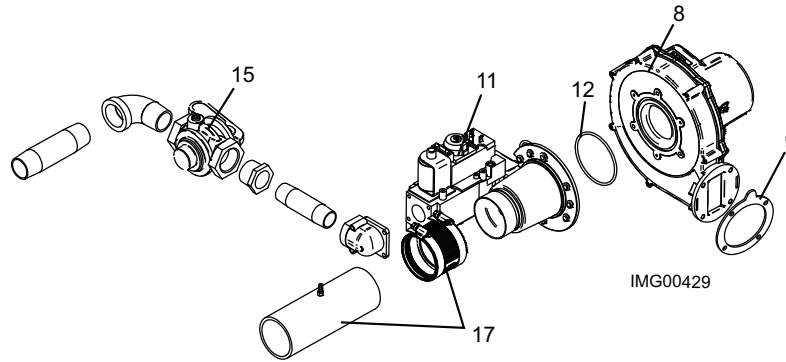
**Outdoor Armor
 Condensing Water Heater
 OA 151 thru 801**



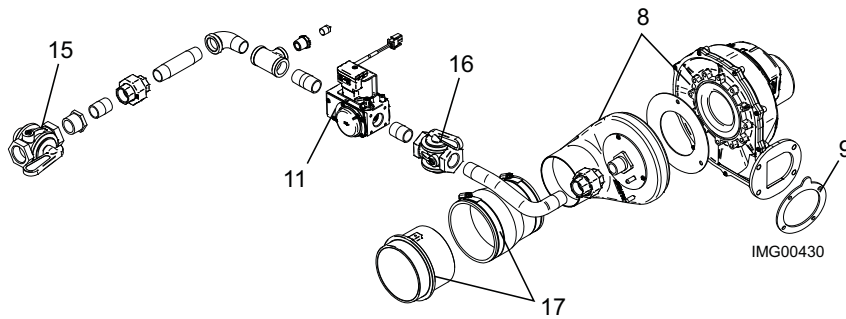
GAS TRAIN 151-286



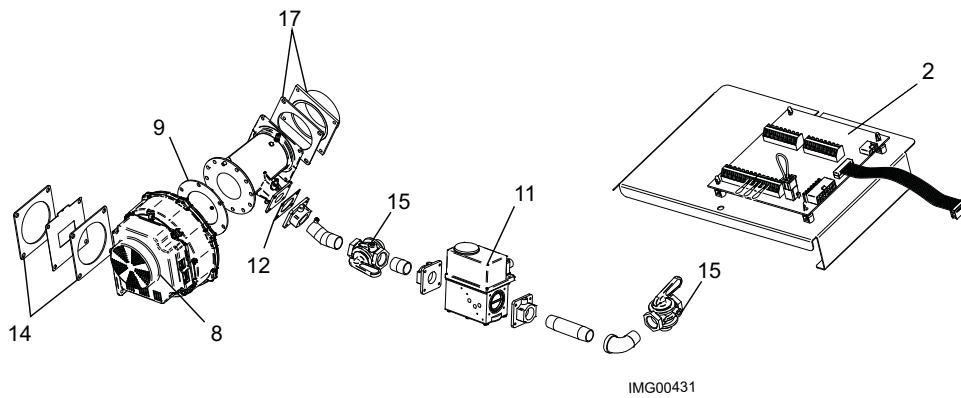
GAS TRAIN 400



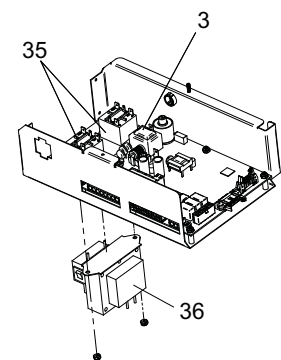
GAS TRAIN 501



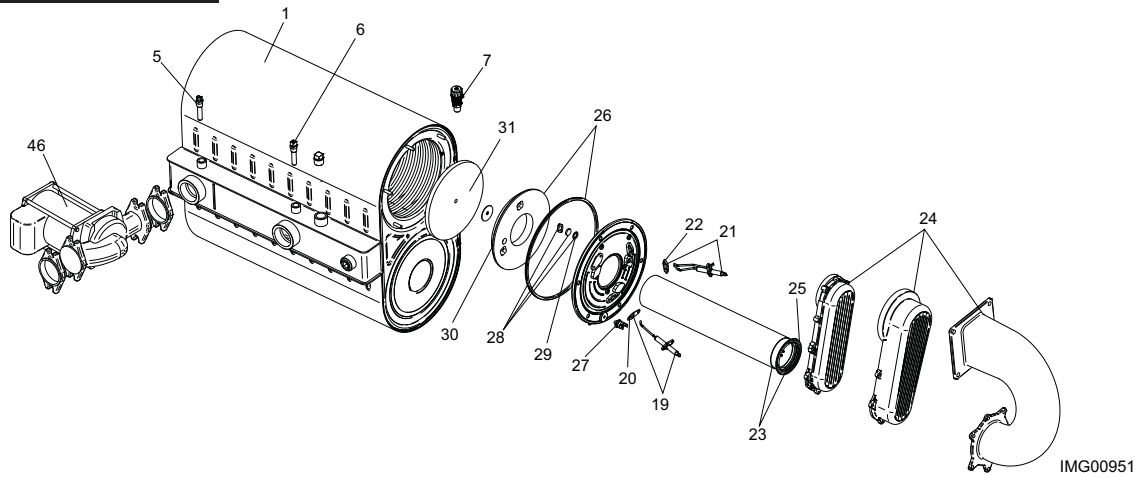
GAS TRAIN 601 - 801



CONTROL PANEL



HEAT EXCHANGER



ITEM NO.	PART NO.	DESCRIPTION	MODEL
HEAT EXCHANGER ASSEMBLY			
1	100147750	HEAT EXCHANGER	OA 151
1	100147751	HEAT EXCHANGER	OA 200
1	100147752	HEAT EXCHANGER	OA 286
1	100147753	HEAT EXCHANGER	OA 400
1	100147754	HEAT EXCHANGER	OA 501
1	100147306	HEAT EXCHANGER	OA 601
1	100147307	HEAT EXCHANGER	OA 701
1	100147308	HEAT EXCHANGER	OA 801
CONTROLS			
2	100208473*	CONNECTION BOARD	ALL
3	100167803*	INTEGRATED CONTROL	OA 151 - 286
3	100167804*	INTEGRATED CONTROL	OA 400
3	100167805*	INTEGRATED CONTROL	OA 501
3	100167807*	INTEGRATED CONTROL	OA 601 - 801
4	100208458*	USER INTERFACE CONTROL	ALL
-	100289526	USER INTERFACE OVERLAY	ALL
5	100208549*	SENSOR, INLET	ALL
5	100208563	SENSOR, INLET, SS (OPTIONAL)	ALL
6	100208544*	SENSOR, OUTLET / HIGH LIMIT	ALL
6	100208558	SENSOR, OUTLET / HIGH LIMIT, SS (OPTIONAL)	ALL
7	100167445	AIR VENT VALVE	ALL
8	100145004	FAN ASSEMBLY	OA 151
8	100145005	FAN ASSEMBLY	OA 200
8	100145006	FAN ASSEMBLY	OA 286
8	100145008	FAN ASSEMBLY	OA 400
8	100145009	FAN ASSEMBLY	OA 501
8	100144980	FAN ASSEMBLY	OA 601 - 801
9	100208764*	GASKET, BLOWER	OA 200
9	100208101*	GASKET, BLOWER	OA 151, 286, 400
9	100208759*	GASKET, BLOWER	OA 501
9	100233694*	GASKET, VENTURI	OA 601 - 801
10	100208242*	SWITCH, ON/OFF	ALL

PLEASE HAVE SERIAL NUMBER AVAILABLE WHEN ORDERING PARTS
*ITEMS DENOTE SUGGESTED INVENTORY PARTS

ITEM NO.	PART NO.	DESCRIPTION	MODEL
GAS VALVES			
11	100172003	GAS VALVE ASSEMBLY NAT	OA 151
11	100172004	GAS VALVE ASSEMBLY NAT	OA 200
11	100172005	GAS VALVE ASSEMBLY NAT	OA 286
11	100172006	GAS VALVE ASSEMBLY NAT	OA 400
11	100172009	GAS VALVE ASSEMBLY NAT	OA 501
11	100172014	GAS VALVE ASSEMBLY NAT	OA 601
11	100171923	GAS VALVE ASSEMBLY NAT	OA 701
11	100172015	GAS VALVE ASSEMBLY NAT	OA 801
11	100171928	GAS VALVE ASSEMBLY LP	OA 501
11	100171929	GAS VALVE ASSEMBLY LP	OA 601
11	100171930	GAS VALVE ASSEMBLY LP	OA 701
11	100171931	GAS VALVE ASSEMBLY LP	OA 801
12	100208760	GASKET, GAS VALVE	OA 151 - 286
12	100208105	GASKET, GAS VALVE	OA 400
12	100146470	GASKET, GAS VALVE	OA 601 - 801
13	100233703	GASKET, AIR SHROUD	OA 501
14	100208089	GASKET, AIR INTAKE	OA 601 - 801
15	100300201	GAS CUT OFF VALVE - 1" X 1"	OA 400 - 801
16	100277803	GAS CUT OFF VALVE - 3/4" X 3/4"	OA 501
17	100163228	AIR INLET KIT	OA 151
17	100163229	AIR INLET KIT	OA 200
17	100163230	AIR INLET KIT	OA 286
17	100163225	AIR INLET KIT	OA 400
17	100163226	AIR INLET KIT	OA 601 - 801
17	100163227	AIR INLET KIT	OA 501
18	100208324*	SWITCH, GAS VALVE	OA 151 - 286
PILOT & BURNER ASSEMBLIES			
19	100165930*	FLAME SENSOR W/ GASKET	OA 151 - 501
19	100165931*	FLAME SENSOR W/ GASKET	OA 601 - 801
20	100208091*	GASKET, FLAME SENSOR	ALL
21	100165929*	IGNITOR W/ GASKET	OA 151 - 501
21	100165920*	IGNITOR W/ GASKET	OA 601 - 801
22	100208086*	GASKET, IGNITOR	ALL
23	100135308	BURNER W/ GASKET	OA 151
23	100135309	BURNER W/ GASKET	OA 200
23	100135310	BURNER W/ GASKET	OA 286
23	100135311	BURNER W/ GASKET	OA 400 - 501
23	100135313	BURNER W/ GASKET	OA 601
23	100135314	BURNER W/ GASKET	OA 701
23	100135315	BURNER W/ GASKET	OA 801
24	100173796	GAS/AIR ARM ASSEMBLY W/ GASKET	OA 151
24	100173792	GAS/AIR ARM ASSEMBLY W/ GASKET	OA 200 - 400
24	100173793	GAS/AIR ARM ASSEMBLY W/ GASKET	OA 501
24	100173798	GAS/AIR ARM ASSEMBLY W/GASKET	OA 601 - 801
25	100208085*	GASKET, BURNER	OA 151 - 501
25	100233594*	GASKET, BURNER	OA 601 - 801
26	100173794	HEAT EXCHANGER ACCESS DOOR KIT	OA 151 - 501
PLEASE HAVE SERIAL NUMBER AVAILABLE WHEN ORDERING PARTS *ITEMS DENOTE SUGGESTED INVENTORY PARTS			

ITEM NO.	PART NO.	DESCRIPTION	MODEL
PILOT & BURNER ASSEMBLIES (CONTINUED)			
26	100173799	HEAT EXCHANGER ACCESS DOOR KIT	OA 601 - 801
27	100292715	SWITCH, HEX DOOR TEMP (BEGINNING SERIAL # F14)	OA 286 - 801
MISCELLANEOUS			
28	100163249	SIGHT GLASS	ALL
29	100208762	GASKET, SIGHT GLASS	ALL
30	100208060	INSULATION, BURNER PLATE DOOR	OA 151 - 501
30	100208059	INSULATION, BURNER PLATE DOOR	OA 601 - 801
31	100208061	INSULATION BAFFLE, DIVIDER PLATE	ALL
32	100288552	LEVELING LEG	ALL
33	100208453	T & P RELIEF - 1" X 150#	OA 151 - 200
33	100208443	T & P RELIEF - 3/4" X 150#	OA 286 - 400
33	100208446	T & P RELIEF -3/4" X 150#	OA 501 - 801
34	100163241	CONDENSATE TRAP	OA 151 - 200
34	100163244	CONDENSATE TRAP	OA 286 - 801
35	100288451	RELAY, 1.5 HP PUMP	ALL
36	100208230	TRANSFORMER	OA 151 - 701
36	100208246	TRANSFORMER	OA 801
37	100208377	SWITCH, PRESSURE	OA 151 & 286
37	100208378	SWITCH, PRESSURE	OA 200 & 400
37	100208383	SWITCH, PRESSURE	OA 501
37	100208382	SWITCH, PRESSURE	OA 601 - 801
38	100277824	FLUTED KNOB W/ SKIRT	ALL
39	100289565	FLUE STRAP - 3"	OA 151 & 200
39	100289568	FLUE STRAP - 4"	OA 286 - 601
39	100289645	FLUE STRAP - 6"	OA 701 & 801
40	100289570	DOOR LATCH	ALL
-	100289644	LATCH RETAINER	ALL
41	100289643	DOOR LATCH RECEPTACLE	ALL
42	100288432	ELBOW - 3" 90 DEG	OA 151 & 200
42	100288433	ELBOW - 4" 90 DEG	OA 286 - 601
42	100288583	ELBOW - 6" 90 DEG	OA 701 & 801
43	100288435	PIPE - 3"	OA 151 & 200
43	100288434	PIPE - 4"	OA 286 - 601
43	100288584	PIPE - 6"	OA 701 & 801
44	100289551	BIRD SCREEN, FLUE PIPE	OA 151 & 200
44	100289554	BIRD SCREEN, FLUE PIPE	OA 286 - 601
45	100289673	VENT TERMINATION	OA 701 & 801
-	100233684	GASKET STRIP, AIR INLET & FLUE	ALL
-	100208808*	FUSE, 0.8 AMP	ALL
-	100208231*	FUSE, 3.15 AMP	ALL
-	100208232*	FUSE, 5 AMP	ALL
-	100208660*	FLOW SWITCH	OA 151 - 200& 400 - 801
-	100208661*	FLOW SWITCH	OA 286
-	100208243*	SWITCH, BLOCKED DRAIN	ALL
-	100173773	MRLWCO KIT W/ TEST	ALL
-	100208154	GAUGE TRIOMETER, 75# PSI	OA 501 - 801
-	100170642*	FLUE TEMP SENSOR KIT	ALL

**PLEASE HAVE SERIAL NUMBER AVAILABLE WHEN ORDERING PARTS
*ITEMS DENOTE SUGGESTED INVENTORY PARTS**

ITEM NO.	PART NO.	DESCRIPTION	MODEL
MISCELLANEOUS (CONTINUED)			
-	100157660	ALARM BELL	ALL
-	100170644*	SENSOR KIT, TANK	ALL
-	100159008	LP CONVERSION KIT	OA 151
-	100159009	LP CONVERSION KIT	OA 200
-	100159010	LP CONVERSION KIT	OA 286
-	100159011	LP CONVERSION KIT	OA 400
-	100159012	LP CONVERSION KIT	OA 501 - 801
-	100148402	LIMIT, HEAT EXCHANGER OVER TEMP	ALL
-	100208097	GASKET, ESCUTCHEON, 3/4" CONDENSATE TRAP	ALL
-	100208097	GASKET, ESCUTCHEON, 3/4" GAS CONNECTION	OA 286 & 501
-	100289443	GASKET, ESCUTCHEON, 1/2" GAS CONNECTION	OA 151 & 200
-	100208090	GASKET, ESCUTCHEON, 1" GAS CONNECTION	OA 400, 601 - 801
-	100290347	GASKET, ESCUTCHEON, 1 1/4" WATER CONNECTION	OA 151 & 200
-	100278141	GASKET, ESCUTCHEON, 2" WATER CONNECTION	OA 286 - 801
-	100289474	GASKET, ESCUTCHEON, 2" AIR INLET	OA 151 - 286
-	100278141	GASKET, ESCUTCHEON, 2" AIR INLET	OA 400
-	100289476	GASKET, ESCUTCHEON, 4" AIR INLET	OA 601 - 801
-	100208625	HARNESS, CONNECTION BOARD	ALL
-	100299107	HARNESS, RELAY	ALL
-	100299109	HARNESS, POWER	OA 151 - 286
-	100299754	HARNESS, POWER	OA 400 - 801
-	100208627	HARNESS, GAS VALVE	OA 151 - 286
-	100208637	HARNESS, GAS VALVE	OA 400
-	100173314	HARNESS, GAS VALVE	OA 501
-	100299111	HARNESS, GAS VALVE	OA 601 - 801
-	100208628	HARNESS, UNIT	OA 151 & 200
-	100072936	HARNESS, UNIT	OA 286
-	100072937	HARNESS, UNIT	OA 400 - 801
-	100288496	HARNESS, WIRE,ON/OFF	OA 151 - 400
-	100288497	HARNESS, WIRE,ON/OFF	OA 501 - 801
-	100208621	HARNESS, SPARK ELECTRODE	OA 151 & 200
-	100208620	HARNESS, SPARK ELECTRODE	OA 286
-	100208618	HARNESS, SPARK ELECTRODE	OA 400 & 501
-	100208623	HARNESS, SPARK ELECTRODE	OA 601 - 701
-	100208622	HARNESS, FLAME SENSE ELECTRODE	ALL
-	100208638	CABLE, RIBBON	ALL
PUMPS			
46	100166430	PUMP, PRIOR TO DECEMBER 2014	OA 151 - 200
46	100208409	PUMP, STANDARD, BEGINNING DECEMBER 2014	OA 151 - 200
46	100287807	PUMP, STANDARD, BEGINNING OCTOBER 2017	OA 151 - 200
46	100287809	PUMP, UPSIZED, BEGINNING JULY 2017	OA 151 - 200
46	100166428	PUMP, STANDARD	OA 286
46	100166409	PUMP, UPSIZED, BEGINNING JULY 2017	OA 286
46	100166432	PUMP, PRIOR TO DECEMBER 2014	OA 400
46	100232190	PUMP, STANDARD, BEGINNING DECEMBER 2014	OA 400
46	100166409	PUMP, UPSIZED, BEGINNING JULY 2017	OA 400
46	100287810	PUMP, UPSIZED, BEGINNING OCTOBER 2017	OA 400

PLEASE HAVE SERIAL NUMBER AVAILABLE WHEN ORDERING PARTS
*ITEMS DENOTE SUGGESTED INVENTORY PARTS

ITEM NO.	PART NO.	DESCRIPTION	MODEL
PUMPS (CONTINUED)			
46	100166408	PUMP, PRIOR TO DECEMBER 2014	OA 501 - 601
46	100232190	PUMP, BEGINNING DECEMBER 2014	OA 501 - 601
46	100166409	PUMP, UPSIZED, BEGINNING JULY 2017	OA 501 - 601
46	100287810	PUMP, UPSIZED, BEGINNING OCTOBER 2017	OA 501 - 601
46	100166409	PUMP, STANDARD	OA 701 - 801
46	100287831	PUMP, UPSIZED, BEGINNING JULY 2017	OA 701 - 801
46	100166420	PUMP WITH COVER	OA 151 - 200
46	100166421	PUMP WITH COVER	OA 286
46	100166422	PUMP WITH COVER	OA 400
46	100166423	PUMP WITH COVER	OA 501 - 601
46	100166424	PUMP WITH COVER	OA 701 - 801
JACKET ASSEMBLY			
47	100149725	JACKET, TOP	OA 151
47	100149726	JACKET, TOP	OA 200
47	100149727	JACKET, TOP	OA 286
47	100149728	JACKET, TOP	OA 400
47	100149729	JACKET, TOP	OA 501
47	100149730	JACKET, TOP	OA 601
47	100149731	JACKET, TOP	OA 701
47	100149732	JACKET, TOP	OA 801
48	100149722	JACKET, FRONT, LOWER	OA 151 & 200
48	100149723	JACKET, FRONT, LOWER	OA 286
48	100149724	JACKET, FRONT, LOWER	OA 400 - 801
49	100149733	JACKET, FRONT, UPPER	ALL
50	100149737	JACKET, LEFT SIDE	OA 151
50	100149738	JACKET, LEFT SIDE	OA 200
50	100149739	JACKET, LEFT SIDE	OA 286
50	100149740	JACKET, LEFT SIDE	OA 400
50	100149741	JACKET, LEFT SIDE	OA 501
50	100149742	JACKET, LEFT SIDE	OA 601
50	100149743	JACKET, LEFT SIDE	OA 701
50	100149744	JACKET, LEFT SIDE	OA 801
51	100150572	JACKET, RIGHT SIDE	OA 151
51	100150643	JACKET, RIGHT SIDE	OA 200
51	100150700	JACKET, RIGHT SIDE	OA 286
51	100150713	JACKET, RIGHT SIDE	OA 400
51	100150715	JACKET, RIGHT SIDE	OA 501
51	100150600	JACKET, RIGHT SIDE	OA 601
51	100150716	JACKET, RIGHT SIDE	OA 701
51	100150687	JACKET, RIGHT SIDE	OA 801
52	100149749	COVER, FLUE BOX	OA 151 & 200
52	100149750	COVER, FLUE BOX	OA 286
52	100150606	COVER, FLUE BOX	OA 400 - 601
52	100150692	COVER, FLUE BOX	OA 701 - 801
53	100149734	COVER, FLUE BOX TOP	OA 151 - 286
53	100149735	COVER, FLUE BOX TOP	OA 400 - 601
53	100149736	COVER, FLUE BOX TOP	OA 701 & 801
54	100150752	COVER, AIR INLET BOX TOP	OA 400
PLEASE HAVE SERIAL NUMBER AVAILABLE WHEN ORDERING PARTS			
*ITEMS DENOTE SUGGESTED INVENTORY PARTS			

ITEM NO.	PART NO.	DESCRIPTION	MODEL
JACKET ASSEMBLY (CONTINUED)			
54	100150612	COVER, AIR INLET BOX TOP	OA 501 - 801
55	100149747	COVER, AIR INLET BOX	OA 400
55	100149748	COVER, AIR INLET BOX	OA 501 - 801
-	100149764	COVER, PUMP TOP AND BOTTOM	OA 151 & 200
-	100149762	COVER, PUMP TOP AND BOTTOM	OA 286 - 601
-	100149763	COVER, PUMP TOP AND BOTTOM	OA 701 & 801

PLEASE HAVE SERIAL NUMBER AVAILABLE WHEN ORDERING PARTS
 *ITEMS DENOTE SUGGESTED INVENTORY PARTS