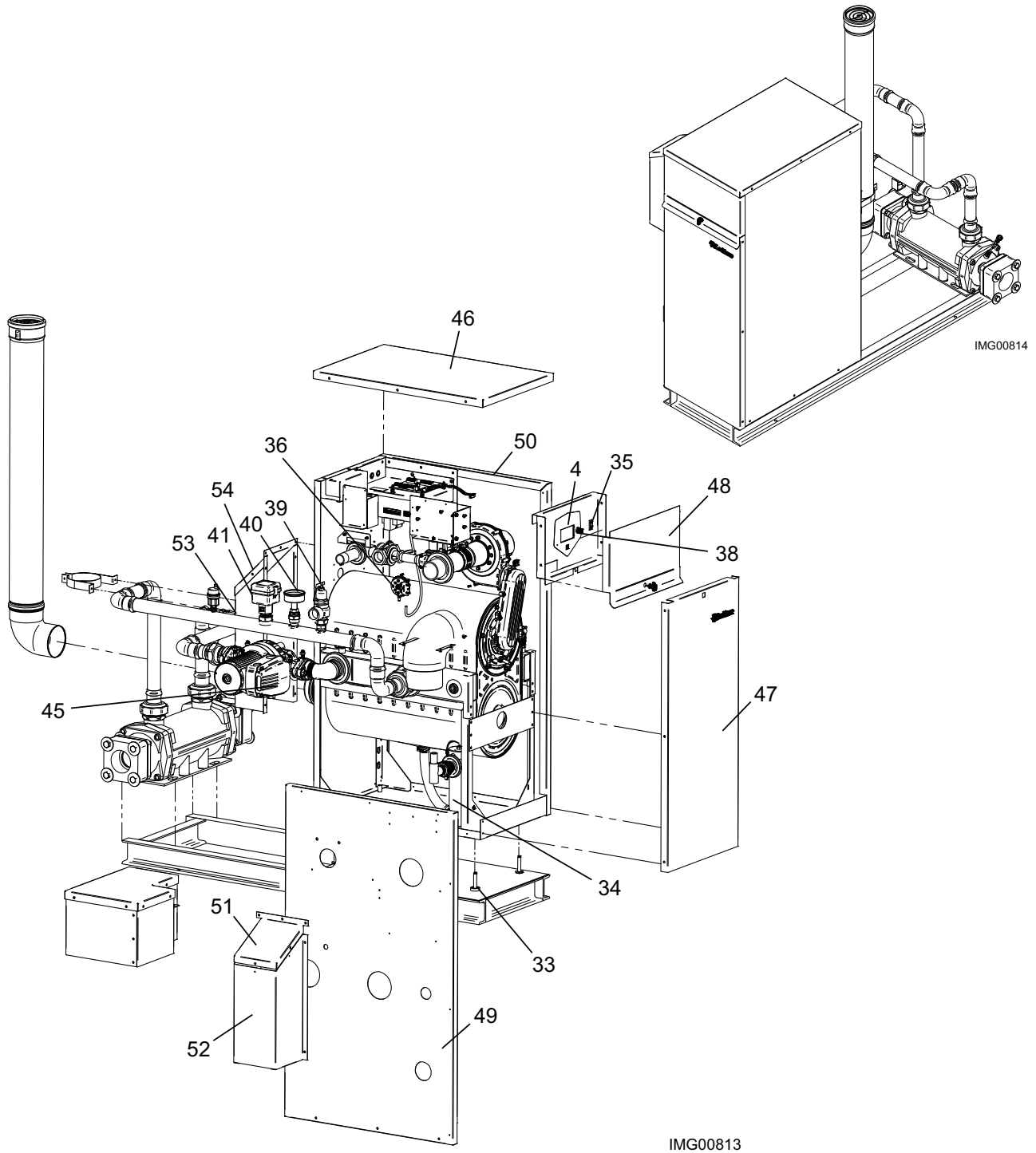




PARTS & SERVICE DEPARTMENT
 Nashville, Tennessee
 615-889-8900 • Fax: 615-882-2918
 parts_team@lochinvar.com
 www.Lochinvar.com

Replacement Parts List

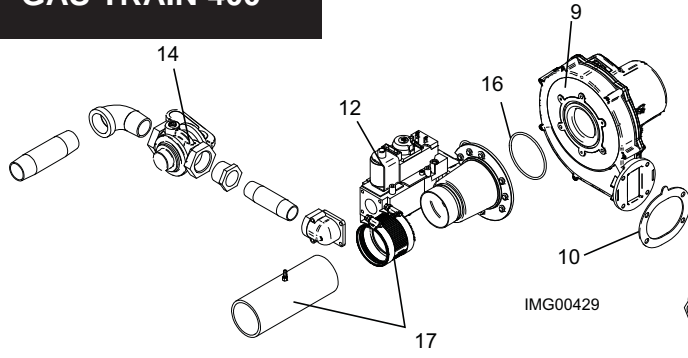
Outdoor Knight XL
AQUAS™ COMMERCIAL POOL PACKAGE
OXN 400 thru 801



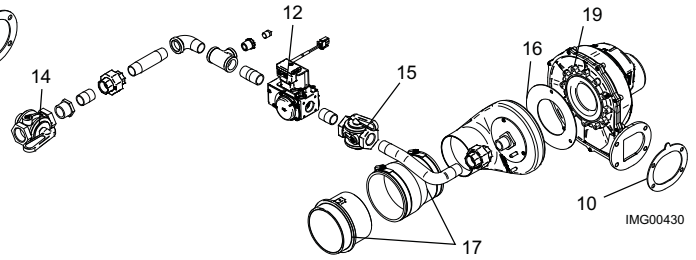
IMG00814

IMG00813

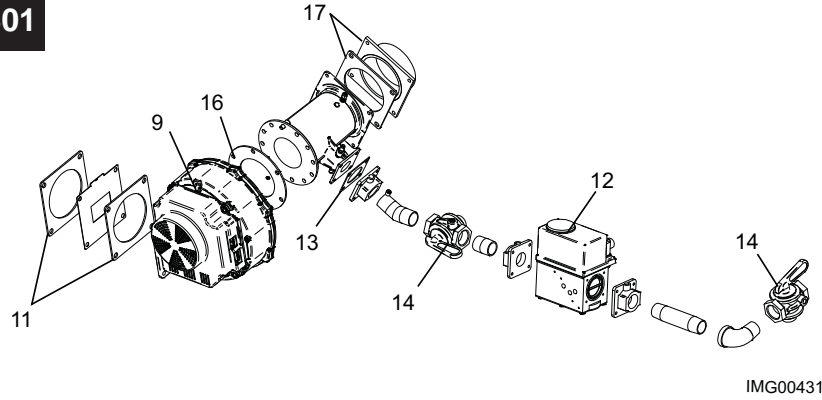
GAS TRAIN 400



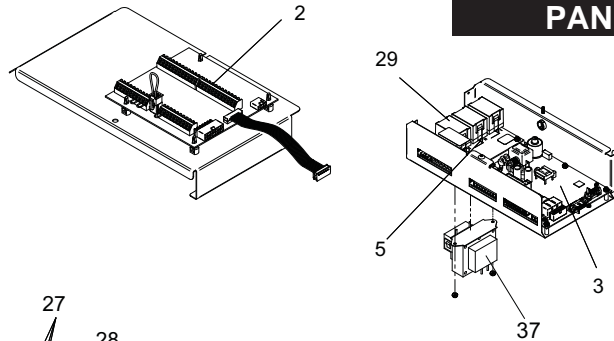
GAS TRAIN 501



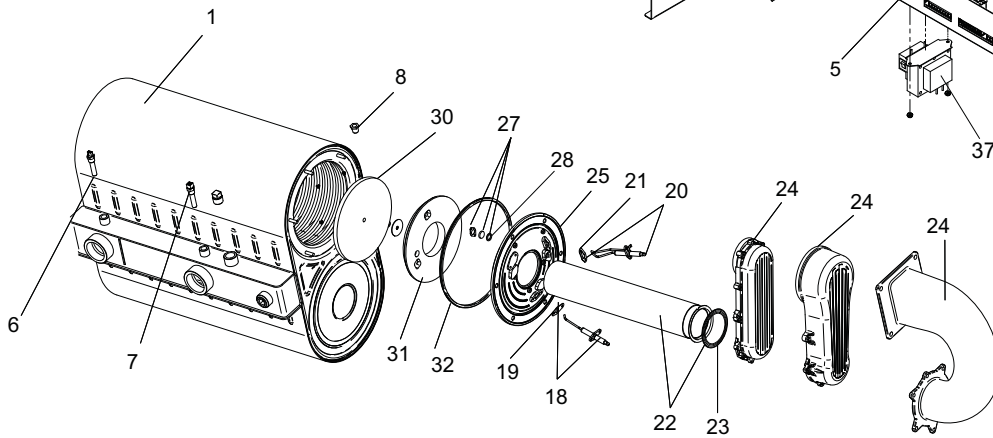
GAS TRAIN 601-801



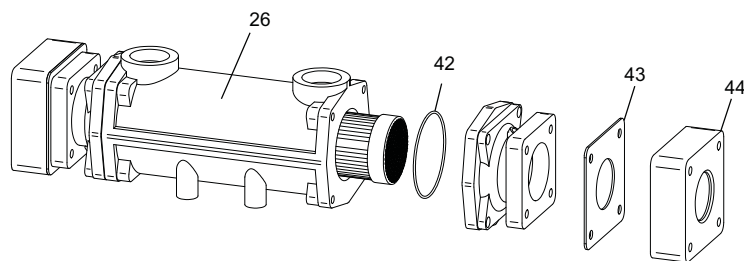
CONTROL PANEL



HEAT EXCHANGER 400-801



SECONDARY/AUXILIARY HEAT EXCHANGER



ITEM NO.	PART NO.	DESCRIPTION	MODEL
HEAT EXCHANGER ASSEMBLY			
1	HEX3081	HEAT EXCHANGER	OX 400
1	HEX3082	HEAT EXCHANGER	OX 501
1	HEX3088	HEAT EXCHANGER	OX 601
1	HEX3089	HEAT EXCHANGER	OX 701
1	HEX3090	HEAT EXCHANGER	OX 801
CONTROLS			
2	RLY20062	LOW VOLTAGE CONNECTION BOARD	ALL
3	RLY30072	INTEGRATED CONTROL	OX 400
3	RLY30073	INTEGRATED CONTROL	OX 501
3	RLY30074	INTEGRATED CONTROL	OX 601 - 801
4	RLY20058	USER INTERFACE CONTROL	ALL
5	RLY2085	RELAY BOARD, 1.5 HP PUMP	ALL
6	TST2060	INLET SENSOR	ALL
7	TST20009	OUTLET SENSOR / HIGH LIMIT	ALL
8	RLV30000	AIR VENT VALVE	ALL
9	FAN3035	FAN ASSEMBLY	OX 400
9	FAN3037	FAN ASSEMBLY	OX 501
9	FAN30001	FAN ASSEMBLY	OX 601 - 801
10	GKT2436	GASKET, BLOWER / AIR ARM	OX 400
10	GKT2438	GASKET, BLOWER / AIR ARM	OX 501
11	GKT2034	GASKET, BLOWER / AIR ARM	OX 601 - 801
GAS VALVES			
12	VAL3204	GAS VALVE ASSEMBLY	OX 400
12	VAL3207	GAS VALVE ASSEMBLY NAT	OXN501
12	VAL3212	GAS VALVE ASSEMBLY NAT	OXN601
12	VAL30006	GAS VALVE ASSEMBLY NAT	OXN701
12	VAL3213	GAS VALVE ASSEMBLY NAT	OXN801
12	VAL30011	GAS VALVE ASSEMBLY LP	OXL501
12	VAL30012	GAS VALVE ASSEMBLY LP	OXL601
12	VAL30013	GAS VALVE ASSEMBLY LP	OXL701
12	VAL30014	GAS VALVE ASSEMBLY LP	OXL801
13	GKT2050	GASKET, GAS VALVE	OX 601 - 801
14	GAC2029	GAS CUT OFF VALVE 1X1	OX 400, 601 - 801
15	GAC2028	GAS CUT OFF VALVE 3/4 X 3/4	OX 501
16	GKT2444	GASKET, VENTURI	OX 400
16	GKT2080	GASKET, AIR SHROUD	OX 501
16	GKT2049	GASKET, VENTURI	OX 601 - 801
17	MSC30033	AIR INLET, KIT	OX 400
17	MSC30034	AIR INLET, KIT	OX 501
17	MSC30035	AIR INLET, KIT	OX 601 - 801
PILOT & BURNER ASSEMBLIES			
18	PLT3022	FLAME SENSOR W/ GASKET	OX 400 - 501
18	PLT3023	FLAME SENSOR W/ GASKET	OX 601 - 801
19	GKT2450	GASKET, FLAME SENSOR	OX 400 - 501
20	PLT3021	IGNITOR W/ GASKET	OX 400 - 501
20	PLT30000	IGNITOR W/ GASKET	OX 601 - 801
21	GKT2449	GASKET, IGNITOR	ALL
22	BNR3429	BURNER W/ GASKET	OX 400 - 501
22	BNR3432	BURNER W/ GASKET	OX 601
22	BNR3433	BURNER W/ GASKET	OX 701
22	BNR3434	BURNER W/ GASKET	OX 801
23	GKT2451	GASKET, BURNER	OX 400/501
23	GKT2062	GASKET, BURNER	OX 601 - 801
24	WTR3078	GAS/AIR ARM ASSEMBLY W/ GASKET	OX 400
24	WTR3079	GAS/AIR ARM ASSEMBLY W/ GASKET	OX 501
24	WTR3085	GAS/AIR ARM ASSEMBLY W/ GASKET	OX 601 - 801
25	WTR3080	HEAT EXCHANGER ACCESS DOOR KIT	OX 400 - 501
25	WTR3086	HEAT EXCHANGER ACCESS DOOR KIT	OX 601 - 801
INDIRECT HEAT EXCHANGER			
26	HEX20016	HEAT EXCHANGER, INDIRECT	OX 400 - 601
26	HEX20017	HEAT EXCHANGER, INDIRECT	OX 701 - 801
MISCELLANEOUS			
27	MSC3180	SIGHT GLASS	ALL
28	GKT2453	GASKET, SIGHT GLASS	ALL
29	RLY2222	RELAY, 1.5 HP PUMP	ALL
30	FIB2167	DIVIDER PLATE, INSULATION, BAFFLE	ALL
31	FIB2168	BURNER PLATE, INSULATION, DOOR	OX 400 - 501
PLEASE HAVE MODEL AND SERIAL NUMBER WHEN ORDERING PARTS			

ITEM NO.	PART NO.	DESCRIPTION	MODEL
MISCELLANEOUS (CONTINUED)			
31	FIB2146	BURNER PLATE, INSULATION, DOOR	OX 601 - 801
32	GKT2455	GASKET, DOOR, RUBBER	OX 400 - 501
32	GKT2063	GASKET, DOOR, RUBBER	OX 601 - 801
33	BLT2104	LEVELING LEGS	ALL
34	MSC30050	CONDENSATE TRAP	ALL
-	SWT2011	BLOCKED DRAIN SWITCH	ALL
35	SWT2006	ON/OFF SWITCH	ALL
36	PRS20002	PRESSURE SWITCH	OX 400
36	PRS20020	PRESSURE SWITCH	OX 501
36	PRS20019	PRESSURE SWITCH	OX 601 - 801
37	TRF20000	TRANSFORMER, 40VA	OX 400 - 701
37	TRF20002	TRANSFORMER, 60VA	OX 801
38	MSC20123	KNOB, FLUTED W/ SKIRT	ALL
39	RLV2002	RELIEF VALVE 30 PSI	ALL
40	GTP2900	GAUGE TRIOMETER, 75# PSI	ALL
41	WTR2210	FLOW SWITCH	ALL
42	GKT30002	GASKET, O-RING	OX 400 - 601
42	GKT30003	GASKET, O-RING	OX 701 - 801
43	GKT30010	GASKET, FLANGE	OX 400 - 601
43	GKT30011	GASKET, FLANGE	OX 701 - 801
44	PVC20040	FLANGE, 2 1/2" CPVC	OX 400 - 601
44	PVC20039	FLANGE, 3" CPVC	OX 701 - 801
-	FUS20001	0.8 AMP	ALL
-	FUS2001	3.15 AMP	ALL
-	FUS2002	5 AMP	ALL
-	MSC2514	HIGH VOLTAGE CONNECTION BOARD	ALL
-	TST30006	POOL SENSOR KIT	ALL
-	TST30011	FLUE TEMP SENSOR KIT	ALL
-	WTR30024	MRLWCO WITH MANUAL RESET	ALL
-	KIT3087	NEUTRALIZER KIT	OX 400 - 501
-	KIT3046	NEUTRALIZER KIT	OX 601 - 801
-	KIT3085	ALARM BELL	ALL
-	LPK3949	LP CONVERSION KIT	OX 400
-	LPK3950	LP CONVERSION KIT	OX 501 - 801
-	LBL20279	USER INTERFACE OVERLAY	ALL
PUMP			
45	PUM30020	PUMP	OX 400 - 501
45	PUM30018	PUMP	OX 601 - 801
JACKET ASSEMBLY			
46	JKB30098	JACKET, TOP	OX 400
46	JKB30099	JACKET, TOP	OX 501
46	JKB30100	JACKET, TOP	OX 601
46	JKB30101	JACKET, TOP	OX 701
46	JKB30102	JACKET, TOP	OX 801
47	JKB30032	JACKET, FRONT, LOWER	OX 400 - 801
48	JKB30104	JACKET, FRONT, UPPER	ALL
49	JKB30105	JACKET, LEFT SIDE	OX 400
49	JKB30106	JACKET, LEFT SIDE	OX 501
49	JKB30107	JACKET, LEFT SIDE	OX 601
49	JKB30108	JACKET, LEFT SIDE	OX 701
49	JKB30109	JACKET, LEFT SIDE	OX 801
50	JKB60632	JACKET, RIGHT SIDE	OX 400
50	JKB60634	JACKET, RIGHT SIDE	OX 501
50	JKB60508	JACKET, RIGHT SIDE	OX 601
50	JKB60636	JACKET, RIGHT SIDE	OX 701
50	JKB60602	JACKET, RIGHT SIDE	OX 801
51	JKB60676	COVER, AIR INLET BOX TOP	OX 400
51	JKB60526	COVER, AIR INLET BOX TOP	OX 501 - 801
52	JKB30071	COVER, AIR INLET BOX	OX 400
52	JKB30072	COVER, AIR INLET BOX	OX 501 - 801
53	JKB60514	COVER,FLUE BOX	OX 400 - 601
53	JKB60608	COVER,FLUE BOX	OX 701 - 801
54	JKB30059	COVER,FLUE BOX TOP	OX 400 - 601
54	JKB30060	COVER,FLUE BOX TOP	OX 701 - 801

PLEASE HAVE MODEL AND SERIAL NUMBER WHEN ORDERING PARTS