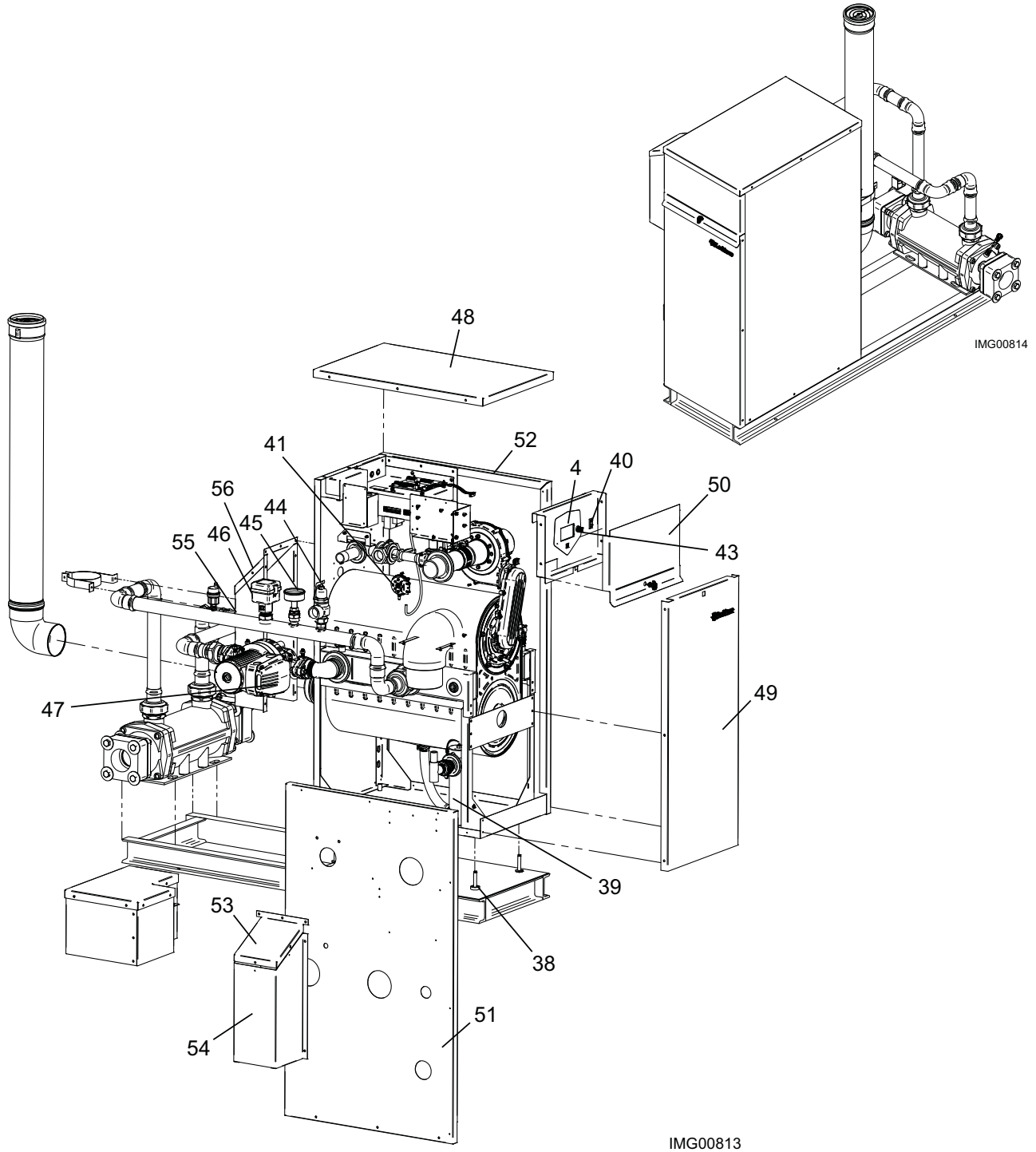




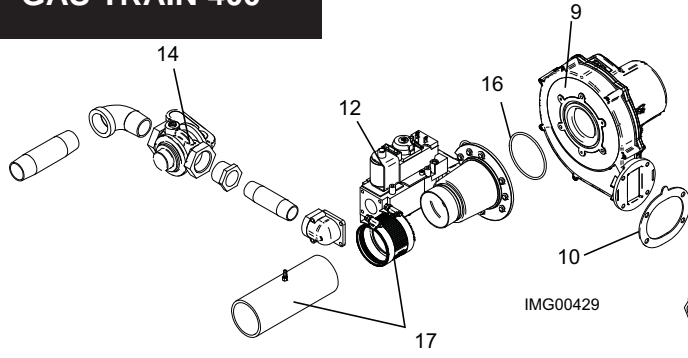
PARTS & SERVICE DEPARTMENT
 Nashville, Tennessee
 615-889-8900 • Fax: 615-882-2918
 parts_team@lochinvar.com
 www.Lochinvar.com

Replacement Parts List

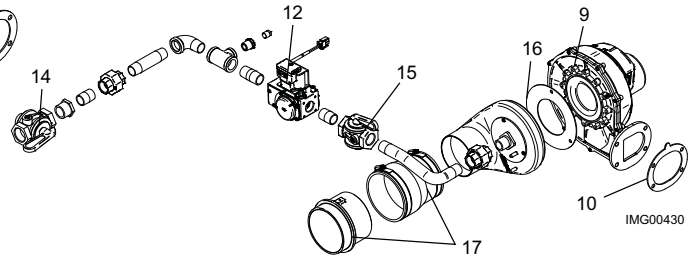
Outdoor Knight XL
AQUAS™ COMMERCIAL POOL PACKAGE
OXN 400 thru 801



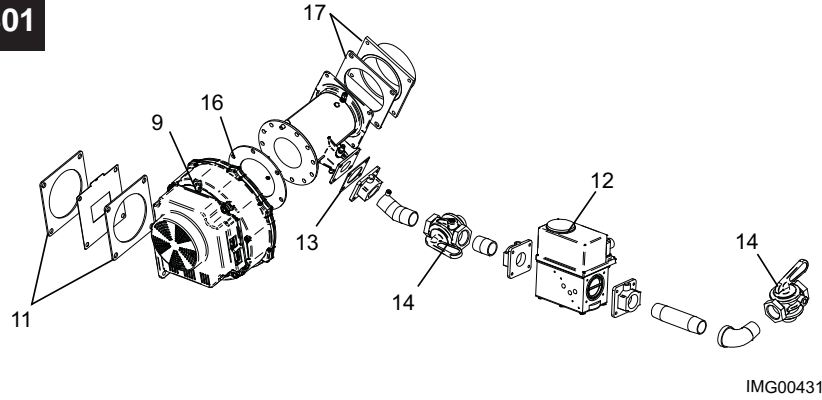
GAS TRAIN 400



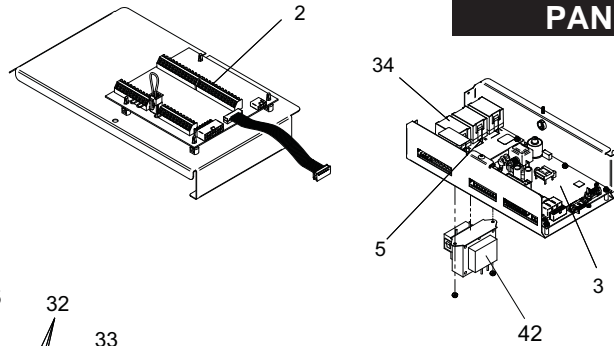
GAS TRAIN 501



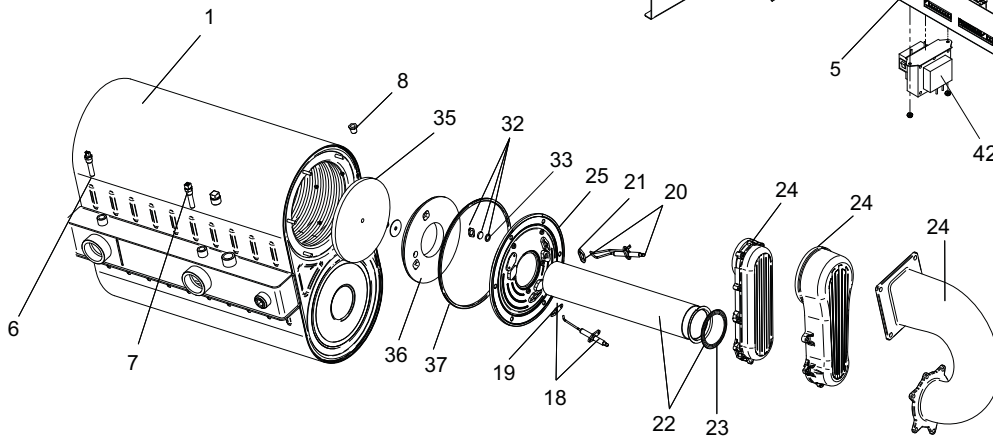
GAS TRAIN 601-801



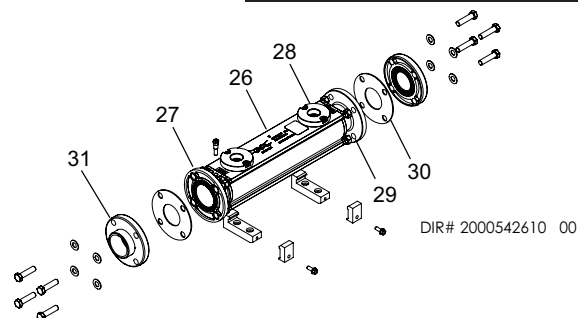
CONTROL PANEL



HEAT EXCHANGER 400-801



SECONDARY/AUXILIARY HEAT EXCHANGER



ITEM NO.	PART NO.	DESCRIPTION	MODEL
HEAT EXCHANGER ASSEMBLY			
1	100147457	HEAT EXCHANGER	OX 400
1	100147458	HEAT EXCHANGER	OX 501
1	100147460	HEAT EXCHANGER	OX 601
1	100147461	HEAT EXCHANGER	OX 701
1	100147462	HEAT EXCHANGER	OX 801
CONTROLS			
2	100167579	LOW VOLTAGE CONNECTION BOARD	ALL
3	100167830	INTEGRATED CONTROL	OX 400
3	100167831	INTEGRATED CONTROL	OX 501
3	100167832	INTEGRATED CONTROL	OX 601 - 801
4	100167575	USER INTERFACE CONTROL	ALL
5	100167683	RELAY BOARD, 1.5 HP PUMP	ALL
6	100170596	INLET SENSOR	ALL
7	100170537	OUTLET SENSOR / HIGH LIMIT	ALL
8	100167445	AIR VENT VALVE	ALL
9	100145008	FAN ASSEMBLY	OX 400
9	100145009	FAN ASSEMBLY	OX 501
9	100144980	FAN ASSEMBLY	OX 601 - 801
10	100146541	GASKET, BLOWER / AIR ARM	OX 400
10	100146542	GASKET, BLOWER / AIR ARM	OX 501
11	100146458	GASKET, BLOWER / AIR ARM	OX 601 - 801
GAS VALVES			
12	100172006	GAS VALVE ASSEMBLY	OX 400
12	100172009	GAS VALVE ASSEMBLY NAT	OXN501
12	100172014	GAS VALVE ASSEMBLY NAT	OXN601
12	100171923	GAS VALVE ASSEMBLY NAT	OXN701
12	100172015	GAS VALVE ASSEMBLY NAT	OXN801
12	100171928	GAS VALVE ASSEMBLY LP	OXL501
12	100171929	GAS VALVE ASSEMBLY LP	OXL601
12	100171930	GAS VALVE ASSEMBLY LP	OXL701
12	100171931	GAS VALVE ASSEMBLY LP	OXL801
13	100146470	GASKET, GAS VALVE	OX 601 - 801
14	100146149	GAS CUT OFF VALVE 1X1	OX 400, 601 - 801
15	100146148	GAS CUT OFF VALVE 3/4 X 3/4	OX 501
16	100146547	GASKET, VENTURI	OX 400
16	100146494	GASKET, AIR SHROUD	OX 501
16	100146469	GASKET, VENTURI	OX 601 - 801
17	100163225	AIR INLET, KIT	OX 400
17	100163226	AIR INLET, KIT	OX 501
17	100163227	AIR INLET, KIT	OX 601 - 801
PILOT & BURNER ASSEMBLIES			
18	100165930	FLAME SENSOR W/ GASKET	OX 400 - 501
18	100165931	FLAME SENSOR W/ GASKET	OX 601 - 801
19	100146550	GASKET, FLAME SENSOR	OX 400 - 501
20	100165929	IGNITOR W/ GASKET	OX 400 - 501
20	100165920	IGNITOR W/ GASKET	OX 601 - 801
21	100146549	GASKET, IGNITOR	ALL
22	100135311	BURNER W/ GASKET	OX 400 - 501
22	100135313	BURNER W/ GASKET	OX 601
22	100135314	BURNER W/ GASKET	OX 701
22	100135315	BURNER W/ GASKET	OX 801
23	100146551	GASKET, BURNER	OX 400/501
23	100146481	GASKET, BURNER	OX 601 - 801
24	100173792	GAS/AIR ARM ASSEMBLY W/ GASKET	OX 400
24	100173793	GAS/AIR ARM ASSEMBLY W/ GASKET	OX 501
24	100173798	GAS/AIR ARM ASSEMBLY W/ GASKET	OX 601 - 801
25	100173794	HEAT EXCHANGER ACCESS DOOR KIT	OX 400 - 501
25	100173799	HEAT EXCHANGER ACCESS DOOR KIT	OX 601 - 801
INDIRECT HEAT EXCHANGER			
26	100208919	KIT, HEAT EXCHANGER, INDIRECT, CUNI, 1.0, SVC	OX 400 - 601
26	100208920	KIT, HEAT EXCHANGER, INDIRECT, CUNI, 1.5, SVC	OX 701 - 801
26	100208922	KIT, HEAT EXCHANGER, INDIRECT, TI, 1.0, SVC	OX 400 - 601
26	100208923	KIT, HEAT EXCHANGER, INDIRECT, TI, 1.5, SVC	OX 701 - 801
27	100209139	KIT, END CAP FLANGE, 3"	OX 400 - 601
27	100209140	KIT, END CAP FLANGE, 4"	OX 701 - 801
28	100208989	KIT, O-RING, 139.7 X 5.33, END CAP	OX 400 - 601
29	100232478	KIT, O-RING, 78.97 X 3.53, BOILER CONNECTION	OX 701 - 801

PLEASE HAVE MODEL AND SERIAL NUMBER WHEN ORDERING PARTS

ITEM NO.	PART NO.	DESCRIPTION	MODEL
INDIRECT HEAT EXCHANGER (CONTINUED)			
30	100146441	GASKET, 3", EPDM	OX 400 - 601
30	100146433	GASKET, 4", EPDM	OX 701 - 801
31	100166553	FLANGE, 3", CPVC	OX 400 - 601
31	100166550	FLANGE, 4", CPVC	OX 701 - 801
MISCELLANEOUS			
32	100163249	SIGHT GLASS	ALL
33	100146553	GASKET, SIGHT GLASS	ALL
34	100167708	RELAY, 1.5 HP PUMP	ALL
35	100145494	DIVIDER PLATE, INSULATION, BAFFLE	ALL
36	100145495	BURNER PLATE, INSULATION, DOOR	OX 400 - 501
36	100145476	BURNER PLATE, INSULATION, DOOR	OX 601 - 801
37	100146555	GASKET, DOOR, RUBBER	OX 400 - 501
37	100146482	GASKET, DOOR, RUBBER	OX 601 - 801
38	100134788	LEVELING LEGS	ALL
39	100163244	CONDENSATE TRAP	ALL
-	100169481	BLOCKED DRAIN SWITCH	ALL
40	100169476	ON/OFF SWITCH	ALL
41	100166100	PRESSURE SWITCH	OX 400
41	100166114	PRESSURE SWITCH	OX 501
41	100166113	PRESSURE SWITCH	OX 601 - 801
42	100170172	TRANSFORMER, 40VA	OX 400 - 701
42	100170173	TRANSFORMER, 60VA	OX 801
43	100162600	KNOB, FLUTED W/ SKIRT	ALL
44	100167399	RELIEF VALVE 30 PSI	ALL
45	100146999	GAUGE TRIOMETER, 75# PSI	ALL
46	100173714	FLOW SWITCH	ALL
-	100146010	FUSE, 0.8 AMP	ALL
-	100146012	FUSE, 3.15 AMP	ALL
-	100146013	FUSE, 5 AMP	ALL
-	100163053	HIGH VOLTAGE CONNECTION BOARD	ALL
-	100170639	POOL SENSOR KIT	ALL
-	100170642	FLUE TEMP SENSOR KIT	ALL
-	100173773	MRLWCO WITH MANUAL RESET	ALL
-	100157721	NEUTRALIZER KIT	OX 400 - 501
-	100157700	NEUTRALIZER KIT	OX 601 - 801
-	100157719	ALARM BELL	ALL
-	100159011	LP CONVERSION KIT	OX 400
-	100159012	LP CONVERSION KIT	OX 501 - 801
-	100158144	USER INTERFACE OVERLAY	ALL
PUMP			
47	100166418	PUMP	OX 400 - 501
47	100166416	PUMP	OX 601 - 801
JACKET ASSEMBLY			
48	100149773	JACKET, TOP	OX 400
48	100149774	JACKET, TOP	OX 501
48	100149775	JACKET, TOP	OX 601
48	100149776	JACKET, TOP	OX 701
48	100149777	JACKET, TOP	OX 801
49	100149708	JACKET, FRONT, LOWER	OX 400 - 801
50	100149778	JACKET, FRONT, UPPER	ALL
51	100149779	JACKET, LEFT SIDE	OX 400
51	100149780	JACKET, LEFT SIDE	OX 501
51	100149781	JACKET, LEFT SIDE	OX 601
51	100149782	JACKET, LEFT SIDE	OX 701
51	100149783	JACKET, LEFT SIDE	OX 801
52	100150713	JACKET, RIGHT SIDE	OX 400
52	100150715	JACKET, RIGHT SIDE	OX 501
52	100150600	JACKET, RIGHT SIDE	OX 601
52	100150716	JACKET, RIGHT SIDE	OX 701
52	100150687	JACKET, RIGHT SIDE	OX 801
53	100150752	COVER, AIR INLET BOX TOP	OX 400
53	100150612	COVER, AIR INLET BOX TOP	OX 501 - 801
54	100149747	COVER, AIR INLET BOX	OX 400
54	100149748	COVER, AIR INLET BOX	OX 501 - 801
55	100150606	COVER, FLUE BOX	OX 400 - 601
55	100150692	COVER, FLUE BOX	OX 701 - 801
56	100149735	COVER, FLUE BOX TOP	OX 400 - 601
56	100149736	COVER, FLUE BOX TOP	OX 701 - 801

PLEASE HAVE MODEL AND SERIAL NUMBER WHEN ORDERING PARTS