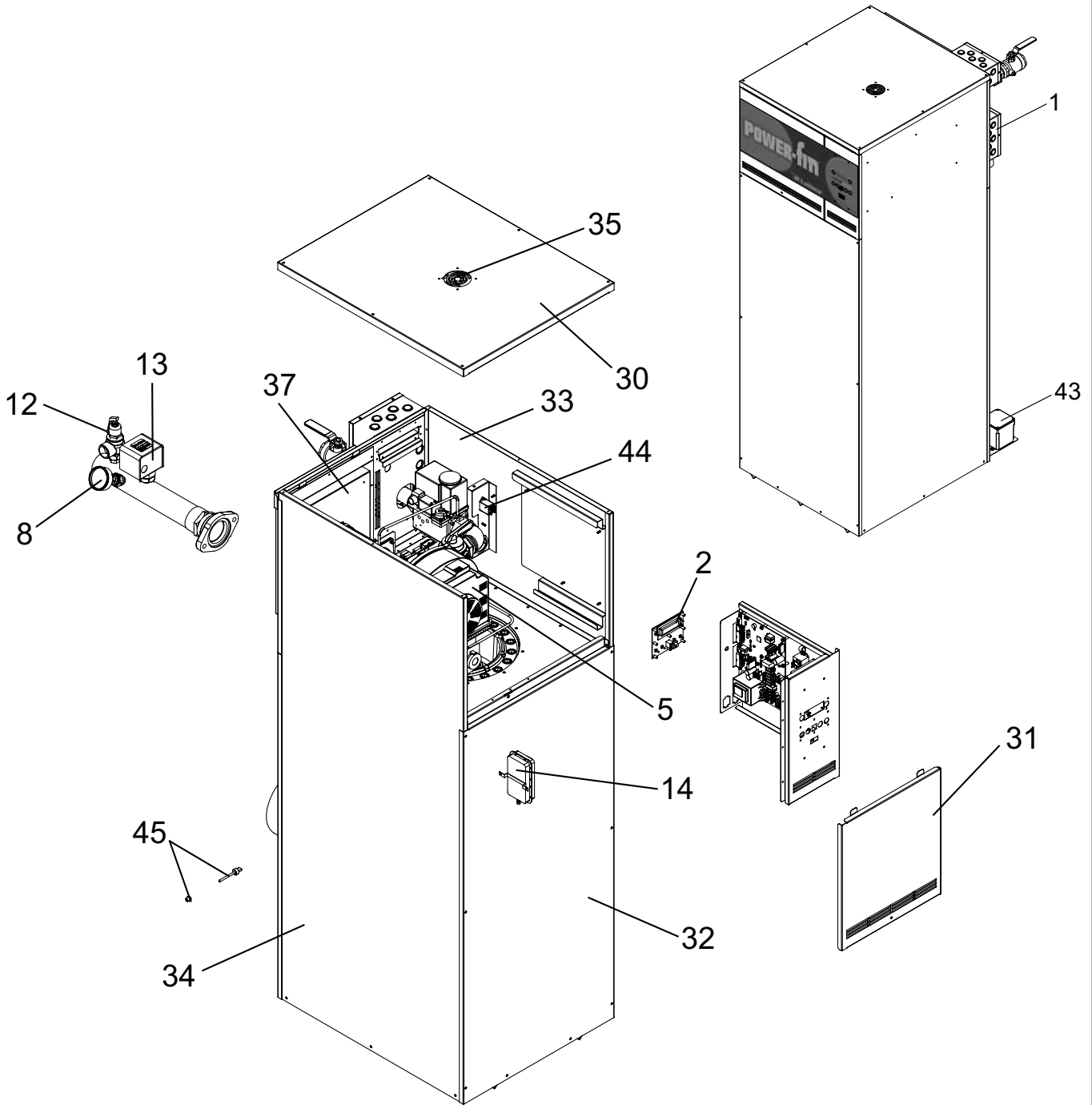




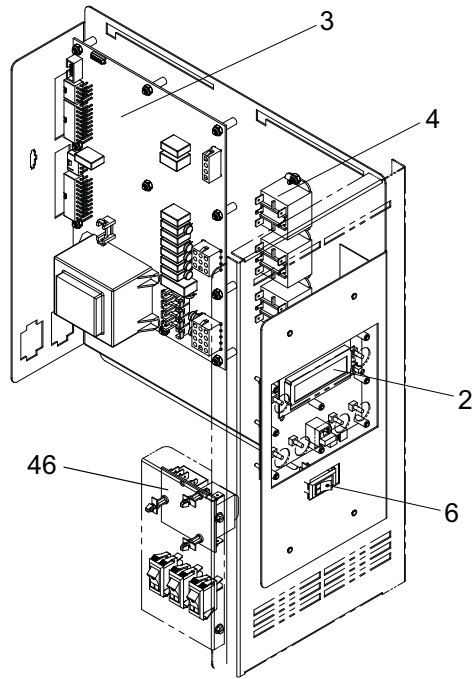
Replacement Parts List

PARTS & SERVICE DEPARTMENT
 Nashville, Tennessee
 615-889-8900 • Fax: 615-882-2918
 parts_team@lochinvar.com
 www.Lochinvar.com

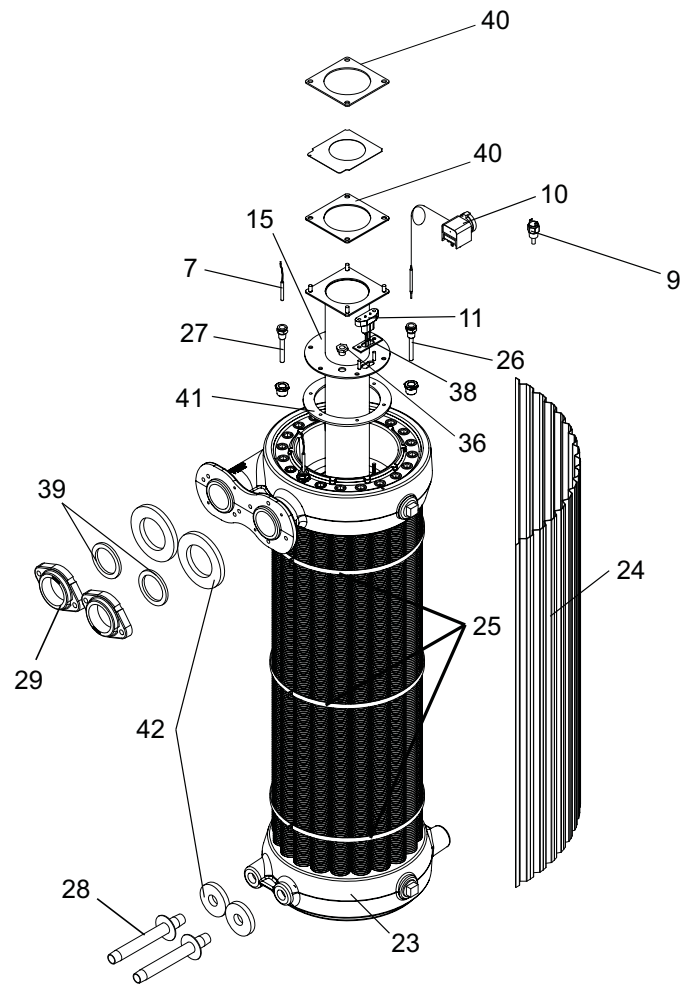
Power-Fin®
 Heating Boilers & Hot Water Supply Boilers
 PB/PF 502 thru 1302



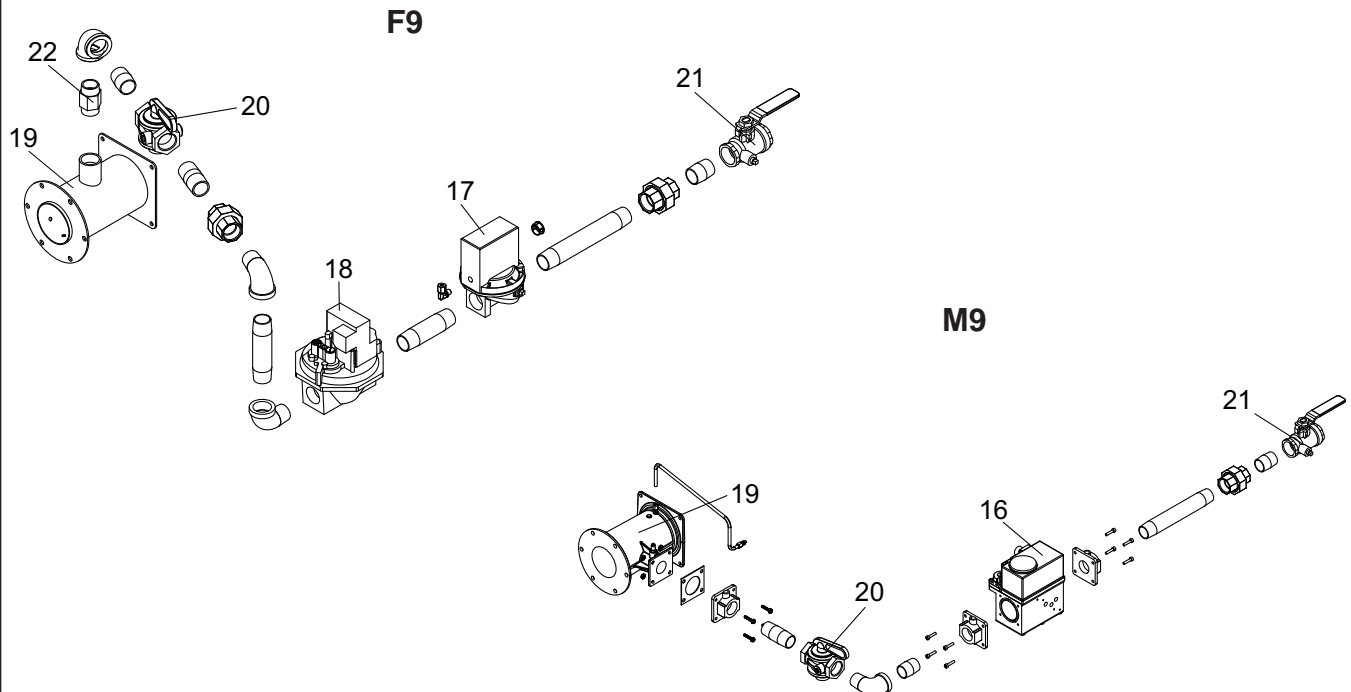
CONTROL PANEL ASSEMBLY



HEAT EXCHANGER ASSEMBLY



GAS TRAIN ASSEMBLIES



ITEM NO.	PART NO.	DESCRIPTION	MODEL NO.
CONTROLS & GAUGES			
1	RLY2114	CONNECTION BOARD	ALL
2	RLY2210	BOARD, CONTROL ,USER INTERFACE	ALL
3	RLY2100	BOARD, CONTROL, MAIN	ALL
4	RLY2706	PUMP RELAY	ALL
5	FAN3727	FAN, COMBUSTION AIR	ALL
6	SWT2006	ON/OFF SWITCH	ALL
7	TST2032	THERMOSTAT SENSOR	F9
8	GTP2900	GAUGE, TEMP AND PRESSURE	PB
9	HLC2510	THERMOSTAT, HI LIMIT 200 DEGREE	PF
10	HLC2701	THERMOSTAT, HI LIMIT W/ AUTO RESET	ALL
11	PLT3400	IGNITOR, HOT SURFACE	ALL
12	RLV2001	RELIEF VALVE, PRESSURE ONLY	PB 502-1002
12	RLV2003	RELIEF VALVE, PRESSURE ONLY	PB 1302
12	RLV2007	RELIEF VALVE, TEMPERATURE & PRESSURE	PF
13	WTR2040	FLOW SWITCH	ALL
14	PRS2431	SWITCH, LOW AIR	502 - LP - F9
14	PRS2432	SWITCH, LOW AIR	502 - NAT - F9
14	PRS2433	SWITCH, LOW AIR	752 - LP - F9
14	PRS2434	SWITCH, LOW AIR	752 - NAT - F9
14	PRS2435	SWITCH, LOW AIR	1002 - LP - F9
14	PRS2436	SWITCH, LOW AIR	1002 - NAT - F9
14	PRS2437	SWITCH, LOW AIR	1302-F9
14	PRS30002	SWITCH, LOW AIR BEFORE D08	502 - LP - M9
14	PRS20008	SWITCH, LOW AIR AFTER D08	502 - LP - M9
14	PRS30001	SWITCH, LOW AIR BEFORE D08	502 NAT & 752-1302-M9 NAT/LP
14	PRS20006	SWITCH, LOW AIR AFTER D08	502 NAT & 752-1302-M9 NAT/LP
GAS TRAIN ASSEMBLIES			
15	BNR3713	BURNER	502
15	BNR3714	BURNER	752
15	BNR3715	BURNER	1002
15	BNR3716	BURNER	1302
16	VAL3417	VALVE, GAS NAT	502-M9 NAT
16	VAL3418	VALVE, GAS NAT	752-M9 NAT
16	VAL3419	VALVE, GAS NAT	1002-M9 NAT
16	VAL3420	VALVE, GAS NAT	1302-M9 NAT
16	VAL30018	VALVE, GAS LP	502-M9 LP
16	VAL30019	VALVE, GAS LP	752-M9 LP
16	VAL30020	VALVE, GAS LP	1002-M9 LP
16	VAL30021	VALVE, GAS LP	1302-M9 LP
17	VAL2131	VALVE, GAS DIAPHRAGM 1"	502-F9 NAT & LP
17	VAL2132	VALVE, GAS DIAPHRAGM 1 1/4"	752-1002-1302 - NAT & LP - F9
18	VAL2133	VALVE, MAIN GAS 1"	502 - NAT - F9
18	VAL2727	VALVE, MAIN GAS 1"	502 - LP - F9
18	VAL2134	VALVE, MAIN GAS 1 1/4"	752-1002-1302 - NAT - F9
18	VAL2726	VALVE, MAIN GAS 1 1/4"	752-1002-1302 - LP - F9
19	VAL2722	VALVE, VENTURI	502-M9
19	VAL2723	VALVE, VENTURI	752-1002-M9
19	VAL2724	VALVE, VENTURI	1302-M9
19	MAN2149	VALVE, VENTURI	ALL F9
20	GAC2029	GAS COCK	502
20	GAC2030	GAS COCK	752-1002-1302
21	VAL2207	VALVE, BALL	ALL 502
21	VAL2208	VALVE, BALL	752-1002-F9 & 752-1002-1302-M9
22	ORF2762	ORIFICE, BURNER	502 - NAT - F9
22	ORF2763	ORIFICE, BURNER	752 - NAT - F9
22	ORF2764	ORIFICE, BURNER	1002 - NAT - F9
22	ORF2765	ORIFICE, BURNER	1302 - NAT - F9
22	ORF2766	ORIFICE, BURNER	502 - LP - F9
22	ORF2767	ORIFICE, BURNER	752 - LP - F9
22	ORF2768	ORIFICE, BURNER	1002 - LP - F9
22	ORF2769	ORIFICE, BURNER	1302 - LP - F9

PLEASE HAVE MODEL NUMBER AND SERIAL NUMBER WHEN ORDERING PARTS

ITEM NO.	PART NO.	DESCRIPTION	MODEL NO.
HEAT EXCHANGER ASSEMBLIES			
23	HEX3228	HEAT EXCHANGER(HLW)	PF502
23	HEX3236	HEAT EXCHANGER (H)	PB502
23	HEX3229	HEAT EXCHANGER(HLW)	PF752
23	HEX3237	HEAT EXCHANGER (H)	PB752
23	HEX3230	HEAT EXCHANGER(HLW)	PF1002
23	HEX3238	HEAT EXCHANGER (H)	PB1002
23	HEX3231	HEAT EXCHANGER(HLW)	PF1302
23	HEX3239	HEAT EXCHANGER (H)	PB1302
24	JKH2016	V BAFFLE (20 REQ.)	502
24	JKH2017	V BAFFLE (20 REQ.)	752
24	JKH2018	V BAFFLE (20 REQ.)	1002
24	JKH2019	V BAFFLE (20 REQ.)	1302
25	JKP6569	V BAFFLE STRAP (3 REQ.)	ALL
26	TST2300	HIGH LIMIT BULBWELL	ALL
27	TST2306	THERMOSTAT BULBWELL 3/8"	ALL
28	DRV4003	DRAIN PIPE ASSEMBLY	PB
28	DRV40000	DRAIN PIPE ASSEMBLY	PF
29	WTR3718	HEAT EXCHANGER FLANGE	ALL
JACKET/DOOR ASSEMBLIES			
30	FAN30002	JACKET TOP, WITH VENTILATION FAN	ALL
31	JKH6742	JACKET, OUTER FRONT UPPER LEFT	ALL
32	JKH6738	JACKET, OUTER FRONT LOWER	502
32	JKH6739	JACKET, OUTER FRONT LOWER	752
32	JKH6740	JACKET, OUTER FRONT LOWER	1002
32	JKH6741	JACKET, OUTER FRONT LOWER	1302
33	JKH5086	JACKET, OUTER RIGHT	502
33	JKH5087	JACKET, OUTER RIGHT	752
33	JKH5088	JACKET, OUTER RIGHT	1002
33	JKH5089	JACKET, OUTER RIGHT	1302
34	JKH6989	JACKET, OUTER LEFT	502
34	JKH6990	JACKET, OUTER LEFT	752
34	JKH6991	JACKET, OUTER LEFT	1002
34	JKH6992	JACKET, OUTER LEFT	1302
MISCELLANEOUS			
35	FAN2027	FAN, VENTILATION	ALL
36	MSC2731	BURNER SIGHT GLASS	ALL
37	FIL2001	AIR FILTER	ALL
38	GKT2012	IGNITOR GASKET	ALL
39	GKT2033	FLANGE GASKET	ALL
40	GKT2034	BURNER/BLOWER GASKET	ALL
41	GKT2079	BURNER/ HEX GASKET	ALL
42	GKT2705	HEX/DIVIDER PANEL GASKET	ALL
43	MSC2975	CONDENSATE TRAP	ALL
44	RLY2902	RELAY, LOUVER	ALL
45	TST3012	FLUE SENSOR	ALL
46	WTR2530	LOW WATER CUT-OFF, MANUAL RESET (OPTIONAL) PRIOR TO H08H00211095	ALL
46	WTR30000	LOW WATER CUT-OFF, MANUAL RESET (OPTIONAL) BEGINNING H08H00211095	ALL
46	WTR2528	LOW WATER CUT-OFF, AUTO RESET (OPTIONAL) PRIOR TO H08H00211095	ALL
46	WTR30001	LOW WATER CUT-OFF, AUTO RESET (OPTIONAL) BEGINNING H08H00211095	ALL
-	WTR2222	LOW WATER CUT-OFF PROBE (OPTIONAL)	ALL
-	WTR20000	LOW WATER CUT-OFF BOOT (OPTIONAL)	ALL
-	FUS2001	FUSE, 3.15A 5X22MM	ALL
-	FUS2002	FUSE, 5A 5X22MM	ALL
-	FUS2003	FUSE, 1.6A 5X20MM	ALL
-	PUM3013	PUMP	ALL PF
-	GKT2053	JACKET GASKET	ALL
-	GKT30000	GASKET, PVC 1/4 X 5/8 X 25'	ALL
-	KIT3115	KIT, OUTDOOR AIR RESET	ALL
-	KIT3109	KIT, ALARM ON ANY FAILURE WITH BELL	ALL
-	KIT3110	KIT, MANUAL RESET LOW WATER CUTOFF PRIOR TO H08H00211095	ALL
-	KIT30041	KIT, MANUAL RESET LOW WATER CUTOFF BEGINNING H08H00211095	ALL

PLEASE HAVE MODEL NUMBER AND SERIAL NUMBER WHEN ORDERING PARTS