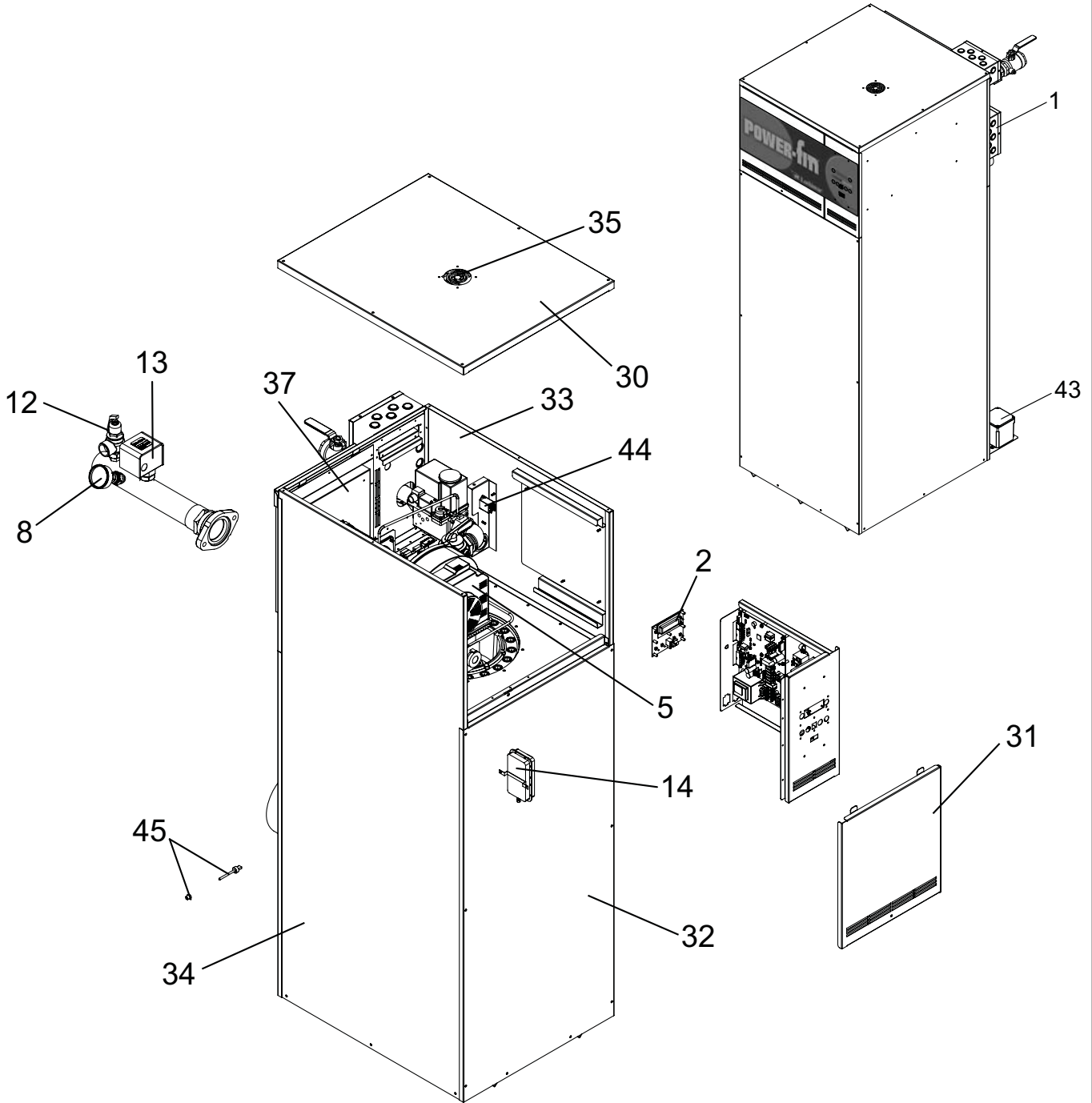




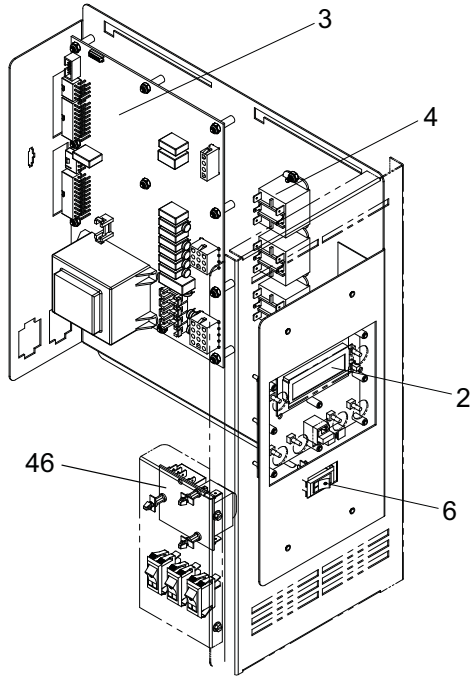
**PARTS & SERVICE DEPARTMENT**  
 Nashville, Tennessee  
 615-889-8900 • Fax: 615-882-2918  
 parts\_team@lochinvar.com  
 www.Lochinvar.com

**Replacement Parts List**

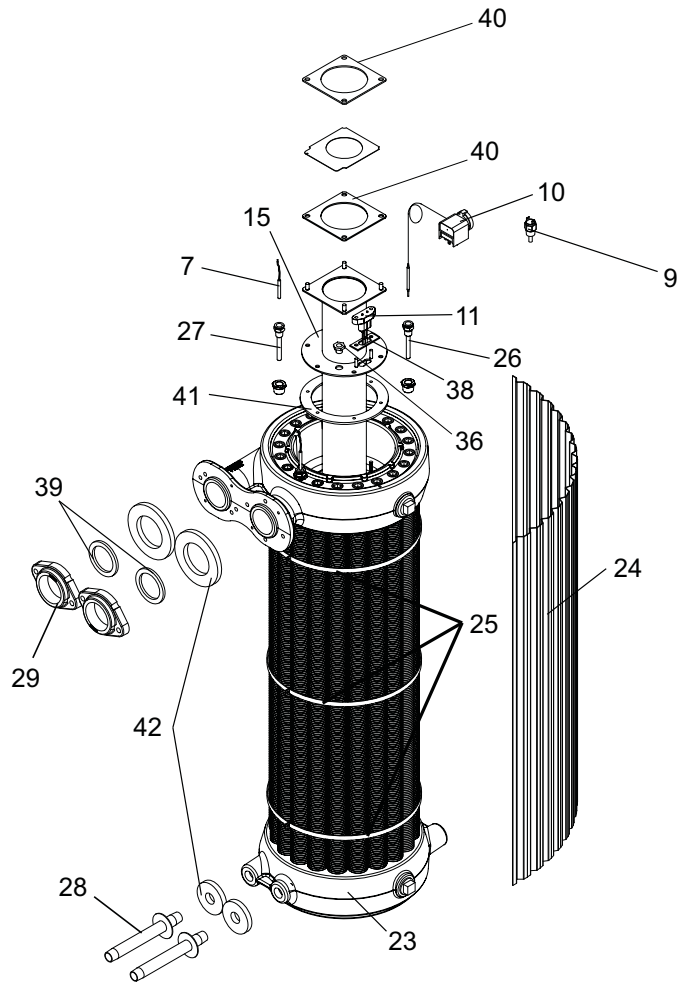
**Power-Fin®**  
 Heating Boilers & Hot Water Supply Boilers  
 PB/PF 502 thru 1302



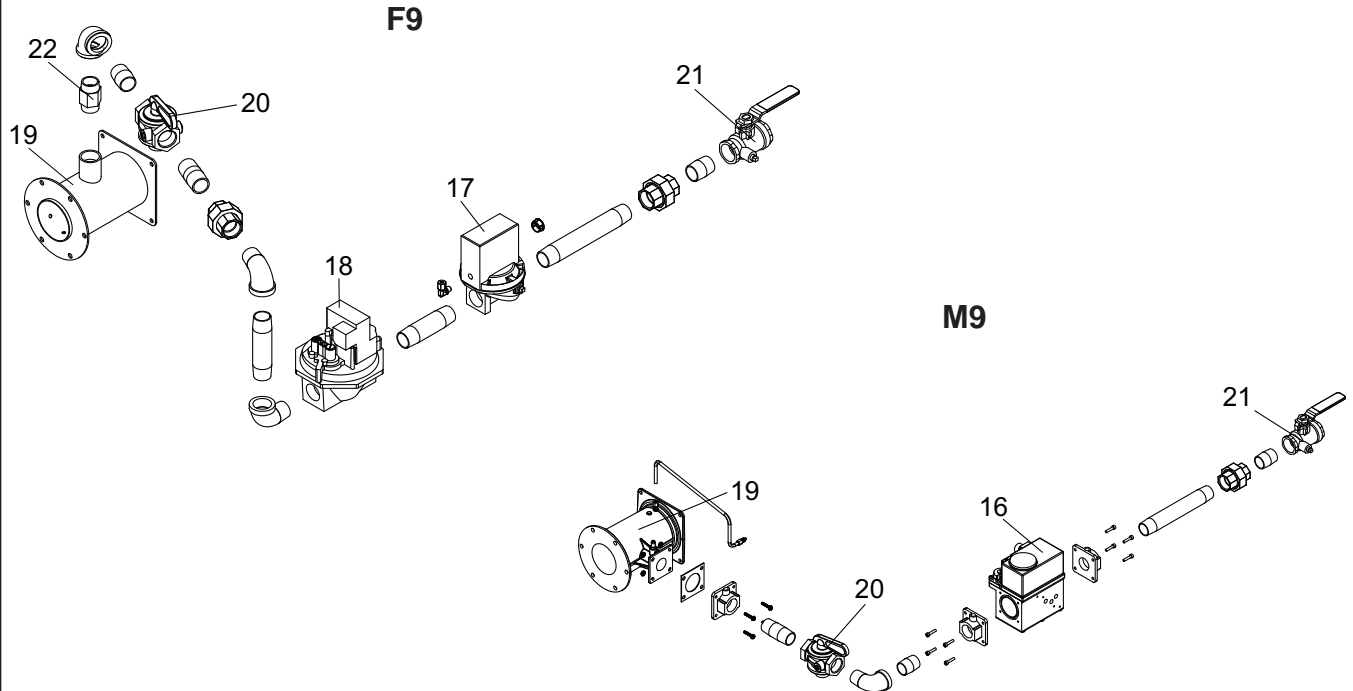
# CONTROL PANEL ASSEMBLY



# HEAT EXCHANGER ASSEMBLY



# GAS TRAIN ASSEMBLIES



ITEM NO.	PART NO.	DESCRIPTION	MODEL NO.
<b>CONTROLS &amp; GAUGES</b>			
1	100208498	CONNECTION BOARD	ALL
2	100208461	BOARD, CONTROL ,USER INTERFACE	ALL
3	100208494	BOARD, CONTROL, MAIN	ALL
4	100208509	PUMP RELAY	ALL
5	100145023	FAN, COMBUSTION AIR	ALL
6	100208242	ON/OFF SWITCH	ALL
7	100208552	THERMOSTAT SENSOR	F9
8	100208152	GAUGE, TEMP AND PRESSURE	PB
9	100208173	THERMOSTAT, HI LIMIT 200 DEGREE	PF
10	100208179	THERMOSTAT, HI LIMIT W/ AUTO RESET	ALL
11	100165937	IGNITOR, HOT SURFACE	ALL
12	100208442	RELIEF VALVE, PRESSURE ONLY	PB 502-1002
12	100208448	RELIEF VALVE, PRESSURE ONLY	PB 1302
12	100208444	RELIEF VALVE, TEMPERATURE & PRESSURE	PF
13	100208653	FLOW SWITCH	ALL
14	100166176	SWITCH, LOW AIR	502 - LP - F9
14	100208398	SWITCH, LOW AIR	502 - NAT - F9
14	100166178	SWITCH, LOW AIR	752 - LP - F9
14	100208399	SWITCH, LOW AIR	752 - NAT - F9
14	100166180	SWITCH, LOW AIR	1002 - LP - F9
14	100208400	SWITCH, LOW AIR	1002 - NAT - F9
14	100166182	SWITCH, LOW AIR	1302-F9
14	100166222	SWITCH, LOW AIR BEFORE D08	502 - LP - M9
14	100208376	SWITCH, LOW AIR AFTER D08	502 - LP - M9
14	100166221	SWITCH, LOW AIR BEFORE D08	502 NAT & 752-1302-M9 NAT/LP
14	100208379	SWITCH, LOW AIR AFTER D08	502 NAT & 752-1302-M9 NAT/LP
<b>GAS TRAIN ASSEMBLIES</b>			
15	100135326	BURNER	502
15	100135327	BURNER	752
15	100135328	BURNER	1002
15	100135329	BURNER	1302
16	100172027	VALVE, GAS NAT	502-M9 NAT
16	100172028	VALVE, GAS NAT	752-M9 NAT
16	100172029	VALVE, GAS NAT	1002-M9 NAT
16	100172030	VALVE, GAS NAT	1302-M9 NAT
16	100171935	VALVE, GAS LP	502-M9 LP
16	100171936	VALVE, GAS LP	752-M9 LP
16	100171937	VALVE, GAS LP	1002-M9 LP
16	100171938	VALVE, GAS LP	1302-M9 LP
17	100171767	VALVE, GAS DIAPHRAGM 1"	502-F9 NAT & LP
17	100171768	VALVE, GAS DIAPHRAGM 1 1/4"	752-1002-1302 - NAT & LP - F9
18	100171769	VALVE, MAIN GAS 1"	502 - NAT - F9
18	100209812	VALVE, MAIN GAS 1"	502 - LP - F9
18	100171770	VALVE, MAIN GAS 1 1/4"	752-1002-1302 - NAT - F9
18	100171881	VALVE, MAIN GAS 1 1/4"	752-1002-1302 - LP - F9
19	100171877	VALVE, VENTURI	502-M9
19	100171878	VALVE, VENTURI	752-1002-M9
19	100171879	VALVE, VENTURI	1302-M9
19	100159747	VALVE, VENTURI	ALL F9
20	100146149	GAS COCK	502
20	100146150	GAS COCK	752-1002-1302
21	100171788	VALVE, BALL	ALL 502
21	100171789	VALVE, BALL	752-1002-F9 & 752-1002-1302-M9
22	100164130	ORIFICE, BURNER	502 - NAT - F9
22	100164131	ORIFICE, BURNER	752 - NAT - F9
22	100164132	ORIFICE, BURNER	1002 - NAT - F9
22	100164133	ORIFICE, BURNER	1302 - NAT - F9
22	100164134	ORIFICE, BURNER	502 - LP - F9
22	100164135	ORIFICE, BURNER	752 - LP - F9
22	100164136	ORIFICE, BURNER	1002 - LP - F9
22	100164137	ORIFICE, BURNER	1302 - LP - F9

PLEASE HAVE MODEL NUMBER AND SERIAL NUMBER WHEN ORDERING PARTS

ITEM NO.	PART NO.	DESCRIPTION	MODEL NO.
<b>HEAT EXCHANGER ASSEMBLIES</b>			
23	100147510	HEAT EXCHANGER(HLW)	PF 502
23	100147518	HEAT EXCHANGER (H)	PB 502
23	100147511	HEAT EXCHANGER(HLW)	PF 752
23	100147519	HEAT EXCHANGER (H)	PB 752
23	100147512	HEAT EXCHANGER(HLW)	PF 1002
23	100147520	HEAT EXCHANGER (H)	PB 1002
23	100147513	HEAT EXCHANGER(HLW)	PF 1302
23	100147521	HEAT EXCHANGER (H)	PB 1302
24	100153830	V BAFFLE (20 REQ.)	502
24	100153831	V BAFFLE (20 REQ.)	752
24	100208235	V BAFFLE (20 REQ.)	1002
24	100153833	V BAFFLE (20 REQ.)	1302
25	100154587	V BAFFLE STRAP (3 REQ.)	ALL
26	100233613	HIGH LIMIT BULBWELL	ALL
27	100233695	THERMOSTAT BULBWELL 3/8"	ALL
28	100141607	DRAIN PIPE ASSEMBLY	PB
28	100141603	DRAIN PIPE ASSEMBLY	PF
29	100173833	HEAT EXCHANGER FLANGE	ALL
<b>JACKET/DOOR ASSEMBLIES</b>			
30	100144981	JACKET TOP, WITH VENTILATION FAN	ALL
31	100154269	JACKET, OUTER FRONT UPPER LEFT	ALL
32	100154265	JACKET, OUTER FRONT LOWER	502
32	100154266	JACKET, OUTER FRONT LOWER	752
32	100154267	JACKET, OUTER FRONT LOWER	1002
32	100154268	JACKET, OUTER FRONT LOWER	1302
33	100153951	JACKET, OUTER RIGHT	502
33	100153952	JACKET, OUTER RIGHT	752
33	100153953	JACKET, OUTER RIGHT	1002
33	100153954	JACKET, OUTER RIGHT	1302
34	100154448	JACKET, OUTER LEFT	502
34	100154449	JACKET, OUTER LEFT	752
34	100154450	JACKET, OUTER LEFT	1002
34	100154451	JACKET, OUTER LEFT	1302
<b>MISCELLANEOUS</b>			
35	100233489	FAN, VENTILATION	ALL
36	100208332	BURNER SIGHT GLASS	ALL
37	100208064	AIR FILTER	ALL
38	100208087	IGNITOR GASKET	ALL
39	100233690	FLANGE GASKET	ALL
40	100208089	BURNER/BLOWER GASKET	ALL
41	100208096	BURNER/ HEX GASKET	ALL
42	100208109	HEX/DIVIDER PANEL GASKET	ALL
43	100208337	CONDENSATE TRAP	ALL
44	100167753	RELAY, LOUVER	ALL
45	100170647	FLUE SENSOR	ALL
46	100208666	LOW WATER CUT-OFF, MANUAL RESET (OPTIONAL) PRIOR TO H08H00211095	ALL
46	100173747	LOW WATER CUT-OFF, MANUAL RESET (OPTIONAL) BEGINNING H08H00211095	ALL
46	100208665	LOW WATER CUT-OFF, AUTO RESET (OPTIONAL) PRIOR TO H08H00211095	ALL
46	100173748	LOW WATER CUT-OFF, AUTO RESET (OPTIONAL) BEGINNING H08H00211095	ALL
-	100208662	LOW WATER CUT-OFF PROBE (OPTIONAL)	ALL
-	100173640	LOW WATER CUT-OFF BOOT (OPTIONAL)	ALL
-	100208231	FUSE, 3.15A 5X22MM	ALL
-	100208232	FUSE, 5A 5X22MM	ALL
-	100208809	FUSE, 1.6A 5X20MM	ALL
-	100166433	PUMP	ALL PF
-	100166406	PUMP (OPTIONAL)	ALL PB
-	100146472	JACKET GASKET	ALL
-	100146588	GASKET, PVC 1/4 X 5/8 X 25'	ALL
-	100157742	KIT, OUTDOOR AIR RESET	ALL
-	100157739	KIT, ALARM ON ANY FAILURE WITH BELL	ALL
-	100157740	KIT, MANUAL RESET LOW WATER CUTOFF PRIOR TO H08H00211095	ALL
-	100157607	KIT, MANUAL RESET LOW WATER CUTOFF BEGINNING H08H00211095	ALL
<b>PLEASE HAVE MODEL NUMBER AND SERIAL NUMBER WHEN ORDERING PARTS</b>			