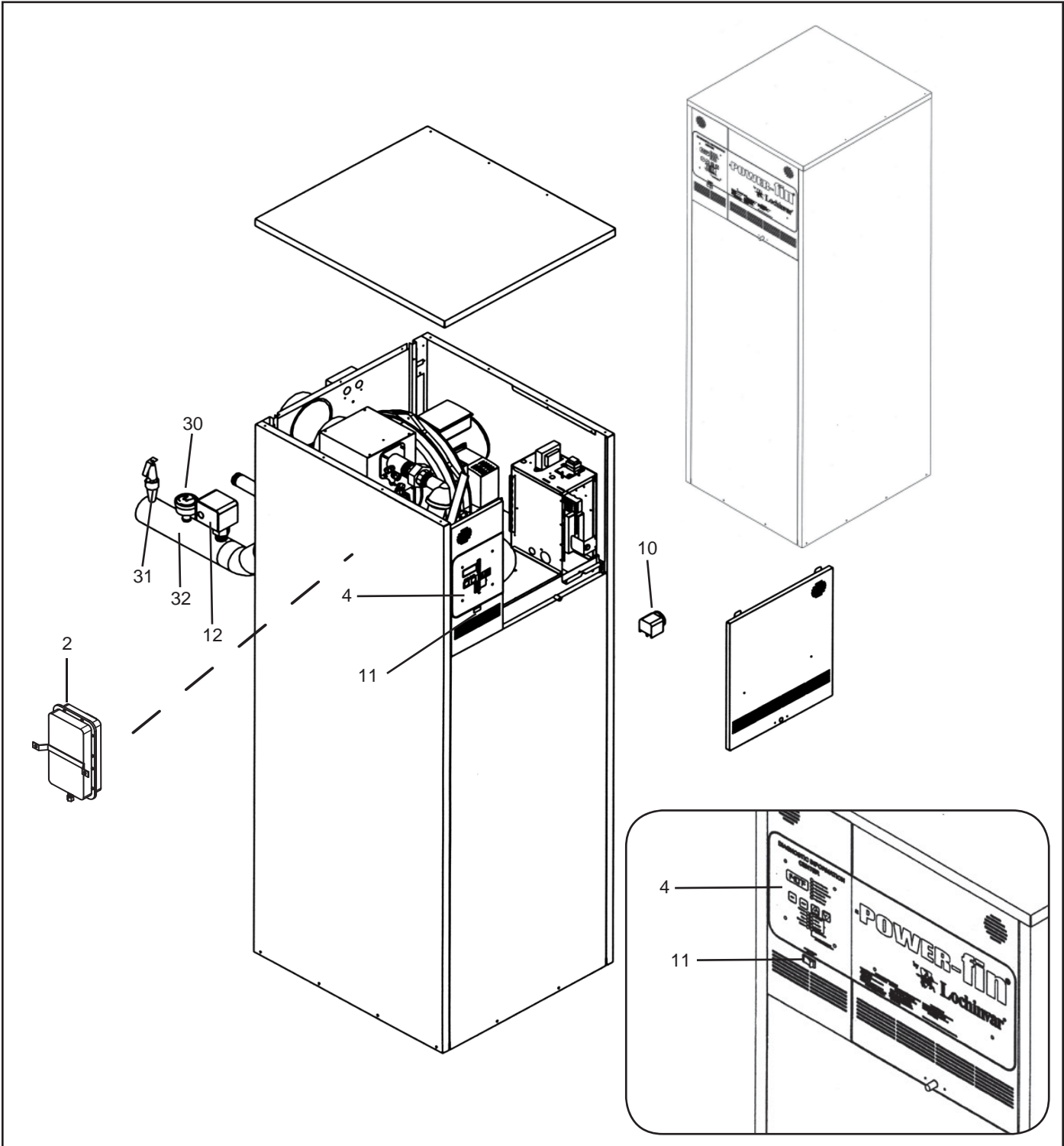




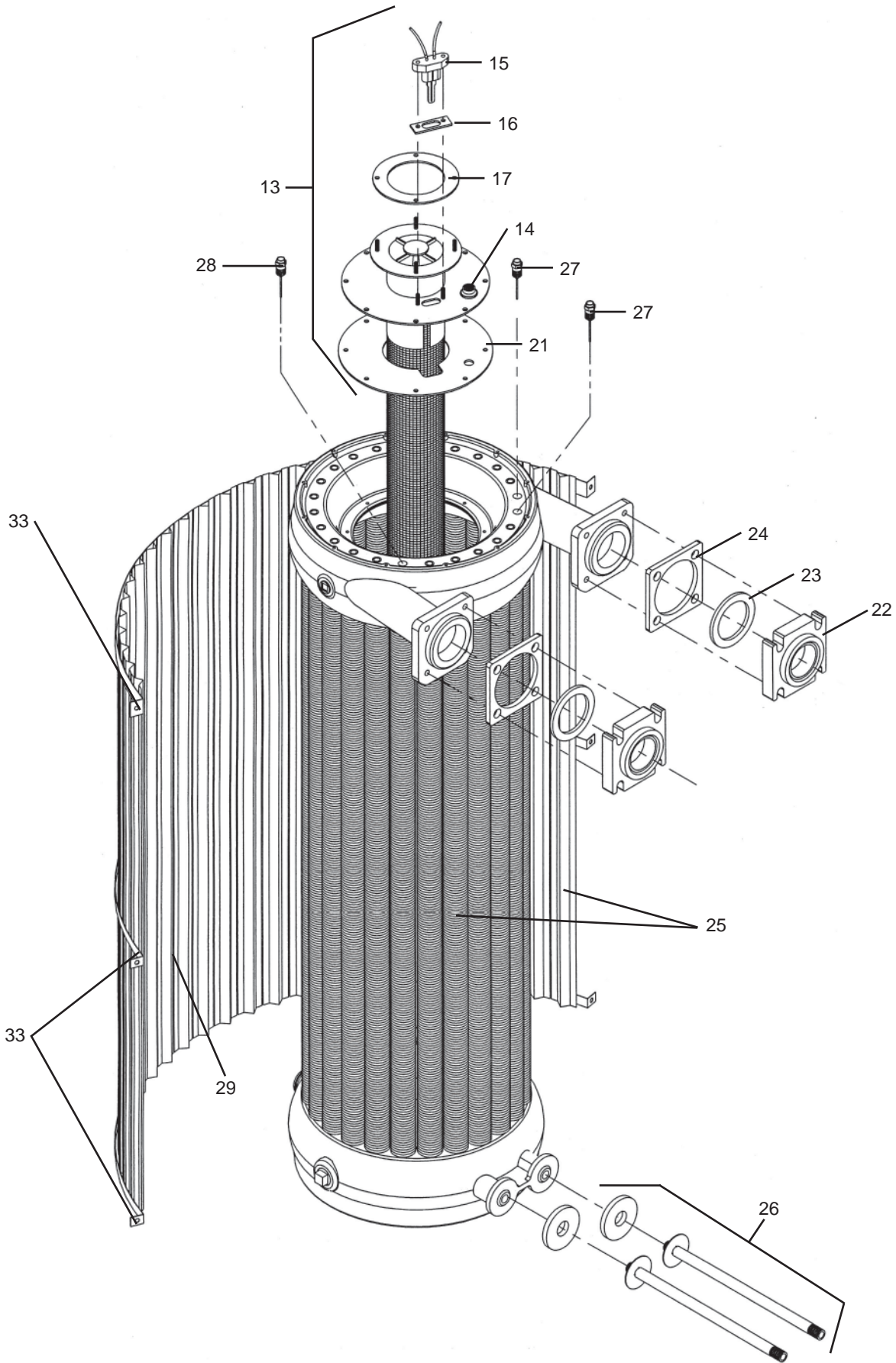
PARTS & SERVICE DEPARTMENT
Nashville, Tennessee
615-889-8900 • Fax: 615-882-2918
parts_team@lochinvar.com
www.Lochinvar.com

Replacement Parts List

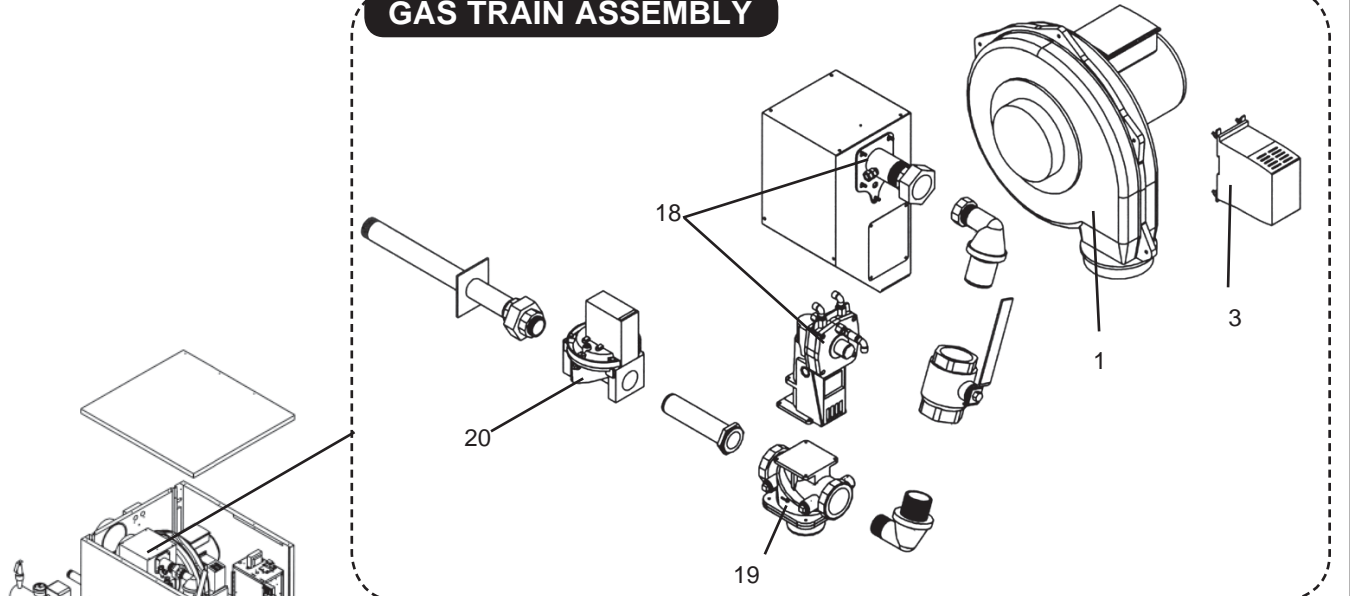
Power-Fin® 4:1
Heating Boilers & Hot Water Supply Boilers
PB/PF 1500, 1700, 2000
Starting Serial #F05H00176841



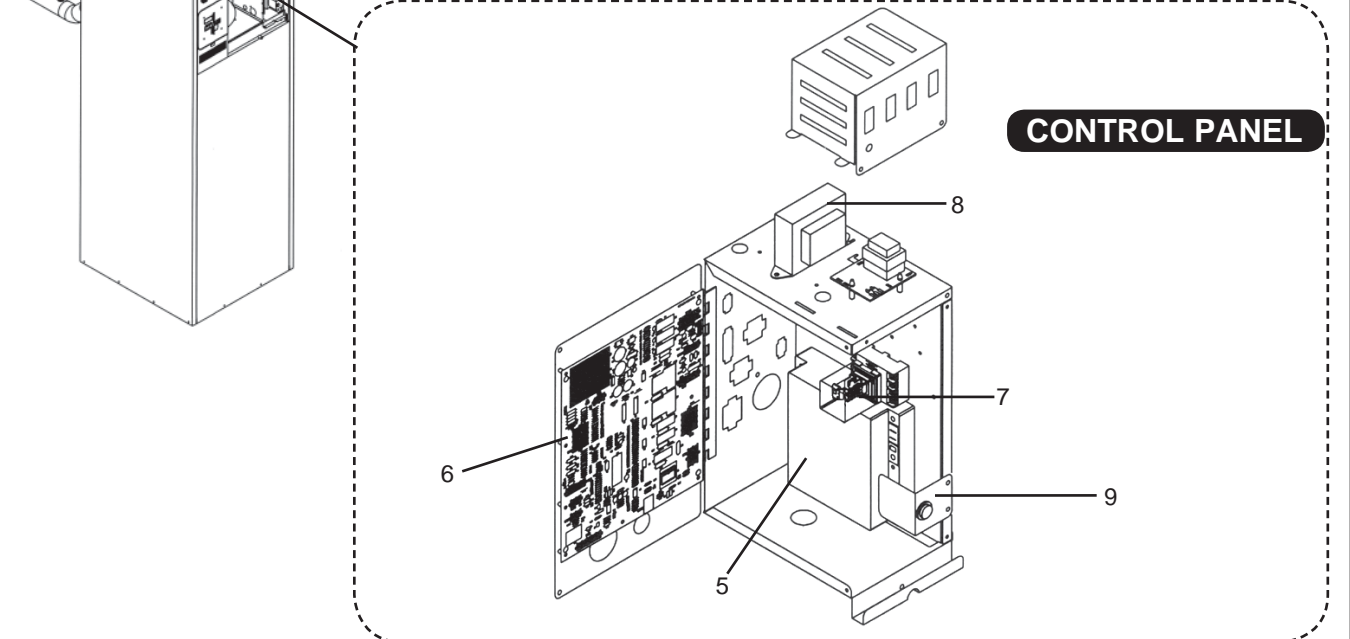
HEAT EXCHANGER ASSEMBLY



GAS TRAIN ASSEMBLY



CONTROL PANEL



ITEM NO.	PART NO.	DESCRIPTION	MODEL NO.
CONTROLS			
1	FAN3009	FAN REPLACEMENT ASSEMBLY	1500
1	FAN3010	FAN REPLACEMENT ASSEMBLY	1700
1	FAN3011	FAN REPLACEMENT ASSEMBLY	2000
2	PRS2006	SWITCH, PRESSURE	ALL
3	RLY3032	MOTOR DRIVE, VARIABLE FREQUENCY (VFD) 4:1	ALL
4	RLY2724	BOARD, DISPLAY	ALL
5	RLY2402	MODULE, IGNITION	ALL
6	RLY3729*	BOARD, CONTROL, WATER HEATER 4:1	ALL PF
6	RLY3730*	BOARD, CONTROL, BOILER 4:1	ALL PB
6	RLY3731*	BOARD, CONTROL, BOILER 4:1 WITH I & O RESET	PB
7	RLY2607	VFD ENABLE RELAY	ALL
8	TRF2005	TRANSFORMER-75VA (Order by Description)	ALL
8	TRF2010	TRANSFORMER-100VA (Order by Description)	ALL
9	SWT2004	SWITCH, MANUAL RESET	ALL
10	HLC2702	LIMIT, HIGH	ALL
11	SWT2001	SWITCH, POWER, ON/OFF	ALL
12	WTR2040	SWITCH, FLOW	ALL

*MUST INCLUDE SPEC SHEET INFORMATION
PLEASE HAVE MODEL AND SERIAL NUMBER WHEN ORDERING PARTS

ITEM NO.	PART NO.	DESCRIPTION	MODEL NO.
GAS TRAIN ASSEMBLIES			
13	BNR3419	MAIN BURNER ASSEMBLY	PF/PB1500
13	BNR3420	MAIN BURNER ASSEMBLY	PF/PB1700
13	BNR3421	MAIN BURNER ASSEMBLY	PF/PB2000
14	MSC2731	SIGHT GLASS, 1/2"	ALL
15	PLT3400	IGNITOR, HOT SURFACE	ALL
16	GKT2012	GASKET, IGNITOR	ALL
17	GKT2103	GASKET, BLOWER	ALL
18	VAL3004	ACTUATOR KIT	ALL
19	VAL2710	VALVE, GAS 1-1/2"	PF/PB1500
19	VAL2711	VALVE, GAS 2"	PF/PB1700-2000
20	VAL2044	VALVE, GAS 1-1/2", HWELL	ALL
21	GKT2102	GASKET, BURNER	ALL
HEAT EXCHANGERS			
22	WTR4708	FLANGE	ALL
23	GKT2006	GASKET, TOP HEADER FLANGE	ALL
24	GKT2006	GASKET, FLANGE	ALL
25	HEX3060	HEAT EXCHANGER (HLW)	PF1500
25	HEX3061	HEAT EXCHANGER (HLW)	PF1700
25	HEX3062	HEAT EXCHANGER (HLW)	PF2000
25	HEX3068	HEAT EXCHANGER (H)	PB1500
25	HEX3069	HEAT EXCHANGER (H)	PB1700
25	HEX3070	HEAT EXCHANGER (H)	PB2000
26	DRV3800	DRAIN VALVE KIT	ALL
MISCELLANEOUS			
27	TST2306	BULB WELL, EMMEN CONTROL (2 REQ.)	ALL
28	TST2300	BULB WELL, HIGH LIMIT (1 REQ.)	ALL
29	JKH2012	V-BAFFLE, HEAT EXCHANGER (24 REQ.)	PF/PB1500
29	JKH2013	V-BAFFLE, HEAT EXCHANGER (24 REQ.)	PF/PB1700
29	JKH2014	V-BAFFLE, HEAT EXCHANGER (24 REQ.)	PF/PB2000
30	GTP2900	GAUGE, TRI-O-METER 0-75 psi, 70-250°F	ALL
31	RLV2016	VALVE, RELIEF T&P	PF
31	RLV2003	VALVE, PRESSURE 1"	PB1500 & 1700
31	RLV2001	VALVE, PRESSURE 3/4" (2 REQ.)	PB2000
32	CPR4139	OUTLET PIPE	ALL
33	JKH6431	V-BAFFLE RETAINER (3 REQ.)	ALL
-	WRE2145	SENSOR KIT	ALL
-	MSC2933	ALUMINUM TUBING (Order by the foot)	ALL
-	TUB8000	TUBING, EPDM 3/8" (Order by the foot)	ALL
-	FIL30000	CONSTRUCTION FILTER	ALL
-	GKT3705	GASKET KIT	ALL
-	RLY2706	RELAY 120 V	ALL
-	MSC2975	CONDENSATE TRAP AFTER SERIAL #K05	ALL
PUMPS			
-	ARM3077PAB	PUMP	PF1500-2000
INSULATION			
-	FIB2119	INSULATION, SIDES	PF/PB1500
-	FIB2120	INSULATION, SIDES	PF/PB1700
-	FIB2121	INSULATION, SIDES	PF/PB2000
-	FIB2122	INSULATION, BACK	PF/PB1500
-	FIB2123	INSULATION, BACK	PF/PB1700
-	FIB2124	INSULATION, BACK	PF/PB2000
-	FIB2106	INSULATION, FRONT	PF/PB1500
-	FIB2107	INSULATION, FRONT	PF/PB1700
-	FIB2108	INSULATION, FRONT	PF/PB2000
-	FIB2109	INSULATION, FRONT DOOR	PF/PB1500
-	FIB2110	INSULATION, FRONT DOOR	PF/PB1700
-	FIB2111	INSULATION, FRONT DOOR	PF/PB2000

PLEASE HAVE MODEL AND SERIAL NUMBER WHEN ORDERING PARTS