



**POWER-FIN®  
WATER HEATER  
Submittal Sheet**

**PF-Sub-10**

**POWER-FIN® GAS WATER HEATERS**

**JOB NAME** \_\_\_\_\_

**LOCATION** \_\_\_\_\_

**ARCH./ENGR.** \_\_\_\_\_

**WHOLESALER** \_\_\_\_\_

**MECH. CONTRACTOR** \_\_\_\_\_

**MODEL NO.** \_\_\_\_\_

**TYPE GAS** \_\_\_\_\_

**Btu/hr INPUT** \_\_\_\_\_

**RECOVERY RATE IN GPH** \_\_\_\_\_ @ \_\_\_\_\_ °F RISE

**NOTES**

**Standard Features**

- 88% Thermal Efficiency
- Aquastat with Adjustable Differential
- Sequential & Diagnostic Control Panel
- Radial Perforated Stainless Steel Burner
- Low NOx Operation Exceeds the most Stringent Air Quality Requirements
- ASME Copper Finned Tube Heat Exchanger
- 160 psi Working Pressure
- All Bronze Circulating Pump
- Pump Delay
- Remote Tank Thermostat
- Glass-Lined Water Surfaces
- Two Water Temperature Gauges (inlet/outlet)
- Redundant Gas Valves
- Main Gas Pressure Regulator
- Low Gas Pressure Switch
- Manually Operated Lubricated Gas Cock
- High & Low Air Pressure Switches
- Hot Surface Ignition
- Zero Clearance to Combustible Materials
- ASME Temperature & Pressure Relief Valve
- Adjustable High Limit
- Flow Switch
- Down Stream Test Valve (PF500-1000)
- 24 Volt Control System
- Barometric Damper
- 5 Year Limited Warranty on Heat Exchanger  
(See warranty for details)

**Optional Equipment**

**Place an X in the box by all options that apply**

- Alarm Bell
- Contacts on any Failure
- Contacts for Air Louvers
- Cupro-Nickel Heat Exchanger
- High Gas Pressure Switch w/ Manual Reset
- Low Gas Pressure Switch w/ Manual Reset
- Intermittent Pump Control
- Low Water Cut-Off
- Probe Type
- Probe Type Manual Reset w/ Test
- Adjustable High Limit w/ Manual Reset
- Solenoid Gas Valve
- Time Clock (7 Day)
- Time Clock (24 Hour)

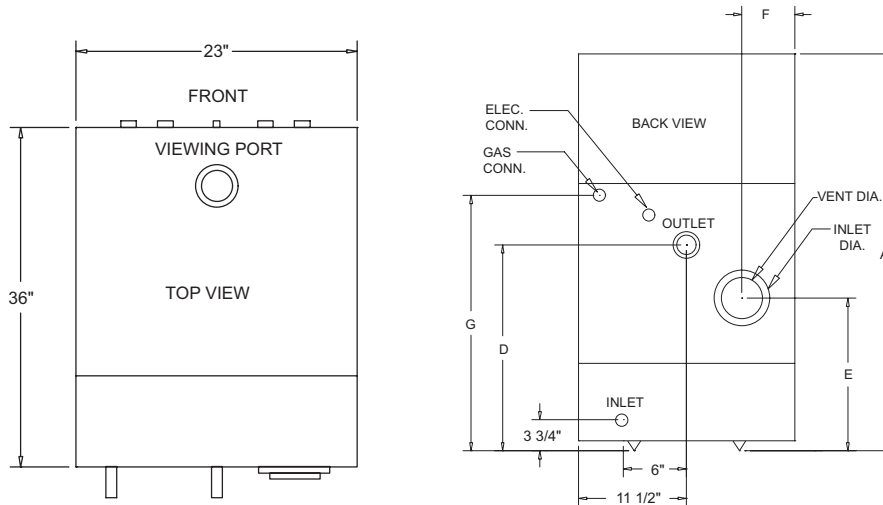
**MOD-U-PAK SEQUENCER**

<u>Control</u>	<u>Part Number</u>
2-6 Stage	PAN3813
7-10 Stage	PAN3814

**Firing Control Systems**

F9	HSI (Standard)
F13	Factory Mutual
F14	IRI
F7	California Code

# Power-Fin® Gas-Fired Water Heater Dimensions & Specifications



Model Number	Btu/hr Input	GPH @ 100°F Rise	A	D	E	F	G	Gas Conn.	Air Inlet Size	Shipping Weight
PFNO250PM	250,000	264	34"	16-1/4"	20-1/4"	5"	28-1/4"	3/4"	8"	530
PFNO500PM	500,000	528	41-1/2"	24-1/4"	26-1/2"	5"	35-1/2"	1"	10"	595
PFNO750PM	750,000	793	52-1/2"	33-1/4"	25-1/2"	6-1/2"	40-1/4"	1-1/4"	12"	650
PFN1000PM	1,000,000	1,057	60-1/2"	41-1/4"	28-1/2"	8-1/2"	47-1/2"	1-1/2"	14"	750

Notes: Change "N" to "L" for LP gas models.  
Water connections are 2".  
Performance data is based on manufacturer test results.

## Venting Options

Conventional

Sidewall

Direct Vent Vertical

Direct Vent Horizontal

Outdoor

Intelligent Venting Solutions

	VENT DIAMETER		
	Conventional†	Sidewall*	Direct Vent**
	5"	4"	4"
	7"	6"	6"
	9"	8"	8"
	10"	10"	10"

† Requires category II venting material.  
\* Requires factory-supplied venting material.  
\*\* Requires factory supplied venting material and concentric combustion-air intake piping (Inlet diameter).

Common Manifold Size for Multiple Power-Fin Units	
Quantity Water Heaters	Manifold Pipe Size
1	2"
2	3"
3	3 1/2"
4	4"
5-6	5"
7-9	6"

## Amp Draw Data

Model No.	Fans	Controls	Pump	Approx. Total Amps
PFNO250	0.7	5	7.2	12.9
PFNO500	1.8	5	7.2	14
PBNO750-1000	4.5	5	7.2	16.7



Lochinvar Corporation • 300 Maddox Simpson Pkwy • Lebanon, TN 37090 • 615-889-8900 / Fax: 615-547-1000

www.Lochinvar.com