



Lochinvar[®]
High Efficiency Water Heaters, Boilers and Pool Heaters

POWER-FIN[®]
PACKAGE SYSTEM
Submittal Sheet

PF-Sub-14

POWER-FIN[®] PREASSEMBLED GAS WATER HEATER PACKAGE SYSTEM

JOB NAME _____
LOCATION _____
ARCH./ENGR. _____
WHOLESALE _____
MECH. CONTRACTOR _____
MODEL NO. _____
TYPE GAS _____
Btu/hr INPUT _____
RECOVERY RATE IN GPH _____ @ _____ °F RISE
NOTES

Standard Features

- Up to 87% Thermal Efficiency (M#)
- Up to 84% Thermal Efficiency (B#/F#)
- 160 psi ASME Copper-Finned Tube Heat Exchanger
- Gasketless Heat Exchanger Design
- SMART SYSTEM Control, with:
 - 2-Line 16-Character LCD Display
 - Password Security
 - Built-in Sequencing for 2-8 Water Heaters
 - 0-10Vdc BMS Input
 - Product Service Indicator
 - Time Clock
 - PC Connection Port
 - Water Heater Pump Control
 - Pump Delay w/ Freeze Protection
 - Pump Exercise
- Selectable Supply/Return Temperature Controls
- Slide out Control Panel
- Low-NOx Operation
- Low Gas Pressure Operation
- Zero Clearance to Combustible Materials
- ASME Temperature & Pressure Relief Valve
- Downstream Test Cock
- Line Voltage Terminal Strip
- Low Voltage Terminal Strip
- Contacts on Any Failure
- Alarm Contacts
- Runtime Contacts
- Contacts for Air Louvers
- Adjustable High Limit with Manual Reset
- All Bronze Circulating Pump
- Flow Switch
- 120V Power Supply
- On/Off Switch
- Combustion Air Filtration
- 5-Year Limited Warranty on Heat Exchanger
- 1-Year Limited Warranty on Parts
- Category I, II & IV Venting

Optional Equipment

Place an X in the box by all options that apply

- Alarm Bell
 - Cupro-Nickel Heat Exchanger
 - Low Gas Pressure Switch
 - High Gas Pressure Switch
 - Low Water Cutoff with Manual Reset
 - SMART SYSTEM PC Software
 - Horizontal Air Intake Cap*
 - Horizontal Vent Cap*
 - Category IV to II Vent Conversion Kit*
- *see venting submittal*

Firing Control Systems

(M) indicates 5:1 turndown, Category IV, 502-2001 Models

- M9 Hot Surface Ignition with Electronic Supervision (Standard)
- M7 California Code

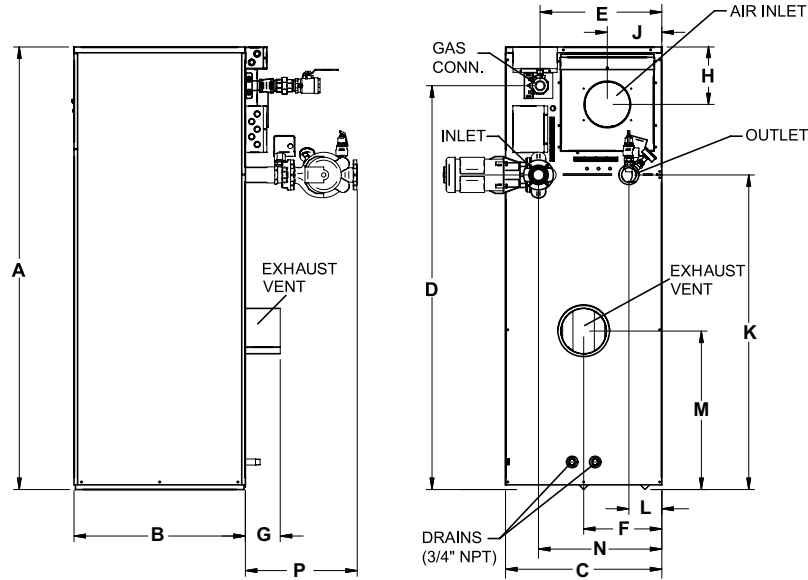
(B) indicates 2:1 turndown, Category I, 1501-2001 Models

- B9 Hot Surface Ignition with Electronic Supervision (Standard)
- B7 California Code

(F) indicates 100% On/Off, Category I, 502-1302 Models

- F9 Hot Surface Ignition with Electronic Supervision (Standard)
- F7 California Code

Power-Fin® Gas-Fired Water Heater Dimensions & Specifications



Model Number	GPH @ Btu/Hr Input	GPH @ 100°F Rise		A	B	C	D	E B9/F9	E M9	Gas Conn.	Vent Sizes			
		F9	M9								Air Inlet B9/F9	Cat I M9	Cat II M9	Cat IV M9
PFN0502PM	500,000	515	527	44-1/2"	28-1/2"	23-1/4"	34"	17-3/4"	19-1/2"	1"	5"	7"	7"	4"
PFN0752PM	750,000	773	791	52-1/4"	28-1/2"	23-1/4"	41-3/4"	17-3/4"	19-1/2"	1-1/4"	5"	9"	9"	5"
PFN1002PM	1,000,000	1,030	1,054	59-1/4"	28-1/2"	23-1/4"	48-3/4"	17-3/4"	19-1/2"	1-1/4"	6"	10"	10"	6"
PFN1302PM	1,300,000	1,323	1,371	67-3/4"	28-1/2"	23-1/4"	57-1/4"	17-3/4"	19-1/2"	1-1/4"	6"	12"	12"	8"
PFN1501PM	1,500,000	1,527	1,582	65-1/2"	29-3/4"	27-1/4"	59"	21"	21"	1-1/2"	6"	12"	8"	6"
PFN1701PM	1,700,000	1,731	1,793	70"	29-3/4"	27-1/4"	63-1/2"	21"	21"	1-1/2"	7"	14"	9"	7"
PFN2001PM	2,000,000	2,036	2,109	76-3/4"	29-3/4"	27-1/4"	70"	21"	21"	1-1/2"	8"	14"	10"	8"

Model Number	F	G	H	J	K	L		M		N		P		Ship. Wt. (lbs)
						B9/F9	M9	B9/F9	M9	B9/F9	M9	B9/F9	M9	
PFN0502PM	11-1/2"	6"	8"	7-3/4"	23-1/4"	11-1/2"	11-1/2"	11-1/4"	11-1/4"	17-1/2"	17-1/2"	14-1/4"	14-1/4"	571
PFN0752PM	11-1/2"	6"	8"	7-3/4"	30-3/4"	11-1/2"	11-1/2"	11-1/4"	11-1/4"	17-1/2"	17-1/2"	14-1/4"	14-1/4"	620
PFN1002PM	11-1/2"	6"	8"	7-3/4"	37-3/4"	11-1/2"	11-1/2"	11-1/4"	11-1/4"	17-1/2"	17-1/2"	14-1/4"	14-1/4"	669
PFN1302PM	11-1/2"	6"	8"	7-3/4"	46-1/4"	11-1/2"	11-1/2"	19-1/2"	19-1/2"	17-1/2"	17-1/2"	14-1/4"	14-1/4"	718
PFN1501PM	13-1/2"	8"	10"	9-1/2"	43-1/2"	2-1/4"	5-3/4"	19-1/4"	22-1/4"	25"	21-1/2"	26-1/4"	19-1/2"	1,115
PFN1701PM	13-1/2"	8"	10"	9-1/2"	48"	2-1/4"	5-3/4"	22-3/4"	25"	25"	21-1/2"	26-1/4"	19-1/2"	1,150
PFN2001PM	13-1/2"	8"	10"	9-1/2"	54-3/4"	2-1/4"	5-3/4"	27-1/2"	27-1/2"	25"	21-1/2"	26-1/4"	19-1/2"	2,045

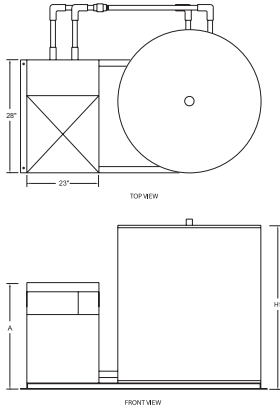
Notes: Change 'N' to 'L' for L.P. Gas Model. No deration on L.P. models. Recovery calculations based on firing rate of 100%. All gas connections are 1-1/2" NPT. All water connections are 2-1/2".

Venting Options

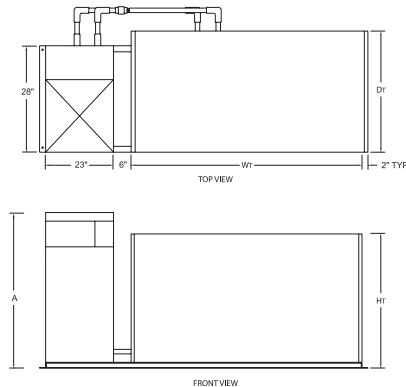
- Sidewall
- Vertical
- DirectAire Vertical w/ Sidewall Inlet
- DirectAire Horizontal w/ Rooftop Inlet
- Direct Vent Horizontal
- Direct Vent Vertical
- Intelligent Venting Solutions

Power-Fin® Gas Water Heater Package System Dimensions & Specifications

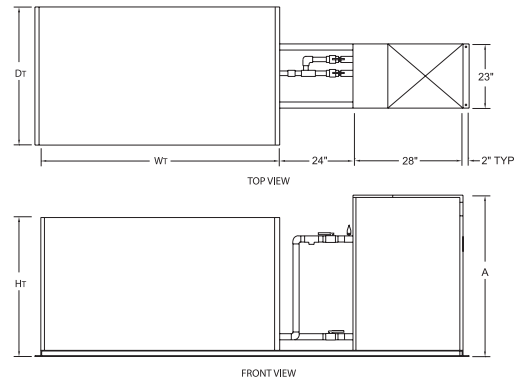
V1 Configuration



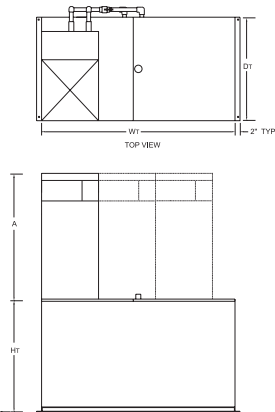
H1 Configuration



H2 Configuration



H3 Configuration



H3 configuration is offered with Square Jacketed Tank only.

V1, H1 & H2 Configurations are standard with Round Jacketed Tanks

Gallons	HORIZONTAL TANK DIMENSIONS			Weight
	H _T	W _T	D _T	
300	50-1/2"	78-1/4"	42-1/4"	1,700
400	50-1/2"	102-1/4"	42-1/4"	2,250
500	56-1/2"	90-3/4"	48-1/4"	2,450
600	56-1/2"	114-1/4"	48-1/4"	3,350
700	56-1/2"	130-1/4"	48-1/4"	4,000
800	62-1/2"	124-1/4"	54-1/4"	4,800
1,000	62-1/2"	138-1/4"	54-1/4"	5,100
1,250	68-1/2"	130-1/4"	60-1/4"	5,900
1,500	77-1/2"	126-1/4"	66-1/4"	6,500
2,000	80-1/2"	138-1/4"	72-1/4"	9,000
2,500	86-1/2"	144-1/4"	78-1/4"	10,000

Gallon	VERTICAL TANK DIMENSIONS			Weight
	H _T	Dia.	Weight	
119	62-1/2"	28"	345	
200	77-1/4"	32"	600	
257	92"	34"	902	
318	81"	40"	993	
432	81"	46"	1,269	
504	92"	46"	1,373	

NOTE: Add heater dimensions to tank dimensions to get overall package dimensions or consult factory if measurements are critical.

All package systems are skid mounted.



Lochinvar Corporation • 300 Maddox Simpson Pkwy • Lebanon, TN 37090 • 615-889-8900 / Fax: 615-547-1000

www.Lochinvar.com