



**POWER-FIN®
WATER HEATER
Submittal Sheet**

PFX-Sub-04

POWER-FIN® GAS WATER HEATER 502, 752, 1002, 1302, 1501, 1701 & 2001 MODELS

JOB NAME _____

LOCATION _____

ENGINEER _____

MECH. CONTRACTOR _____

MODEL NO. _____

TYPE GAS _____

Btu/hr INPUT _____

RECOVERY RATE IN GPH _____ @ _____ °F RISE

NOTES

STANDARD FEATURES

- › 85% Thermal Efficiency
- › Outdoor Ready
- › Modulating Burner with 5:1 Turndown
 - Hot Surface Ignition
 - Low NOx Operation
 - Sealed Combustion
 - Low Gas Pressure Operation
- › Vertical & Horizontal Venting
 - Category I or Category IV Venting
 - Cat IV converts to Cat II w/optional vent kit
 - CAT IV Venting up to 50 Feet
- › ASME Copper-Finned Tube Heat Exchanger
 - ASME Certified, "HLW" Stamped
 - Gasketless design
 - 160 psi working pressure
- › On/Off Switch
- › Adjustable High Limit w/ Manual Reset
- › Flow Switch
- › Low Air Pressure Switch
- › Downstream Test Cocks
- › 150 psi Temperature & Pressure Relief Valve
- › Combustion Air Filtration
- › All Bronze Pump
- › Zero Clearances to Combustible Material
- › 1 Year Warranty on Parts
- › 5 Year Limited Warranty
(See Warranties for Details)

SMART TOUCH™ FEATURES

- › SMART TOUCH Operating Control
 - Full-Color 8" Touchscreen LCD Display
 - CON-X-US Remote Connect
 - Building Management System Integration with 0-10 VDC Input
 - Dual Level Password Security
 - Inlet & Outlet Temperature Readout
 - Freeze Protection
 - Service Reminder
 - Time Clock
- › Built-in Cascading Sequencer for up to 8 Water Heaters
 - Built-in Redundancy
 - Cascade Multiple Sized Water Heaters
 - Lead/Lag Cascade
 - Efficiency Optimized Cascade
- › Low Water Flow Safety Control & Indication
- › Data Logging
 - Hours Running, Modulation Rate
 - Ignition Attempts
 - Last 10 Lockouts
- › Programmable System Efficiency Optimizers
 - Night Setback
- › High-Voltage Terminal Strip
 - 120V/60 Hertz/1 Phase Power Supply
- › Low-Voltage Terminal Strip
 - 24 VAC Auxiliary Device Relay
 - Auxiliary Proving Switch Contacts
 - Alarm on Any Failure Contacts
 - Runtime Contacts
 - Thermostat Contacts
 - Unit Enable Contacts
 - Louver Proving Contacts
 - Tank Sensor Contacts
 - Cascade Contacts
 - 0-10 VDC BMS External Control Contact

FIRING CODES

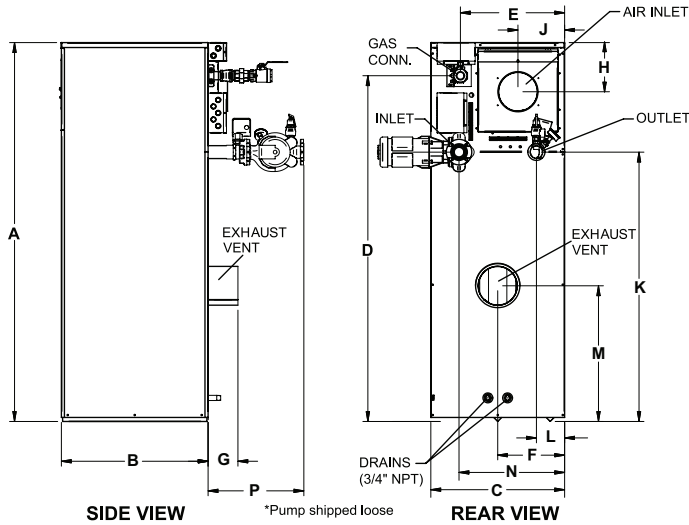
- M Indicates 5:1 Turndown, Category IV
- F Indicates 100% On/Off Fire, Category I

- M9 Standard
- F9 Special Order Factory Trimmed

OPTIONAL EQUIPMENT

- Cupro-Nickel Heat Exchanger
- High and Low Gas Pressure Switches
 - w/Manual Reset
- Outdoor Kit
- Low Water Cutoff
 - w/ Manual Reset & Test (required for California Code)
- Alarm Bell
- Modbus Communications
- BACnet MSTP Communications
- BMS Gateway to LON or BacNet IP
- › Vent Kits
 - Horizontal Exhaust Cap
 - Horizontal Air Intake Cap
 - Horizontal Direct Vent Cap
 - Category IV to Category II Conversion Kit

Power-Fin Water Heater Dimensions & Specifications



POWER-FIN WATER HEATER DIMENSIONS AND SPECIFICATIONS

Model Number	Btu/Hr Input	GPH @ 100°F Rise (F)	GPH @ 100°F Rise (M)	A	B	C	D	E (F)	E (M)	F	G	H	J
PFN0502PM	500,000	515	527	44-1/2"	28-1/2"	23-1/4"	34"	18-3/4"	18-1/2"	6-1/2"	6"	8"	7-3/4"
PFN0752PM	750,000	773	791	52"	28-1/2"	23-1/4"	41-3/4"	19"	18-3/4"	6-3/4"	6"	8"	7-3/4"
PFN1002PM	999,999	1,030	1,054	59-1/4"	28-1/2"	23-1/4"	48-3/4"	17"	18-3/4"	7-1/4"	6"	8"	7-3/4"
PFN1302PM	1,300,000	1,323	1,371	67-3/4"	28-1/2"	23-1/4"	57-1/4"	17"	18-3/4"	8-1/4"	6"	8"	7-3/4"
PFN1501PM	1,500,000	1,527	1,582	65-1/2"	29-3/4"	27-1/4"	59"	21"	20-3/4"	13-1/2"	8"	10"	9-1/2"
PFN1701PM	1,700,000	1,731	1,793	70"	29-3/4"	27-1/4"	63-1/2"	21"	20-3/4"	13-1/2"	8"	10"	9-1/2"
PFN2001PM	2,000,000	2,036	2,109	76-3/4"	29-3/4"	27-1/4"	70"	21"	20-3/4"	13-1/2"	8"	10"	9-1/2"

Model Number	K	L	M	N	P (F)	P (M)	Gas Conn.	Air Inlet	Cat I (F)	Vent Sizes Cat II (M)	Cat IV (M)	Wt. (lbs)
PFN0502PM	23"	11-1/2"	11-1/4"	17-1/2"	15-1/4"	15-1/4"	1"	5"	7"	7"	4"	535
PFN0752PM	30-1/2"	11-1/2"	11-1/4"	17-1/2"	15-1/4"	15-1/4"	1-1/4"	5"	9"	9"	5"	584
PFN1002PM	37-3/4"	11-1/2"	11-1/4"	17-1/2"	15-1/4"	15-1/4"	1-1/4"	6"	10"	10"	6"	663
PFN1302PM	46-1/4"	11-1/2"	11-1/4"	17-1/2"	15-1/4"	15-1/4"	1-1/4"	6"	12"	12"	8"	682
PFN1501PM	43-1/2"	5-3/4"	22-1/4"	21-1/2"	24-1/2"	19-1/2"	1-1/2"	6"	12"	8"	6"	1,131
PFN1701PM	48"	5-3/4"	25"	21-1/2"	24-1/2"	19-1/2"	1-1/2"	7"	14"	9"	7"	1,166
PFN2001PM	54-3/4"	5-3/4"	27-1/2"	21-1/2"	24-1/2"	19-1/2"	1-1/2"	8"	14"	10"	8"	1,193

Notes: Change 'N' to 'L' for LP Gas Model No deration on LP models Temperature rise calculations based on firing rate of 100% All water connections are 2-1/2"

Venting Options

- Sidewall
- Vertical
- DirectAire Vertical w/ Sidewall Inlet
- DirectAire Horizontal w/ Rooftop Inlet
- Direct Vent Horizontal
- Direct Vent Vertical
- Intelligent Venting Solutions



Lochinvar, LLC
 300 Maddox Simpson Parkway
 Lebanon, Tennessee 37090
 P: 615.889.8900 / F: 615.547.1000
 f t i n Lochinvar.com

