



Lochinvar[®]
High Efficiency Water Heaters, Boilers and Pool Heaters

POWER-FIN[®]
PACKAGE SYSTEM
Submittal Sheet

PFXP-Sub-17

POWER-FIN[®] PREASSEMBLED GAS WATER HEATER PACKAGE SYSTEM

JOB NAME _____
LOCATION _____
ENGINEER _____
WHOLESALE _____
MECH. CONTRACTOR _____
MODEL NO. _____
TYPE GAS _____
Btu/hr INPUT _____
RECOVERY RATE IN GPH _____ @ _____ °F RISE
NOTES

Standard Features

- > Up to 87% Thermal Efficiency (M#)
 - > Modulating Burner with 5:1 Turndown
- > Up to 84% Thermal Efficiency (B#/F#)
 - > Modulating Burner with 2:1 Turndown (B#)
 - > On/Off Burner (F#)
- > Fan Assisted Sealed Combustion
 - > Direct-Spark Ignition
 - > Low NOx Operation
 - > Low Gas Pressure Operation
- > Venting Flexibility
 - > Category I (B# & F#)
 - > Category IV Venting (M#)
 - > Optional Combined Venting Cat. II (M#)
- > ASME Copper-Finned Tube Heat Exchanger
 - > ASME Certified, "HLW" Stamped
 - > 150 psi ASME T & P Relief Valve
 - > Gasketless design
 - > 160 psi working pressure
- > SMART SYSTEM Operating Control
- > On/Off Switch
- > Adjustable High Limit w/ Manual Reset
- > Flow Switch
- > Low Air Pressure Switch
- > Flue Temperature Sensor
- > Downstream Test Cocks
- > Combustion Air Filtration
- > All Bronze Circulating Pump
- > Zero Clearances to Combustible Material
- > 1 Year Warranty on Parts
- > 5 Year Limited Warranty
(See Warranty for Details)

Optional Equipment

Place an X in the box by all options that apply

- Alarm Bell
 - Cupro-Nickel Heat Exchanger
 - Low Gas Pressure Switch
 - High Gas Pressure Switch
 - Low Water Cutoff with Manual Reset
 - SMART SYSTEM PC Software
 - Horizontal Air Intake Cap*
 - Horizontal Vent Cap*
 - Category IV to II Vent Conversion Kit*
- *see venting submittal*

Firing Control Systems

(M) indicates 5:1 turndown, Category IV, 502-2001 Models

- M9 Hot Surface Ignition with
Electronic Supervision (Standard)

- M7 California Code

(B) indicates 2:1 turndown, Category I, 1501-2001 Models

- B9 Hot Surface Ignition with
Electronic Supervision (Standard)

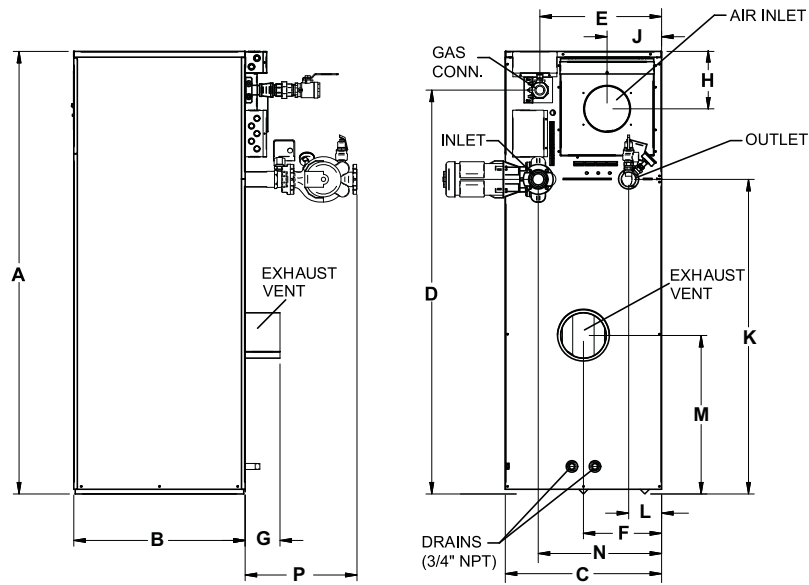
- B7 California Code

(F) indicates 100% On/Off, Category I, 502-1302 Models

- F9 Hot Surface Ignition with
Electronic Supervision (Standard)

- F7 California Code

Power-Fin® Gas-Fired Water Heater Dimensions & Specifications



Model Number	Btu/Hr Input	GPH @ 100°F Rise		A	B	C	D	E		F	G	H	J
		F9	M9					B9/F9	M9				
PFN0502PM	500,000	515	527	44-1/2"	28-1/2"	23-1/4"	34"	17-3/4"	19-1/2"	6-1/2"	6"	8"	7-3/4"
PFN0752PM	750,000	773	791	52"	28-1/2"	23-1/4"	41-1/2"	17-3/4"	19-1/2"	6-3/4"	6"	8"	7-3/4"
PFN1002PM	999,999	1,030	1,054	59-1/4"	28-1/2"	23-1/4"	48-3/4"	17-3/4"	19-1/2"	7-1/4"	6"	8"	7-3/4"
PFN1302PM	1,300,000	1,323	1,371	67-3/4"	28-1/2"	23-1/4"	57-1/4"	17-3/4"	19-1/2"	8-1/4"	6"	8"	7-3/4"
PFN1501PM	1,500,000	1,527	1,582	65-1/2"	29-3/4"	27-1/4"	58-3/4"	21"	21"	13-1/2"	8"	10"	9-1/2"
PFN1701PM	1,700,000	1,731	1,793	70"	29-3/4"	27-1/4"	63-1/4"	21"	21"	13-1/2"	8"	10"	9-1/2"
PFN2001PM	2,000,000	2,036	2,109	76-3/4"	29-3/4"	27-1/4"	70"	21"	21"	13-1/2"	8"	10"	9-1/2"

Model Number	K	L	M	P N	P B9/F9	Gas M9	Air Conn.	Vent Sizes			Wt. M9	(lbs)
								Cat I Inlet	Cat II B9/F9	Cat IV M9		
PFN0502PM	23"	11-1/2"	11-1/4"	17-1/2"	15-1/4"	15-1/4"	1"	5"	7"	7"	4"	540
PFN0752PM	30-1/2"	11-1/2"	11-1/4"	17-1/2"	15-1/4"	15-1/4"	1-1/4"	5"	9"	9"	5"	610
PFN1002PM	37-3/4"	11-1/2"	11-1/4"	17-1/2"	15-1/4"	15-1/4"	1-1/4"	6"	10"	10"	6"	655
PFN1302PM	46-1/4"	11-1/2"	19-1/2"	17-1/2"	15-1/4"	15-1/4"	1-1/4"	6"	12"	12"	8"	727
PFN1501PM	43-1/2"	5-3/4"	22-1/4"	21-1/2"	24-1/2"	19-1/2"	1-1/2"	6"	12"	8"	6"	1,091
PFN1701PM	48"	5-3/4"	25"	21-1/2"	24-1/2"	19-1/2"	1-1/2"	7"	14"	9"	7"	1,134
PFN2001PM	54-3/4"	5-3/4"	27-1/2"	21-1/2"	24-1/2"	19-1/2"	1-1/2"	8"	14"	10"	8"	1,184

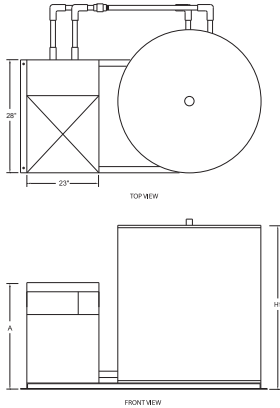
Notes: Change 'N' to 'L' for LP Gas Model. No deration on LP models. Temperature rise calculations based on firing rate of 100% All water connections are 2-1/2"

Venting Options

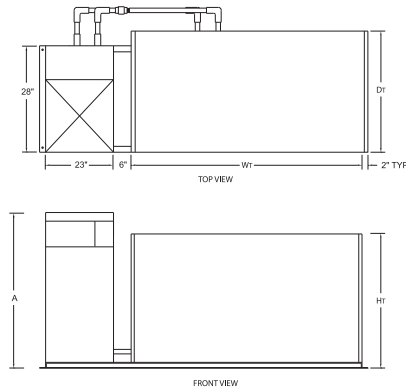
- Sidewall
- Vertical
- DirectAire Vertical w/ Sidewall Inlet
- DirectAire Horizontal w/ Rooftop Inlet
- Direct Vent Horizontal
- Direct Vent Vertical
- Intelligent Venting Solutions

Power-Fin® Gas Water Heater Package System Dimensions & Specifications

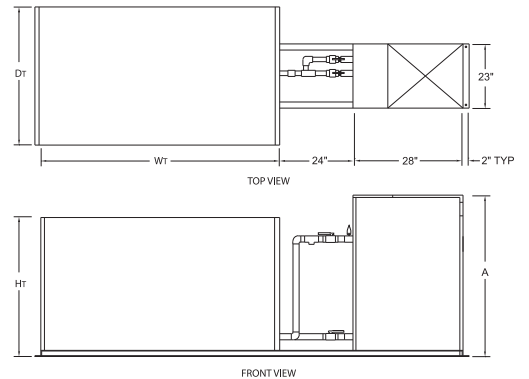
V1 Configuration



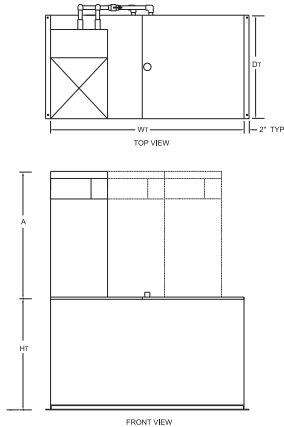
H1 Configuration



H2 Configuration



H3 Configuration



H3 configuration is offered with Square Jacketed Tank only.

V1, H1 & H2 Configurations are standard with Round Jacketed Tanks

Gallons	HORIZONTAL TANK DIMENSIONS			Weight
	H _T	W _T	D _T	
300	50-1/2"	78-1/4"	42-1/4"	1,700
400	50-1/2"	102-1/4"	42-1/4"	2,250
500	56-1/2"	90-3/4"	48-1/4"	2,450
600	56-1/2"	114-1/4"	48-1/4"	3,350
700	56-1/2"	130-1/4"	48-1/4"	4,000
800	62-1/2"	124-1/4"	54-1/4"	4,800
1,000	62-1/2"	138-1/4"	54-1/4"	5,100
1,250	68-1/2"	130-1/4"	60-1/4"	5,900
1,500	77-1/2"	126-1/4"	66-1/4"	6,500
2,000	80-1/2"	138-1/4"	72-1/4"	9,000
2,500	86-1/2"	144-1/4"	78-1/4"	10,000

Gallon	VERTICAL TANK DIMENSIONS			Weight
	H _T	Dia.	Weight	
119	62-1/2"	28"	345	
200	77-1/4"	32"	600	
257	92"	34"	902	
318	81"	40"	993	
432	81"	46"	1,269	
504	92"	46"	1,373	

NOTE: Add heater dimensions to tank dimensions to get overall package dimensions or consult factory if measurements are critical.

All package systems are skid mounted.



Lochinvar[®]
High Efficiency Water Heaters, Boilers and Pool Heaters

Lochinvar, LLC
300 Maddox Simpson Parkway
Lebanon, Tennessee 37090
P: 615-889-8900 / F: 615-547-1000
www.Lochinvar.com

