



**Lochinvar**<sup>®</sup>  
HIGH EFFICIENCY BOILERS & WATER HEATERS

**POWER-FIN<sup>®</sup>**  
**VENTING OPTIONS**  
**Submittal Sheet**

**PFXV-Sub-10**

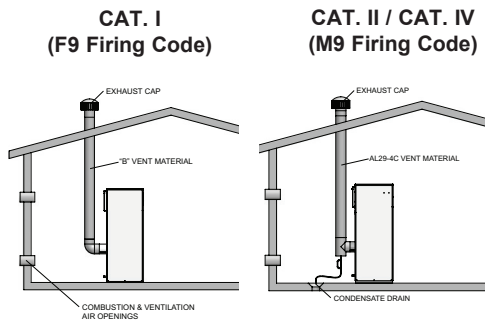
**POWER-FIN<sup>®</sup> VENTING OPTIONS**

**JOB NAME** \_\_\_\_\_  
**LOCATION** \_\_\_\_\_  
**ARCH./ENGR.** \_\_\_\_\_  
**WHOLESALER** \_\_\_\_\_  
**MECH. CONTRACTOR** \_\_\_\_\_  
**MODEL NO.** \_\_\_\_\_  
**NOTES** \_\_\_\_\_

**VERTICAL VENT WITH COMBUSTION AIR FROM THE EQUIPMENT ROOM**

**Category I / Category II / Category IV**

Vents vertically with combustion air from the equipment room. Vent material and exhaust vent cap are field supplied. See Table below for the Cat II vent connection increaser kit.



**VENT CONNECTION INCREASER KIT**

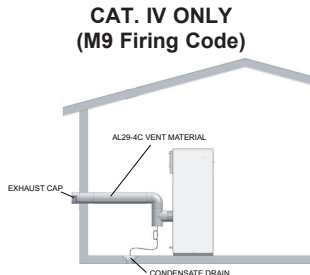
MODEL NO.	CATEGORY CHANGE	FLUE SIZE	KIT NUMBER
PB/PF0502-M9	from CAT IV to CAT II	4" to 7"	KIT3131
PB/PF0752-M9	from CAT IV to CAT II	5" to 9"	KIT3132
PB/PF1002-M9	from CAT IV to CAT II	6" to 10"	KIT3133
PB/PF1302-M9	from CAT IV to CAT II	8" to 12"	KIT3134
PB/PF1501-M9	from CAT IV to CAT II	6" to 8"	KIT3106
PB/PF1701-M9	from CAT IV to CAT II	7" to 9"	KIT3107
PB/PF2001-M9	from CAT IV to CAT II	8" to 10"	KIT3108

**Note:** Must order "-M9" firing code for models to be installed with Cat II or Cat IV vent configurations.

**SIDEWALL VENT WITH COMBUSTION AIR FROM THE EQUIPMENT ROOM**

**Category IV**

Vents horizontally up to 50 equivalent feet with combustion air from the equipment room. Category IV vent material is field supplied locally. Lochinvar supplies the exhaust cap. See Table below for exhaust cap part number. **This vent configuration may not be installed as Category I with "B" vent.**



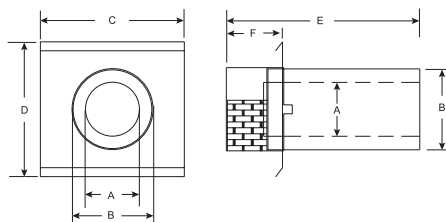
**SIDEWALL VENT KIT**

**EXHAUST CAP DIMENSIONS**

MODEL NO.	KIT NUMBER	A	B	C	D	E	F	G
PB/PF0502-M9	SVK3069	4"	7"	16"	15"	21-1/2"	6"	9"
PB/PF0752-M9	SVK3070	5"	8"	16"	15"	21-1/2"	6"	10"
PB/PF1002-M9	SVK3018	6"	9"	16"	15"	21-1/2"	11"	11"
PB/PF1302-M9	SVK3068	8"	11"	18"	17"	23-1/2"	8"	13"
PB/PF1501-M9	SVK3018	6"	9"	16"	15"	21-1/2"	11"	11"
PB/PF1701-M9	SVK3019	7"	10"	17"	16"	23-1/2"	12"	12"
PB/PF2001-M9	SVK3068	8"	11"	18"	17"	23-1/2"	8"	13"

**Note:** Must order "-M9" firing code for models to be installed with Cat IV vent material.

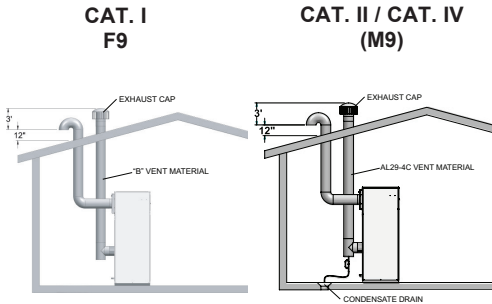
**SIDEWALL EXHAUST CAP**



## VERTICAL VENT WITH ROOFTOP COMBUSTION AIR / SAME PRESSURE ZONE

### Category I / Category II / Category IV

Vents vertically up to 50 equivalent feet and directly draws combustion air 50 equivalent feet from the rooftop. Vent material and exhaust cap are field supplied. See Table below for the Cat II vent connection increaser kit.



### VENT CONNECTION INCREASER KIT

MODEL NO.	CATEGORY CHANGE	FLUE SIZE	KIT NUMBER
PB/PF0502-M9	from CAT IV to CAT II	4" to 7"	KIT3131
PB/PF0752-M9	from CAT IV to CAT II	5" to 9"	KIT3132
PB/PF1002-M9	from CAT IV to CAT II	6" to 10"	KIT3133
PB/PF1302-M9	from CAT IV to CAT II	8" to 12"	KIT3134
PB/PF1501-M9	from CAT IV to CAT II	6" to 8"	KIT3106
PB/PF1701-M9	from CAT IV to CAT II	7" to 9"	KIT3107
PB/PF2001-M9	from CAT IV to CAT II	8" to 10"	KIT3108

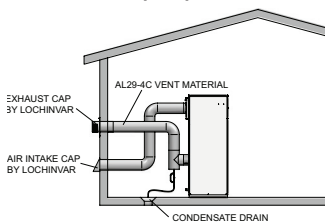
**Note:** Must order "-M9" firing code for models to be installed with Cat II or Cat IV vent configurations.

## HORIZONTAL VENT WITH SIDEWALL COMBUSTION AIR / SAME PRESSURE ZONE

### Category IV

Vents horizontally up to 50 equivalent feet and directly draws combustion air 50 equivalent feet from the sidewall. Category IV vent material only, field supplied. Lochinvar supplies the exhaust cap and the air intake cap. See Table below for exhaust cap and air intake cap kit part number. **This vent configuration may not be installed as Category I with "B" vent.**

### CAT. IV ONLY (M9)



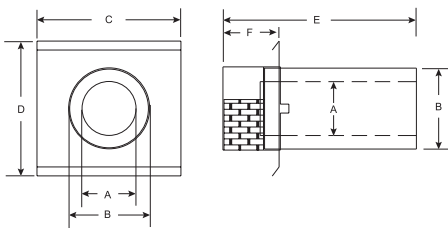
### HORIZONTAL DIRECT VENT KITS

The "HDK" Kit includes Air Intake Cap & Exhaust Cap - Caps may be sold separately or together in the HDK Kit.

MODEL NO.	HDK KIT NUMBER	Air Intake Cap	Exhaust Cap
PB/PF0502-M9	HDK3052	SAK3003	SVK3069
PB/PF0752-M9	HDK3053	SAK3003	SVK3070
PB/PF1002-M9	HDK3049	SAK3004	SVK3018
PB/PF1302-M9	HDK3054	SAK3004	SVK3068
PB/PF1501-M9	HDK3049	SAK3004	SVK3018
PB/PF1701-M9	HDK3050	SAK3005	SVK3019
PB/PF2001-M9	HDK3051	SAK3006	SVK3068

**Note:** Must order "-M9" firing code for models to be installed with Cat IV vent configurations.

### SIDEWALL EXHAUST CAP



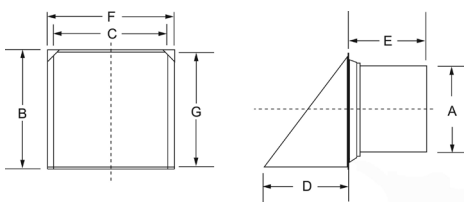
### SIDEWALL VENT KIT

### EXHAUST CAP DIMENSIONS

MODEL NO.	KIT NUMBER	A	B	C	D	E	F	G
PB/PF0502-M9	SVK3069	4"	7"	16"	15"	21-1/2"	6"	9"
PB/PF0752-M9	SVK3070	5"	8"	16"	15"	21-1/2"	6"	10"
PB/PF1002-M9	SVK3018	6"	9"	16"	15"	21-1/2"	11"	11"
PB/PF1302-M9	SVK3068	8"	11"	18"	17"	23-1/2"	8"	13"
PB/PF1501-M9	SVK3018	6"	9"	16"	15"	21-1/2"	11"	11"
PB/PF1701-M9	SVK3019	7"	10"	17"	16"	23-1/2"	12"	12"
PB/PF2001-M9	SVK3068	8"	11"	18"	17"	23-1/2"	8"	13"

**Note:** Must order "-M9" firing code for models to be installed with Cat IV vent material.

### SIDEWALL AIR INTAKE CAP



### SIDEWALL AIR INTAKE KIT

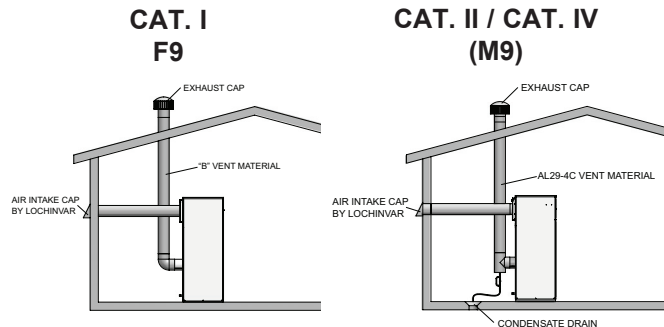
### AIR INTAKE CAP DIMENSIONS

MODEL NO.	KIT NUMBER	A	B	C	D	E	F	G
PB/PF0502-F9 or M9	SAK3003	5"	9"	8"	4"	2-1/2"	9"	8-1/2"
PB/PF0752-F9 or M9	SAK3003	5"	9"	8"	4"	2-1/2"	9"	8-1/2"
PB/PF1002-F9 or M9	SAK3004	6"	9"	8"	4-1/2"	2-1/2"	9"	8-1/2"
PB/PF1302-F9 or M9	SAK3004	6"	9"	8"	4-1/2"	2-1/2"	9"	8-1/2"
PB/PF1501-F9 or M9	SAK3004	6"	9"	8"	4-1/2"	2-1/2"	9"	8-1/2"
PB/PF1701-F9 or M9	SAK3005	7"	12"	11"	7"	2-1/2"	12"	11-1/2"
PB/PF2001-F9 or M9	SAK3006	8"	12"	11"	7"	2-1/2"	12"	11-1/2"

## VERTICAL VENT WITH SIDEWALL COMBUSTION AIR / DIFFERENT PRESSURE ZONES

### Category I / Category II / Category IV

Vents vertically up to 50 equivalent feet and directly draws combustion air 50 equivalent feet from the sidewall. Vent material and exhaust cap are field supplied. Lochinvar supplies the air intake cap. See Tables below for the air intake cap part number and the Cat II vent connection increaser kit.

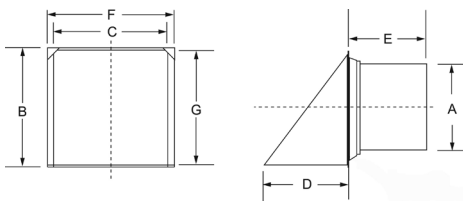


#### VENT CONNECTION INCREASER KIT

MODEL NO.	CATEGORY CHANGE	FLUE SIZE	KIT NUMBER
PB/PF0502-M9	from CAT IV to CAT II	4" to 7"	KIT3131
PB/PF0752-M9	from CAT IV to CAT II	5" to 9"	KIT3132
PB/PF1002-M9	from CAT IV to CAT II	6" to 10"	KIT3133
PB/PF1302-M9	from CAT IV to CAT II	8" to 12"	KIT3134
PB/PF1501-M9	from CAT IV to CAT II	6" to 8"	KIT3106
PB/PF1701-M9	from CAT IV to CAT II	7" to 9"	KIT3107
PB/PF2001-M9	from CAT IV to CAT II	8" to 10"	KIT3108

**Note:** Must order "-M9" firing code for models to be installed with Cat II or Cat IV vent configurations.

#### SIDEWALL AIR INTAKE CAP



#### SIDEWALL AIR INTAKE KIT AIR INTAKE CAP DIMENSIONS

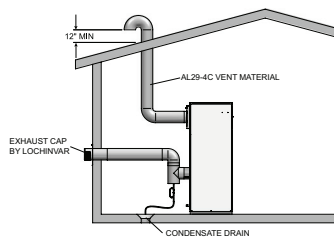
MODEL NO.	KIT NUMBER	A	B	C	D	E	F	G
PB/PF0502-F9 or M9	SAK3003	5"	9"	8"	4"	2-1/2"	9"	8-1/2"
PB/PF0752-F9 or M9	SAK3003	5"	9"	8"	4"	2-1/2"	9"	8-1/2"
PB/PF1002-F9 or M9	SAK3004	6"	9"	8"	4-1/2"	2-1/2"	9"	8-1/2"
PB/PF1302-F9 or M9	SAK3004	6"	9"	8"	4-1/2"	2-1/2"	9"	8-1/2"
PB/PF1501-F9 or M9	SAK3004	6"	9"	8"	4-1/2"	2-1/2"	9"	8-1/2"
PB/PF1701-F9 or M9	SAK3005	7"	12"	11"	7"	2-1/2"	12"	11-1/2"
PB/PF2001-F9 or M9	SAK3006	8"	12"	11"	7"	2-1/2"	12"	11-1/2"

## HORIZONTAL VENT WITH ROOFTOP COMBUSTION AIR / DIFFERENT PRESSURE ZONES

### Category IV

Vents horizontally up to 50 equivalent feet and directly draws combustion air 50 equivalent feet from the rooftop. Category IV vent material only, supplied locally. Lochinvar supplies the exhaust cap. See Tables below for exhaust cap part number. **This vent configuration may not be installed as Category I with "B" vent.**

#### CAT. IV ONLY (M9)

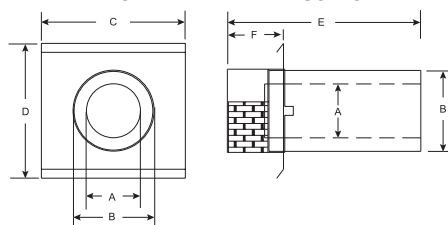


#### SIDEWALL VENT KIT EXHAUST CAP DIMENSIONS

MODEL NO.	KIT NUMBER	A	B	C	D	E	F	G
PB/PF0502-M9	SVK3069	4"	7"	16"	15"	21-1/2"	6"	9"
PB/PF0752-M9	SVK3070	5"	8"	16"	15"	21-1/2"	6"	10"
PB/PF1002-M9	SVK3018	6"	9"	16"	15"	21-1/2"	11"	11"
PB/PF1302-M9	SVK3068	8"	11"	18"	17"	23-1/2"	8"	13"
PB/PF1501-M9	SVK3018	6"	9"	16"	15"	21-1/2"	11"	11"
PB/PF1701-M9	SVK3019	7"	10"	17"	16"	23-1/2"	12"	12"
PB/PF2001-M9	SVK3068	8"	11"	18"	17"	23-1/2"	8"	13"

**Note:** Must order "-M9" firing code for models to be installed with Cat IV vent material.

#### SIDEWALL EXHAUST CAP

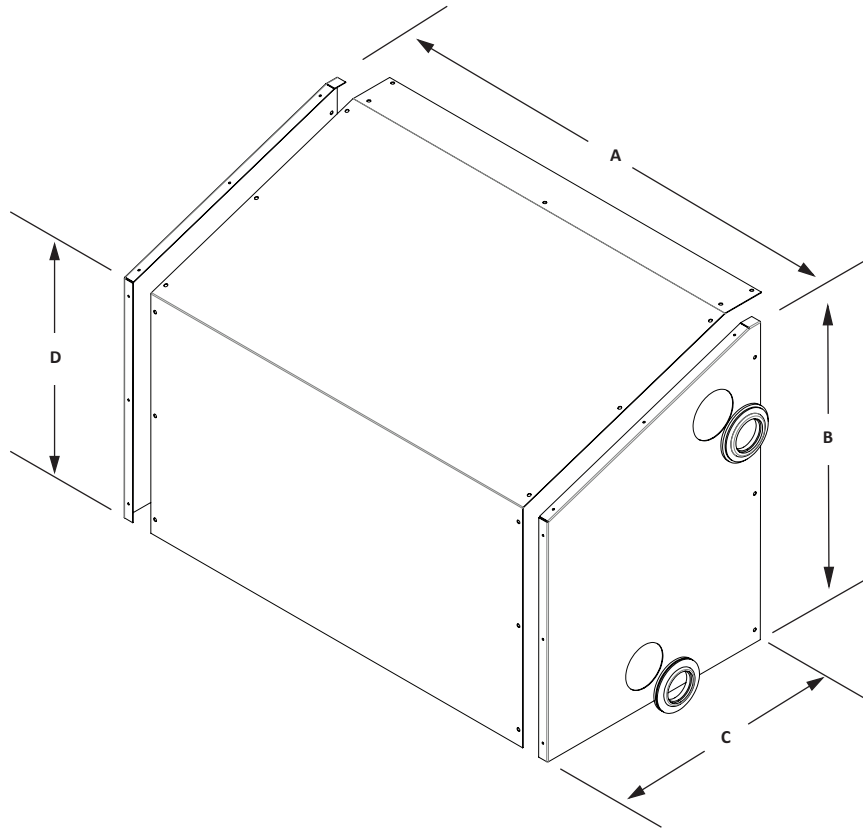


## OUTDOOR KIT

Outdoor kit to include outdoor hood, condensate trap cover and UV screen protector. All venting material is field supplied. **Outdoor installation is only recommended in warm weather applications.**

## OUTDOOR HOOD DIMENSIONS

100280318	Material #	A	B	C	D
PB/PF 502 - 1302	100280318	23-1/4"	16-1/2"	16-1/2"	14-5/16"
PB/PF 1501 - 2001	100280319	27-1/4"	17-1/2"	20-3/4"	14-1/2"
PB/PF 1501 - 2001 B9 ONLY	100280320	27-1/4"	17-1/2"	25-1/2"	13-3/4"
PB 2500 - 3000	100274941	30"	19"	20"	12"
PB 3500	100274942	30"	19"	20"	12"
PB 4000	100274943	30"	19"	20"	12"
PB 5000	100274944	30"	19"	20"	12"



Lochinvar Corporation • 300 Maddox Simpson Pkwy • Lebanon, TN 37090 • 615-889-8900/Fax: 615-547-1000  
[www.Lochinvar.com](http://www.Lochinvar.com)