

POWER-FIN[®] VENTING OPTIONS

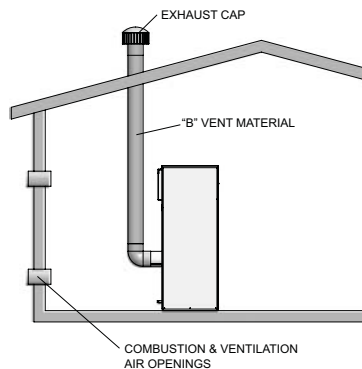
JOB NAME _____
LOCATION _____
ARCH./ENGR. _____
WHOLESALE _____
MECH. CONTRACTOR _____
MODEL NO. _____
NOTES _____

VERTICAL VENT WITH COMBUSTION AIR FROM THE EQUIPMENT ROOM

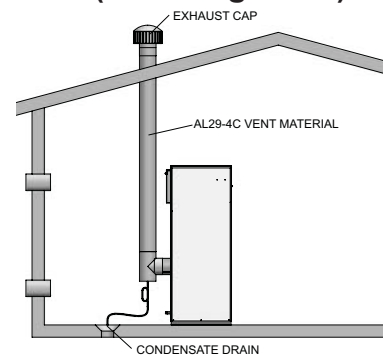
Category I / Category II / Category IV

Vents vertically with combustion air from the equipment room. Vent material and exhaust vent cap are supplied locally. See Table 1 for the Cat II vent connection increaser kit.

CAT. I
(F9 or B9 Firing Code)



CAT. II / CAT. IV
(M9 Firing Code)



SIDEWALL VENT WITH COMBUSTION AIR FROM THE EQUIPMENT ROOM

Category IV

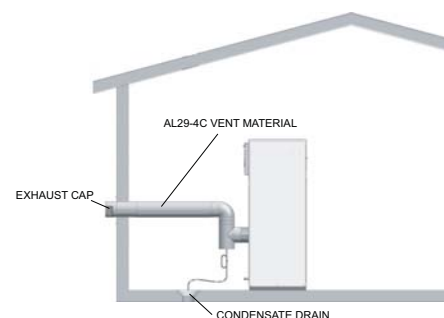
Vents horizontally up to 50 equivalent feet with combustion air from the equipment room. Category IV vent material only, supplied locally. Lochinvar supplies the exhaust cap. See Table 2 for exhaust cap part number.

This vent configuration may not be installed as Category I with "B" vent.

SIDEWALL VENT KIT

MODEL NO.	KIT NUMBER
PB/PF0502-M9	SVK3069
PB/PF0752-M9	SVK3070
PB/PF1002-M9	SVK3018
PB/PF1302-M9	SVK3068
PB/PF1501-M9	SVK3018
PB/PF1701-M9	SVK3019
PB/PF2001-M9	SVK3068

CAT. IV ONLY
(M9 Firing Code)

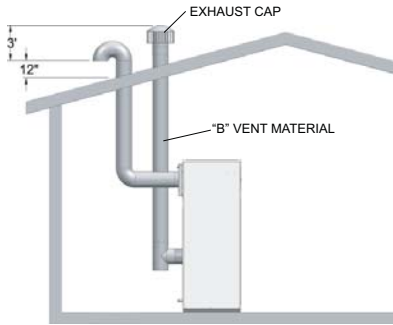


SEE PAGE 4 FOR TABLES

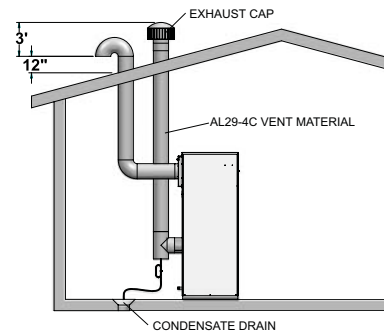
VERTICAL VENT WITH ROOFTOP COMBUSTION AIR / SAME PRESSURE ZONE
Category I / Category II / Category IV

Vents vertically up to 50 equivalent feet and directly draws combustion air 50 equivalent feet from the rooftop. Vent material and exhaust cap are supplied locally. See Table 1 for the Cat II vent connection increaser kit.

**CAT. I
(F9 or B9)**



**CAT. II / CAT. IV
(M9)**



HORIZONTAL VENT WITH SIDEWALL COMBUSTION AIR / SAME PRESSURE ZONE
Category IV

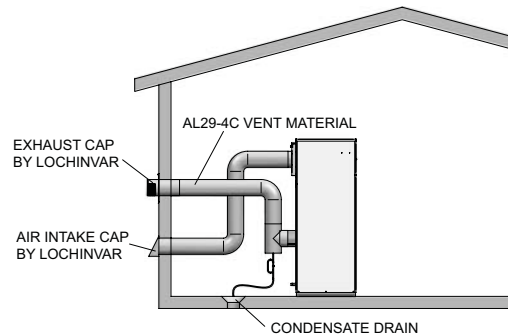
Vents horizontally up to 50 equivalent feet and directly draws combustion air 50 equivalent feet from the sidewall. Category IV vent material only, supplied locally. Lochinvar supplies the exhaust cap and the air intake cap. See Table 4 for exhaust cap and air intake cap kit part number.

This vent configuration may not be installed as Category I with "B" vent.

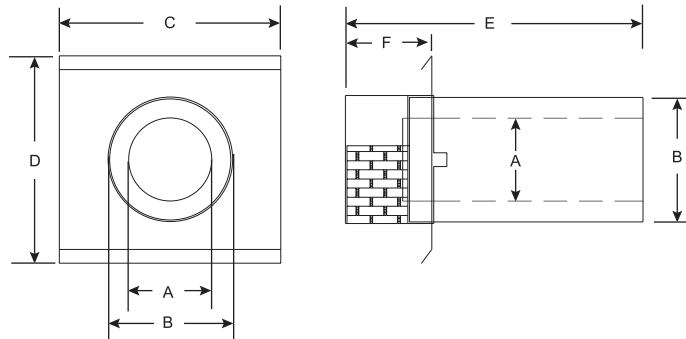
HORIZONTAL DIRECT VENT KITS

MODEL NO.	KIT NUMBER
PB/PF0502-M9	HDK3052
PB/PF0752-M9	HDK3053
PB/PF1002-M9	HDK3049
PB/PF1302-M9	HDK3054
PB/PF1501-M9	HDK3049
PB/PF1701-M9	HDK3050
PB/PF2001-M9	HDK3051

**CAT. IV ONLY
(M9)**



SIDEWALL EXHAUST CAP



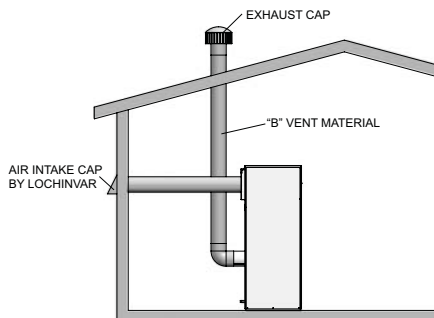
SEE PAGE 4 FOR TABLES

VERTICAL VENT WITH SIDEWALL COMBUSTION AIR / DIFFERENT PRESSURE ZONES

Category I / Category II / Category IV

Vents vertically up to 50 equivalent feet and directly draws combustion air 50 equivalent feet from the sidewall. Vent material and exhaust cap are supplied locally. Lochinvar supplies the air intake cap. See Table 3 for the air intake cap part number. See Table 1 for the Cat II vent connection increaser kit.

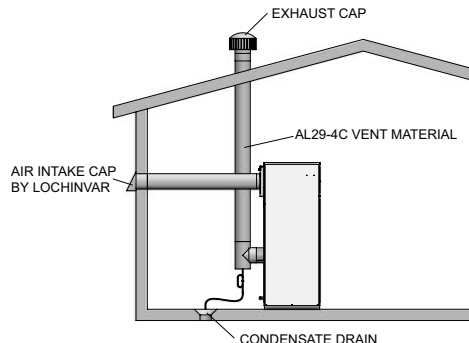
CAT. I (F9 or B9)



SIDEWALL AIR INTAKE KIT

MODEL NO.	KIT NUMBER
PB/PF0502-F9 or M9	SAK3003
PB/PF0752-F9 or M9	SAK3003
PB/PF1002-F9 or M9	SAK3004
PB/PF1302-F9 or M9	SAK3004
PB/PF1501-B9 or M9	SAK3004
PB/PF1701-B9 or M9	SAK3005
PB/PF2001-B9 or M9	SAK3006

CAT. II / CAT. IV (M9)



HORIZONTAL VENT WITH ROOFTOP COMBUSTION AIR / DIFFERENT PRESSURE ZONES

Category IV

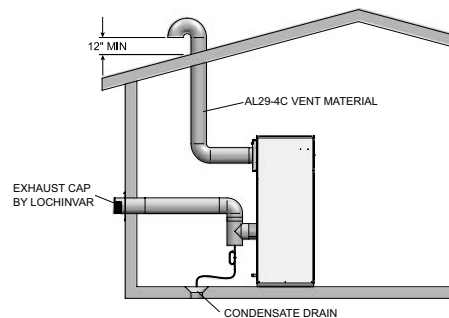
Vents horizontally up to 50 equivalent feet and directly draws combustion air 50 equivalent feet from the rooftop. Category IV vent material only, supplied locally. Lochinvar supplies the exhaust cap. See Table 2 for exhaust cap part number.

This vent configuration may not be installed as Category I with "B" vent.

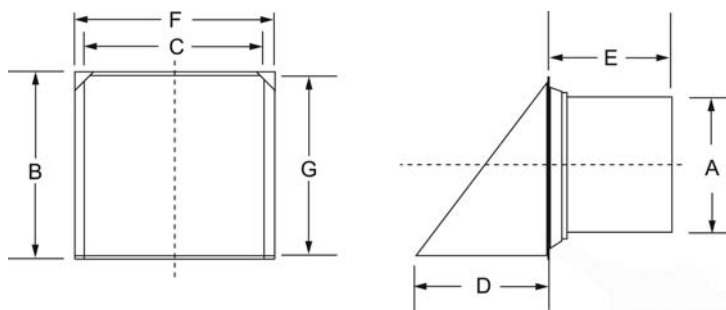
SIDEWALL VENT KIT

MODEL NO.	KIT NUMBER
PB/PF0502-M9	SVK3069
PB/PF0752-M9	SVK3070
PB/PF1002-M9	SVK3018
PB/PF1302-M9	SVK3068
PB/PF1501-M9	SVK3018
PB/PF1701-M9	SVK3019
PB/PF2001-M9	SVK3068

CAT. IV ONLY (M9)



SIDEWALL AIR INTAKE CAP



SEE PAGE 4 FOR TABLES

IMPORTANT NOTES ABOUT VENT CONNECTIONS:

IT IS IMPORTANT TO REQUEST THE CORRECT "F9", "B9" OR "M9" FIRING CODE TO MATCH THE PLANNED VENT CATEGORY. EACH MODEL WILL BE FACTORY CONSTRUCTED WITH EITHER OF TWO DIFFERENT SIZED VENT CONNECTIONS BASED ON THE FIRING CODE ORDERED.

PB/PF0502 / 0752 / 1002 / 1302-F9, MODELS AND PB/PF1501 / 1701 / 2001-B9 MODELS

FEATURE A LARGE VENT CONNECTION SIZED FOR CATEGORY I VENTING.

PB/PF0502 / 0752 / 1002 / 1302 / 1501 / 1701 / 2001-M9 MODELS

FEATURE A SMALLER VENT CONNECTION SIZED FOR CATEGORY IV VENTING. USE THE VENT CONNECTION ADAPTER LISTED IN TABLE 1 TO INCREASE FROM CATEGORY IV VENT CONNECTION TO CATEGORY II.

TABLE 1
VENT CONNECTION INCREASER KIT

MODEL NO.	CATEGORY CHANGE	FLUE SIZE	KIT NUMBER
PB/PF0502-M9	from CAT IV to CAT II	4" to 7"	KIT3131
PB/PF0752-M9	from CAT IV to CAT II	5" to 9"	KIT3132
PB/PF1002-M9	from CAT IV to CAT II	6" to 10"	KIT3133
PB/PF1302-M9	from CAT IV to CAT II	8" to 12"	KIT3134
PB/PF1501-M9	from CAT IV to CAT II	6" to 8"	KIT3106
PB/PF1701-M9	from CAT IV to CAT II	7" to 9"	KIT3107
PB/PF2001-M9	from CAT IV to CAT II	8" to 10"	KIT3108

Note: Must order "-M9" firing code for models to be installed with Cat II or Cat IV vent configurations.

TABLE 2
SIDEWALL VENT KIT **EXHAUST CAP DIMENSIONS**

MODEL NO.	KIT NUMBER	A	B	C	D	E	F	G
PB/PF0502-M9	SVK3069	4"	7"	16"	15"	21-1/2"	6"	9"
PB/PF0752-M9	SVK3070	5"	8"	16"	15"	21-1/2"	6"	10"
PB/PF1002-M9	SVK3018	6"	9"	16"	15"	21-1/2"	11"	11"
PB/PF1302-M9	SVK3068	8"	11"	18"	17"	23-1/2"	8"	13"
PB/PF1501-M9	SVK3018	6"	9"	16"	15"	21-1/2"	11"	11"
PB/PF1701-M9	SVK3019	7"	10"	17"	16"	23-1/2"	12"	12"
PB/PF2001-M9	SVK3068	8"	11"	18"	17"	23-1/2"	8"	13"

Note: Must order "-M9" firing code for models to be installed with Cat IV vent material.

TABLE 3
SIDEWALL AIR INTAKE KIT **AIR INTAKE CAP DIMENSIONS**

MODEL NO.	KIT NUMBER	A	B	C	D	E	F	G
PB/PF0502-F9 or M9	SAK3003	5"	9"	8"	4"	2-1/2"	9"	8-1/2"
PB/PF0752-F9 or M9	SAK3003	5"	9"	8"	4"	2-1/2"	9"	8-1/2"
PB/PF1002-F9 or M9	SAK3004	6"	9"	8"	4-1/2"	2-1/2"	9"	8-1/2"
PB/PF1302-F9 or M9	SAK3004	6"	9"	8"	4-1/2"	2-1/2"	9"	8-1/2"
PB/PF1501-B9 or M9	SAK3004	6"	9"	8"	4-1/2"	2-1/2"	9"	8-1/2"
PB/PF1701-B9 or M9	SAK3005	7"	12"	11"	7"	2-1/2"	12"	11-1/2"
PB/PF2001-B9 or M9	SAK3006	8"	12"	11"	7"	2-1/2"	12"	11-1/2"

TABLE 4
HORIZONTAL DIRECT VENT KITS

The "HDK" Kit includes Air Intake Cap & Exhaust Cap - Caps may be sold separately or together in the HDK Kit.

MODEL NO.	HDK KIT NUMBER	Air Intake Cap	Exhaust Cap
PB/PF0502-M9	HDK3052	SAK3003	SVK3069
PB/PF0752-M9	HDK3053	SAK3003	SVK3070
PB/PF1002-M9	HDK3049	SAK3004	SVK3018
PB/PF1302-M9	HDK3054	SAK3004	SVK3068
PB/PF1501-M9	HDK3049	SAK3004	SVK3018
PB/PF1701-M9	HDK3050	SAK3005	SVK3019
PB/PF2001-M9	HDK3051	SAK3006	SVK3068

Note: Must order "-M9" firing code for models to be installed with Cat IV vent configurations.



Lochinvar Corporation • 300 Maddox Simpson Pkwy • Lebanon, TN 37090 • 615-889-8900/Fax: 615-547-1000

www.Lochinvar.com