



# Lochinvar®

## PUMP Recommendation

PUMP-Rec-01 Rev F

### PUMP RECOMMENDATION FOR ARMOR 151-200 WATER HEATER

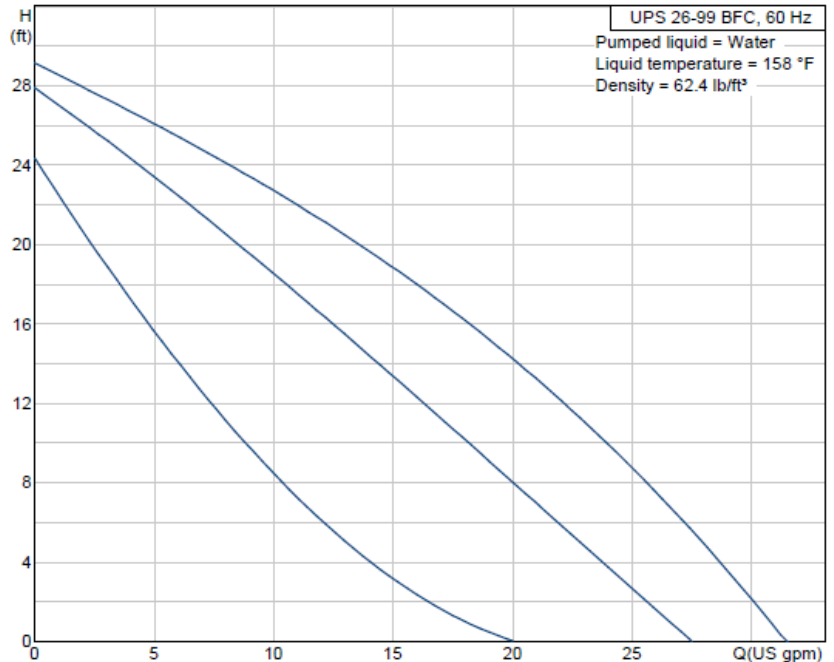
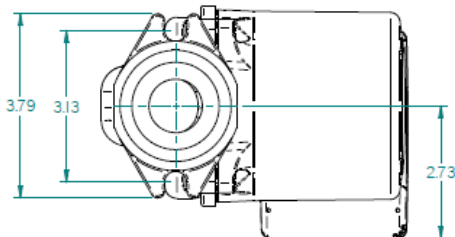
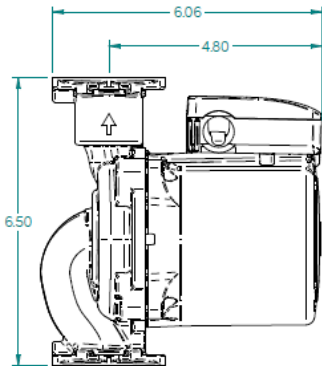
#### Pump Specifications

| Part No. | Horse Power | Flanges | Valute Material | Flange Material | Vendor   | Vendor Product Series | Orientation |
|----------|-------------|---------|-----------------|-----------------|----------|-----------------------|-------------|
| PUM30039 | 1/6         | 1-1/4"  | Bronze          | Bronze          | Grundfos | UP 26-99BF            | Vertical    |

#### Installation Specifications

| Pump     | Recommended for Model Numbers  | Minimum GPM   | Based on Installation Type                       |
|----------|--------------------------------|---|--|
| PUM30039 | Armor Wtr Htr, AW(N,L) 151-200 | 16 GPM (151) & 21 GPM (200)   | Single Water Heater piped to Single Storage Tank |
|          | Based on Minimum Pipe Diameter | Based on Connecting piping  |  |
|          | 1-1/4"                         | Maximum 45 feet straight pipe with 4-Elbows, 2-Unions and 2-Ball Valves |  |

**IMPORTANT:** Read the Armor 151-801 Installation and Operation Manual. If the planned system exceeds the pump capacity in flow and/or head see "Pump Curves-All Pumps" for alternate pumps and pump curves.



**Lochinvar®**  
HIGH EFFICIENCY BOILERS & WATER HEATERS

Lochinvar, LLC  
300 Maddox Simpson Parkway  
Lebanon, Tennessee 37090  
P: 615.889.8900 / F: 615.547.1000  
[www.Lochinvar.com](http://www.Lochinvar.com)



# Lochinvar®

**PUMP**  
Recommendation

PUMP-Rec-01 Rev F

## PUMP RECOMMENDATION FOR ARMOR 286 WATER HEATER

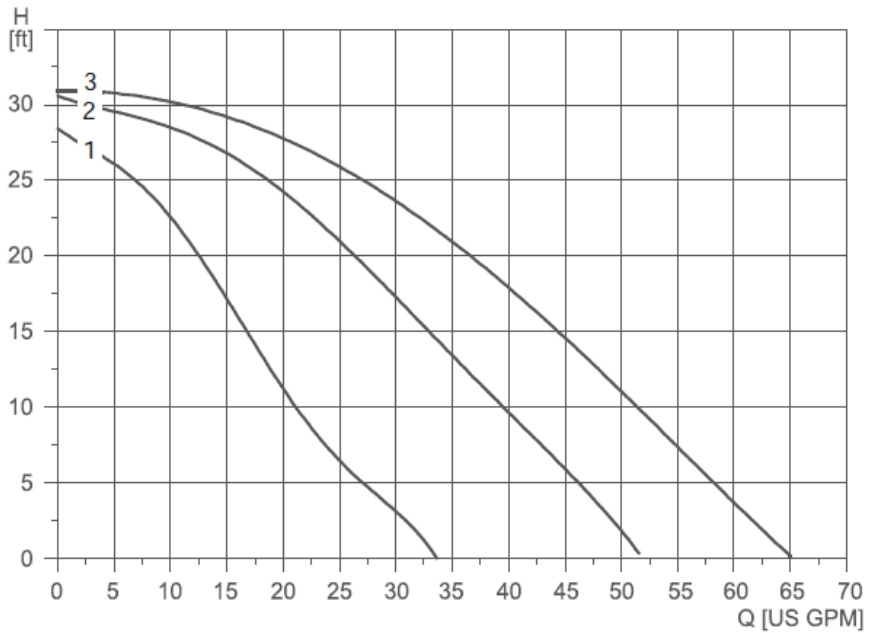
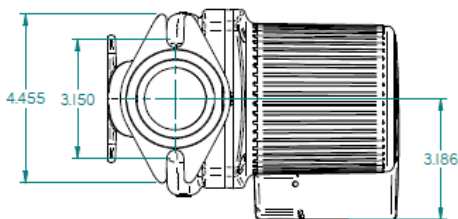
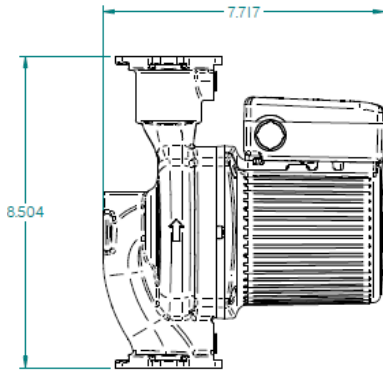
### Pump Specifications

| Part No. | Horse Power | Flanges | Valute Material | Flange Material | Vendor   | Vendor Product Series | Orientation |
|----------|-------------|---------|-----------------|-----------------|----------|-----------------------|-------------|
| PUM30032 | 1/6         | 1-1/2"  | Bronze          | Bronze          | Grundfos | UPS 43-100SF          | Vertical    |

### Installation Specifications

| Pump     | Recommended for Model Numbers        | Minimum GPM   | Based on Installation Type                       |
|----------|--------------------------------------|---|--|
| PUM30032 | Armor Wtr Htr, AW(N,L) 286           | 30 GPM  | Single Water Heater piped to Single Storage Tank |
|          | Based on Minimum Pipe Diameter<br>2" | Based on Connecting piping<br>Maximum 45 feet straight pipe with 4-Elbows, 2-Unions and 2-Ball Valves |  |

**IMPORTANT:** Read the Armor 151-801 Installation and Operation Manual. If the planned system exceeds the pump capacity in flow and/or head see "Pump-Curves-All Pumps" for alternate pumps and pump curves.



**Lochinvar®**  
HIGH EFFICIENCY BOILERS & WATER HEATERS

Lochinvar, LLC  
300 Maddox Simpson Parkway  
Lebanon, Tennessee 37090  
P: 615.889.8900 / F: 615.547.1000  
www.Lochinvar.com



# Lochinvar®

## PUMP Recommendation

PUMP-Rec-01 Rev F

### PUMP RECOMMENDATION FOR ARMOR 400-501-601 WATER HEATER

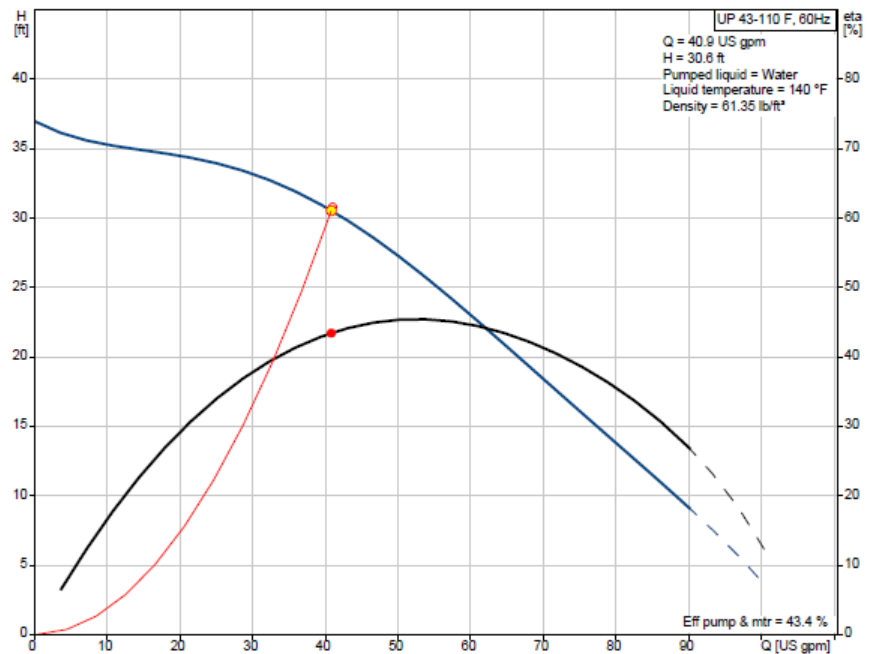
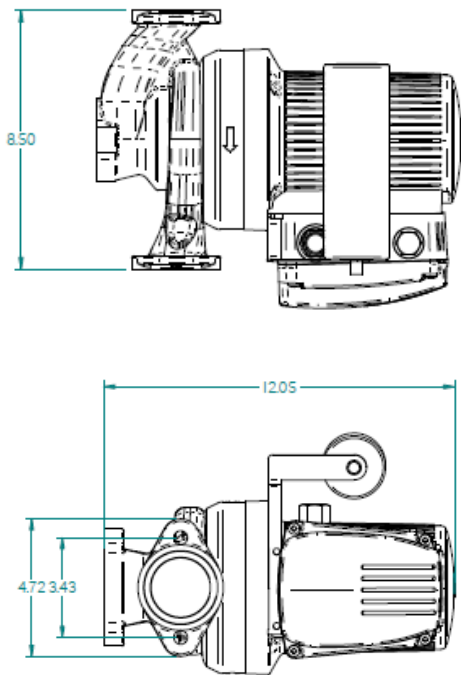
#### Pump Specifications

| Part No. | Horse Power | Flanges | Valute Material | Flange Material | Vendor   | Vendor Product Series | Orientation |
|----------|-------------|---------|-----------------|-----------------|----------|-----------------------|-------------|
| PUM30038 | 3/4         | 2"      | Bronze          | Bronze          | Grundfos | UPS 43-110SF          | Vertical    |

#### Installation Specifications

| Pump     | Recommended for Model Numbers      | Minimum GPM   | Based on Installation Type                       |
|----------|------------------------------------|---|--|
| PUM30038 | Armor Wtr Htr, AW(N,L) 400-501-601 | 39 GPM (400) / 53 GPM (501 & 601)                                       | Single Water Heater piped to Single Storage Tank |
|          | Based on Minimum Pipe Diameter     | Based on Connecting piping  |  |
|          | 2"                                 | Maximum 45 feet straight pipe with 4-Elbows, 2-Unions and 2-Ball Valves |  |

IMPORTANT: Read the Armor 151-801 Installation and Operation Manual. If the planned system exceeds the pump capacity in flow and/or head see "Pump-Curves-All Pumps" for alternate pumps and pump curves.



Lochinvar, LLC  
 300 Maddox Simpson Parkway  
 Lebanon, Tennessee 37090  
 P: 615.889.8900 / F: 615.547.1000  
[www.Lochinvar.com](http://www.Lochinvar.com)



# Lochinvar®

**PUMP**  
Recommendation

PUMP-Rec-01 Rev F

## PUMP RECOMMENDATION FOR ARMOR 701-801 WATER HEATER

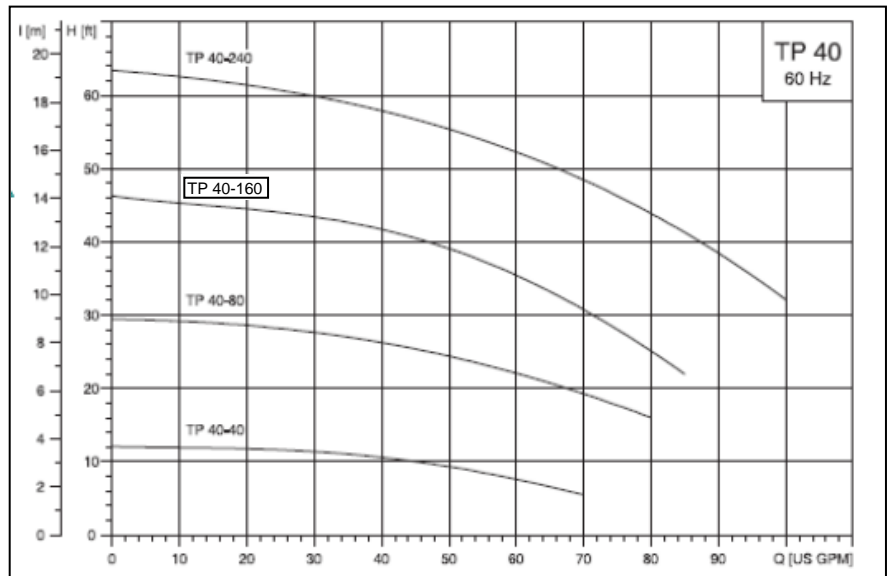
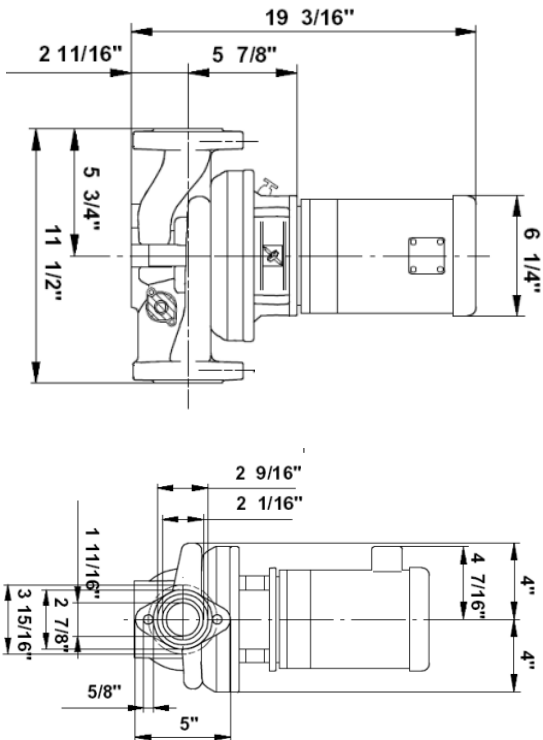
### Pump Specifications

| Part No. | Horse Power | Flanges | Valute Material | Flange Material | Vendor   | Vendor Product Series | Orientation |
|----------|-------------|---------|-----------------|-----------------|----------|-----------------------|-------------|
| PUM30004 | 3/4         | 2"      | Bronze          | Bronze          | Grundfos | Versa Flow TP40-160   | Vertical    |

### Installation Specifications

| Pump     | Recommended for Model Numbers               | Minimum GPM  | Based on Installation Type                       |
|----------|---|--|--|
| PUM30004 | Armor Wtr Htr, AW(N,L) 701-801              | 63 GPM (701) & 67 GPM (801)  | Single Water Heater piped to Single Storage Tank |
|          | <b>Based on Minimum Pipe Diameter</b><br>2" | <b>Based on Connecting piping</b><br>Maximum 45 feet straight pipe with 4-Elbows, 2-Unions and 2-Ball Valves |  |

**IMPORTANT:** Read the Armor 151-801 Installation and Operation Manual. If the planned system exceeds the pump capacity in flow and/or head see "Pump-Curves-All Pumps" for alternate pumps and pump curves.



Lochinvar, LLC  
300 Maddox Simpson Parkway  
Lebanon, Tennessee 37090  
P: 615.889.8900 / F: 615.547.1000  
[www.Lochinvar.com](http://www.Lochinvar.com)