

**PUMP RECOMMENDATION FOR  
COPPER-FIN II 0402-0752 WATER HEATER**

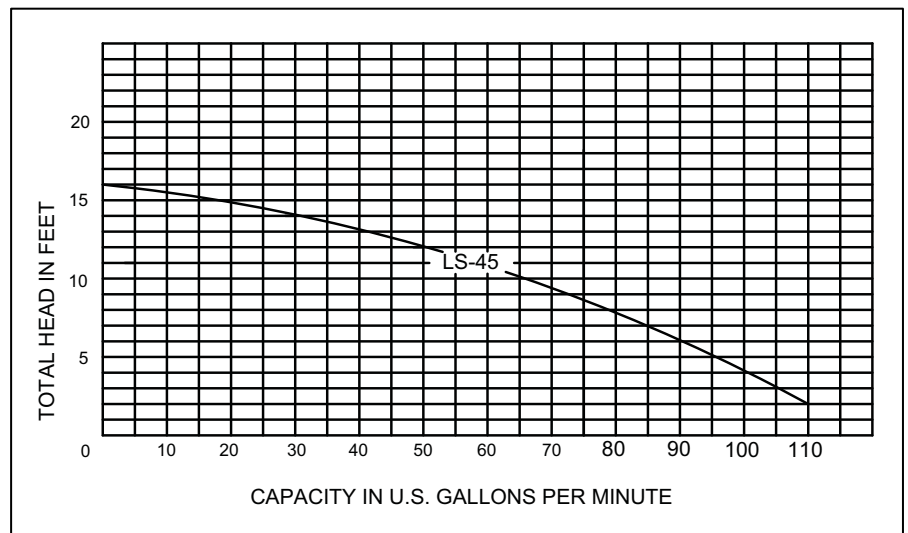
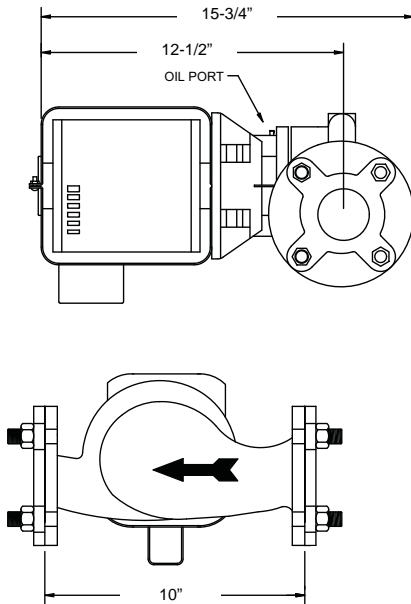
**Pump Specifications**

Part No.	HorsePower	Flanges	Valute Material	Flange Material	Vendor	Vendor Product Series	Orientation
ARM3044PAB	1/4	2"	Bronze	Bronze	Armstrong	LS45	Horizontal

**Installation Specifications**

Pump	Recommended for Model Numbers	Maximum GPM	Based on Installation Type
ARM3044PAB	Copper-Fin II Wtr Htr, CF(N,L) 402-752	55 GPM	Single Water Heater piped to Single Storage Tank
	<b>Based on Minimum Pipe Diameter</b> 2"	<b>Based on Connecting piping</b> Maximum 45 feet straight pipe with 6-Elbows, 2-Unions, 2-Ball Valves and 1-Cold Water Inlet Tee	

**IMPORTANT:** Read the Copper-fin II 399-2070 Installation and Operation Manual. If the planned system exceeds the pump capacity in flow and/or head see "Pump Curves-All Pumps" for alternate pumps and pump curves.



## PUMP RECOMMENDATION FOR COPPER-FIN II 0992-2072 WATER HEATER

### Pump Specifications

Part No.	HorsePower	Flanges	Valute Material	Flange Material	Vendor	Vendor Product Series	Orientation
ARM3024PAB	1/2	2-1/2"	Bronze	Bronze	Armstrong	2B1050	Horizontal

### Installation Specifications

Pump	Recommended for Model Numbers	Maximum GPM	Based on Installation Type
ARM3024PAB	Copper-Fin II Wtr Htr, CF(N,L) 0992-2072	90 GPM	Single Water Heater piped to Single Storage Tank
	<b>Based on Minimum Pipe Diameter</b> 2-1/2"	<b>Based on Connecting piping</b> Maximum 45 feet straight pipe with 6-Elbows, 2-Unions, 2-Ball Valves and 1-Cold Water Inlet Tee	

**IMPORTANT:** Read the Copper-fin II 399-2070 Installation and Operation Manual. If the planned system exceeds the pump capacity in flow and/or head see "Pump Curves-All Pumps" for alternate pumps and pump curves.

