



Lochinvar®

PUMP Recommendation

PUMP-Rec-08 Rev E

PUMP RECOMMENDATION FOR COPPER-FIN II 0502-0752 POOL HEATER

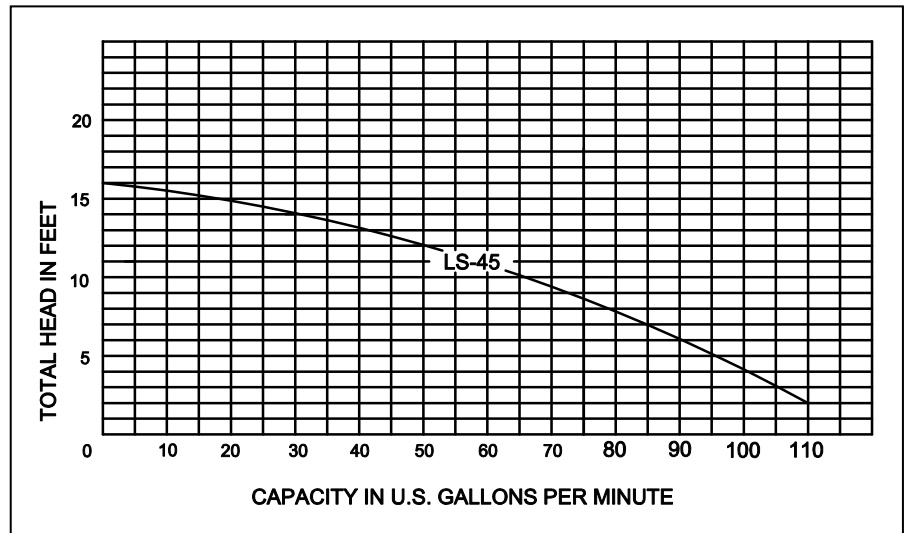
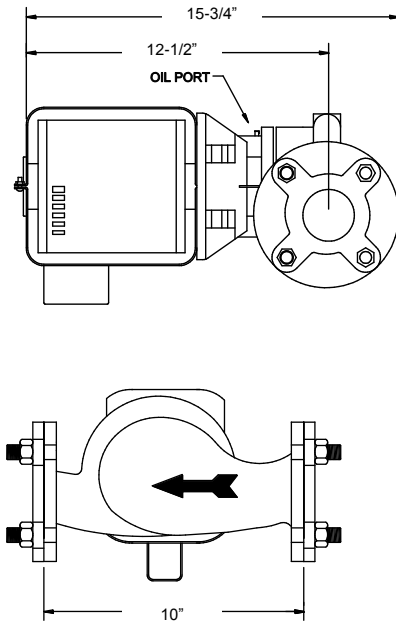
Pump Specifications

Part No.	HorsePower	Flanges	Valute Material	Flange Material	Vendor	Vendor Product Series	Orientation
ARM3044PABTE	1/4	2"	Bronze	Bronze	Armstrong	LS45	Horizontal

Installation Specifications

Pump	Recommended for Model Numbers	Maximum GPM	Based on Installation Type
ARM3044PABTE	Copper-Fin II Pool Htr, CP(N,L) 402-752	55 GPM	Single Pool Heater piped Primary/Secondary to Pool Loop
	Based on Minimum Pipe Diameter	Based on Connecting piping	
	2"	Maximum 45 feet straight pipe with 6-Elbows, 2-Unions and 2-Ball Valves	

IMPORTANT: Read the Copper-fin II 500-2070 Pool Installation and Operation Manual. If the planned system exceeds the pump capacity in flow and/or head see "Pump Curves-All Pumps" for alternate pumps and pump curves.



Lochinvar, LLC
 300 Maddox Simpson Parkway
 Lebanon, Tennessee 37090
 P: 615.889.8900 / F: 615.547.1000
www.Lochinvar.com



Lochinvar®

PUMP
Recommendation

PUMP-Rec-08 Rev E

PUMP RECOMMENDATION FOR COPPER-FIN II 0992-1442 POOL HEATER

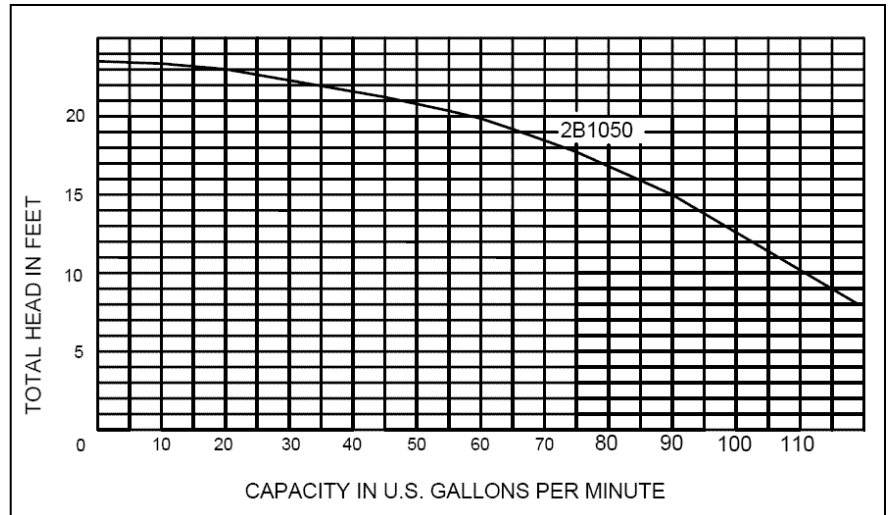
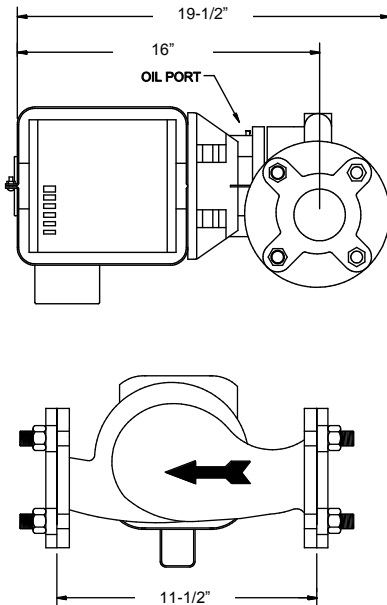
Pump Specifications

Part No.	HorsePower	Flanges	Valute Material	Flange Material	Vendor	Vendor Product Series	Orientation
ARM3024PABTE	1/2	2-1/2"	Brass	Brass	Armstrong	2B1050	Vertical

Installation Specifications

Pump	Recommended for Model Numbers	Maximum GPM	Based on Installation Type
ARM3024PABTE	Copper-Fin II Pool Htr, CP(N,L) 0992-1442	90 GPM	Single Pool Heater piped Primary/Secondary to Pool Loop
	Based on Minimum Pipe Diameter 2-1/2"	Based on Connecting piping Maximum 45 feet straight pipe with 6-Elbows, 2-Unions and 2-Ball Valves	

IMPORTANT: Read the Copper-fin II 500-2070 Pool Installation and Operation Manual. If the planned system exceeds the pump capacity in flow and/or head see "Pump Curves-All Pumps" for alternate pumps and pump curves.



Lochinvar®
HIGH EFFICIENCY BOILERS & WATER HEATERS

Lochinvar, LLC
300 Maddox Simpson Parkway
Lebanon, Tennessee 37090
P: 615.889.8900 / F: 615.547.1000
www.Lochinvar.com



Lochinvar®

PUMP Recommendation

PUMP-Rec-08 Rev E

PUMP RECOMMENDATION FOR COPPER-FIN II 1802-2072 POOL HEATER

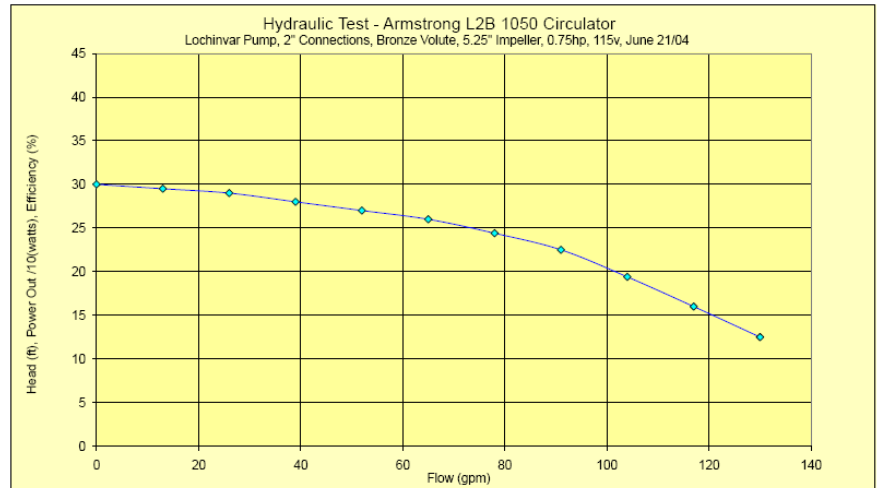
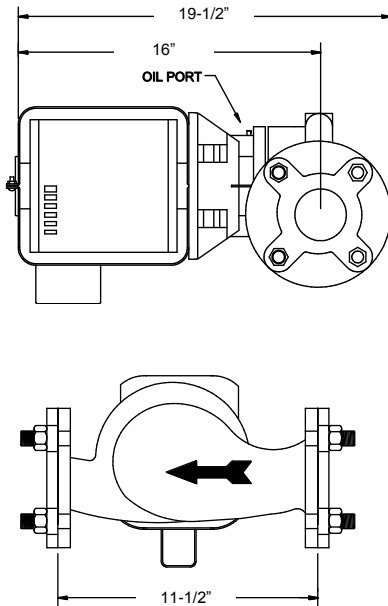
Pump Specifications

Part No.	HorsePower	Flanges	Valute Material	Flange Material	Vendor	Vendor Product Series	Orientation
ARM3072PABTE	3/4	2-1/2"	Bronze	Bronze	Armstrong	2B1050	Vertical

Installation Specifications

Pump	Recommended for Model Numbers	Maximum GPM	Based on Installation Type
ARM3072PABTE	Copper-fin Pool Htr, CP(N,L) 1802-2072	90 GPM	Single Pool Heater piped Primary/Secondary to Pool Loop
	Based on Minimum Pipe Diameter 2-1/2"	Based on Connecting piping Maximum 45 feet straight pipe with 6-Elbows, 2-Unions, 2-Ball Valves and 1-Cold Water Inlet Tee	

IMPORTANT: Read the Copper-fin II 500-2070 Pool Installation and Operation Manual. If the planned system exceeds the pump capacity in flow and/or head see "Pump Curves-All Pumps" for alternate pumps and pump curves.



Lochinvar, LLC
 300 Maddox Simpson Parkway
 Lebanon, Tennessee 37090
 P: 615.889.8900 / F: 615.547.1000
www.Lochinvar.com