



**PUMP
Recommendation**

PUMP-Rec-10 Rev B

**PUMP RECOMMENDATION FOR
EFFICIENCY-PLUS 150-300 WATER HEATER**

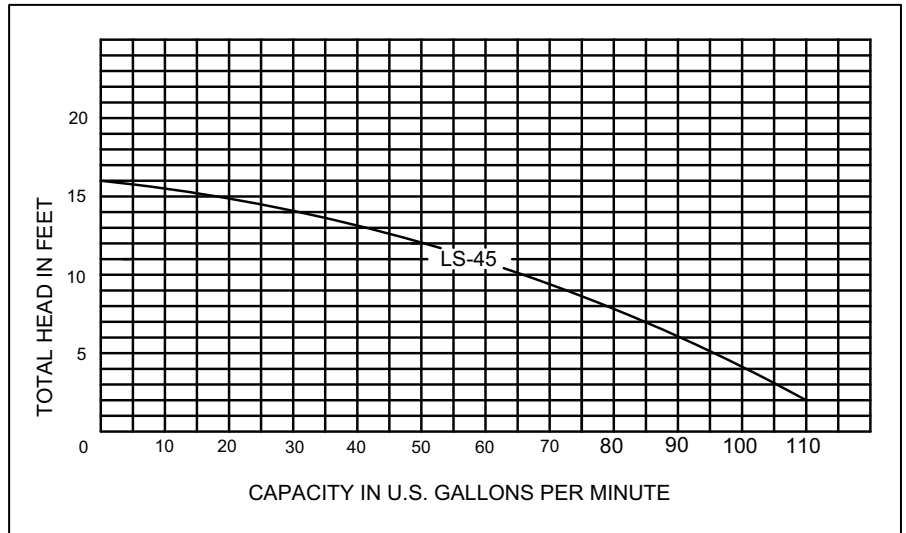
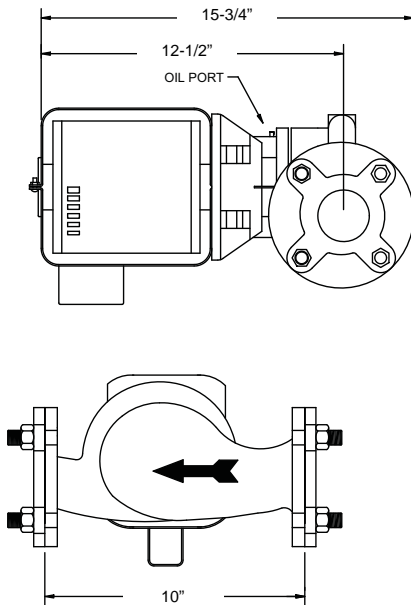
Pump Specifications

Part No.	HorsePower	Flanges	Valute Material	Flange Material	Vendor	Vendor Product Series	Orientation
ARM3044PAB	1/4	2"	Bronze	Bronze	Armstrong	LS45	Horizontal

Installation Specifications

Pump	Recommended for Model Numbers	Maximum GPM	Based on Installation Type
ARM3044PAB	Efficiency-Plus Wtr Htr, EW(N,L) 150-300	55 GPM	Single Water Heater piped to Single Storage Tank
	Based on Minimum Pipe Diameter 2"	Based on Connecting piping Maximum 45 feet straight pipe with 6-Elbows, 2-Unions, 2-Ball Valves and 1-Cold Water Inlet Tee	

IMPORTANT: Read the Efficiency-Plus 150-300 Installation and Operation Manual. If the planned system exceeds the pump capacity in flow and/or head see "Pump Curves-All Pumps" for alternate pumps and pump curves.



Lochinvar, LLC
300 Maddox Simpson Parkway
Lebanon, Tennessee 37090
P: 615-889-8900 / F: 615-547-1000
www.Lochinvar.com