



Lochinvar[®]
High Efficiency Water Heaters, Boilers and Pool Heaters

**PUMP
Recommendation**

PUMP-Rec-13 Rev C

**PUMP RECOMMENDATION FOR
KNIGHT 051-211 BOILER**

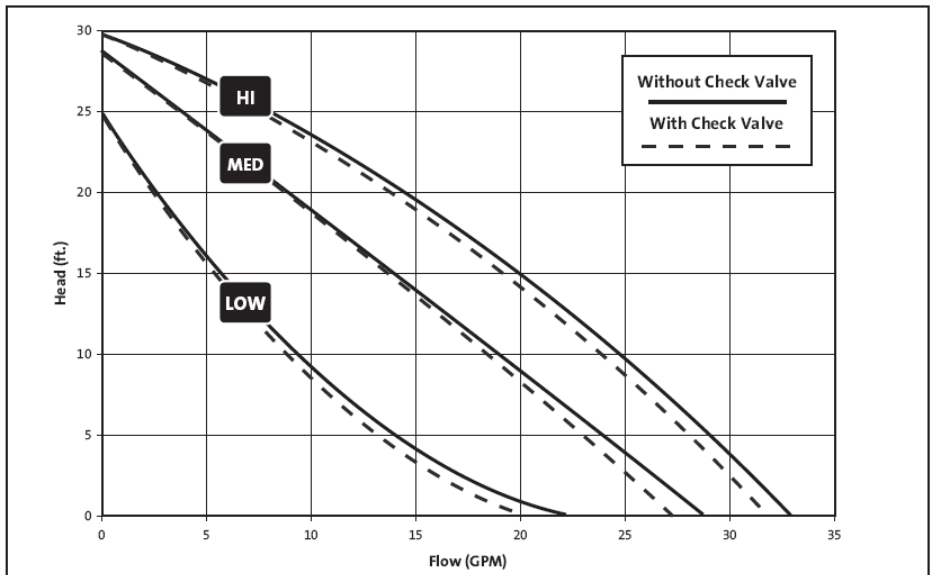
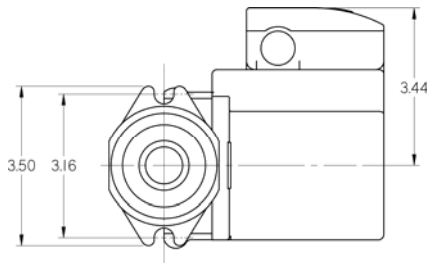
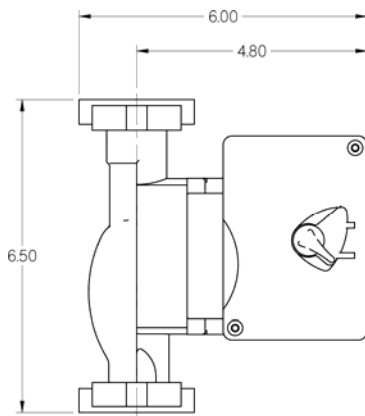
Pump Specifications

Part No.	HorsePower	Flanges	Valute Material	Flange Material	Vendor	Vendor Product Series	Orientation
PUM3020	1/6	1"	Cast Iron	Cast Iron	Grundfos	UP Series	Vertical

Installation Specifications

Specific Model Number	Maximum Flow Rate	Planned Temperature Rise	Planned Flow Rate	Total System Head Loss
	N/A			

IMPORTANT: Read the Knight 80-285 Installation and Operation Manual. If the planned system exceeds the pump capacity in flow and/or head see "Pump Curves-All Pumps" for alternate pumps and pump curves.



Lochinvar[®]
High Efficiency Water Heaters, Boilers and Pool Heaters

Lochinvar, LLC
300 Maddox Simpson Parkway
Lebanon, Tennessee 37090
P: 615-889-8900 / F: 615-547-1000
www.Lochinvar.com



**PUMP
Recommendation**

PUMP-Rec-13 Rev C

**PUMP RECOMMENDATION FOR
KNIGHT 286 BOILER**

Pump Specifications

Part No.	HorsePower	Flanges	Valute Material	Flange Material	Vendor	Vendor Product Series	Orientation
PUM3021	1/6	1-1/4"	Cast Iron	Cast Iron	Grundfos	UP Series	Vertical

Installation Specifications

Specific Model Number	Maximum Flow Rate	Planned Temperature Rise	Planned Flow Rate	Total System Head Loss
	N/A			

IMPORTANT: Read the Knight 80-285 Installation and Operation Manual. If the planned system exceeds the pump capacity in flow and/or head see "Pump Curves-All Pumps" for alternate pumps and pump curves.

