



**Lochinvar**<sup>®</sup>  
HIGH EFFICIENCY BOILERS & WATER HEATERS

**PUMP  
Recommendation**

**PUMP-Rec-15 Rev D**

**PUMP RECOMMENDATION FOR  
POWER-FIN 0502-1302 BOILER**

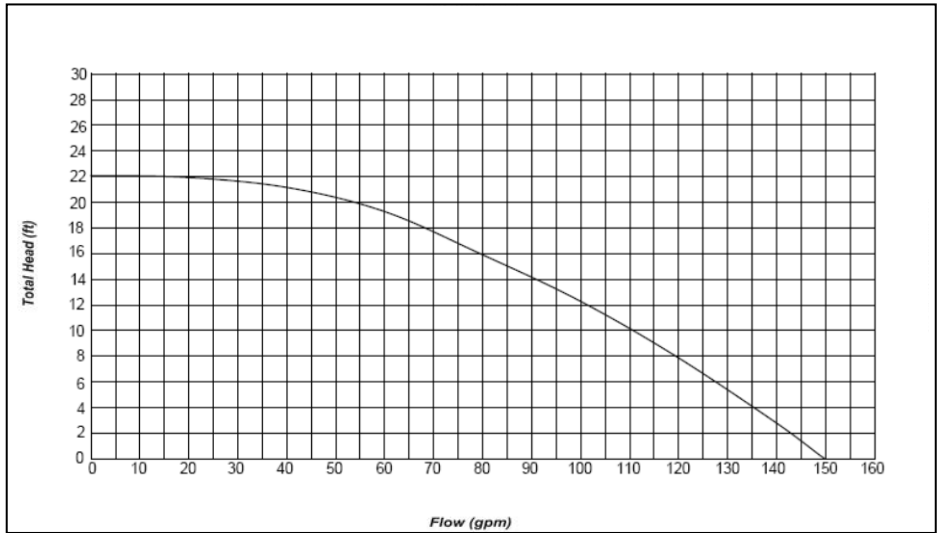
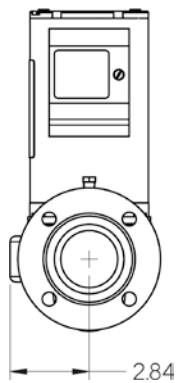
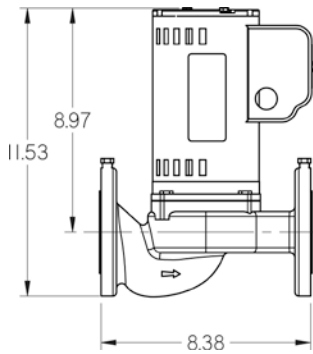
**Pump Specifications**

Part No.	HorsePower	Flanges	Valute Material	Flange Material	Vendor	Vendor Product Series	Orientation
PUM30001	1/2	2"	Cast Iron	Cast Iron	TACO	2400-70-2	Horizontal

**Installation Specifications**

Specific Model Number	Maximum Flow Rate	Planned Temperature Rise	Planned Flow Rate	Total System Head Loss
	75 GPM			

**IMPORTANT:** Read the Power-fin 0502-2001 Installation and Operation Manual. If the planned system exceeds the pump capacity in flow and/or head see Pump Curves-01 for alternate pumps and pump curves.



**Lochinvar**<sup>®</sup>  
HIGH EFFICIENCY BOILERS & WATER HEATERS

Lochinvar, LLC  
300 Maddox Simpson Parkway  
Lebanon, Tennessee 37090  
P: 615.889.8900 / F: 615.547.1000  
Lochinvar.com



**Lochinvar**<sup>®</sup>  
HIGH EFFICIENCY BOILERS & WATER HEATERS

**PUMP  
Recommendation**

**PUMP-Rec-15 Rev D**

**PUMP RECOMMENDATION FOR  
POWER-FIN 1501-2001 BOILER**

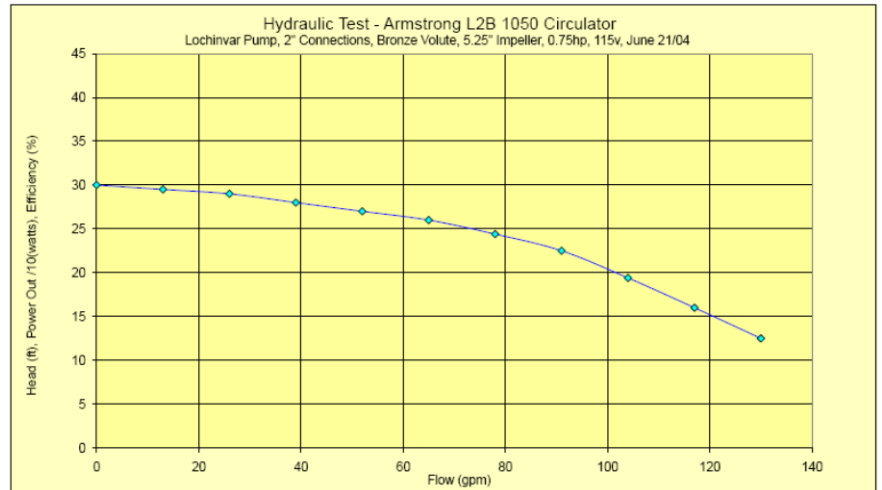
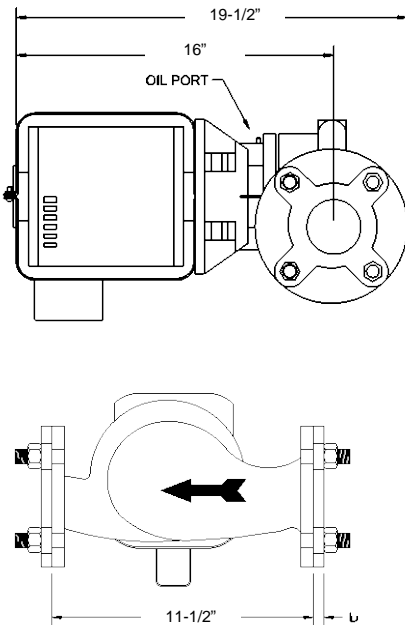
**Pump Specifications**

Part No.	HorsePower	Flanges	Valute Material	Flange Material	Vendor	Vendor Product Series	Orientation
ARM3077PBF	3/4	2-1/2"	Cast Iron	Cast Iron	Armstrong	2B1050	Vertical

**Installation Specifications**

Specific Model Number	Maximum Flow Rate	Planned Temperature Rise	Planned Flow Rate	Total System Head Loss
	90 GPM			

**IMPORTANT:** Read the Power-fin 0502-2001 Installation and Operation Manual. If the planned system exceeds the pump capacity in flow and/or head see "Pump Curves-All Pumps" for alternate pumps and pump curves.



**Lochinvar**<sup>®</sup>  
HIGH EFFICIENCY BOILERS & WATER HEATERS

Lochinvar, LLC  
300 Maddox Simpson Parkway  
Lebanon, Tennessee 37090  
P: 615.889.8900 / F: 615.547.1000  
Lochinvar.com