

PUMP RECOMMENDATION FOR POWER-FIN 0502-1302 WATER HEATER

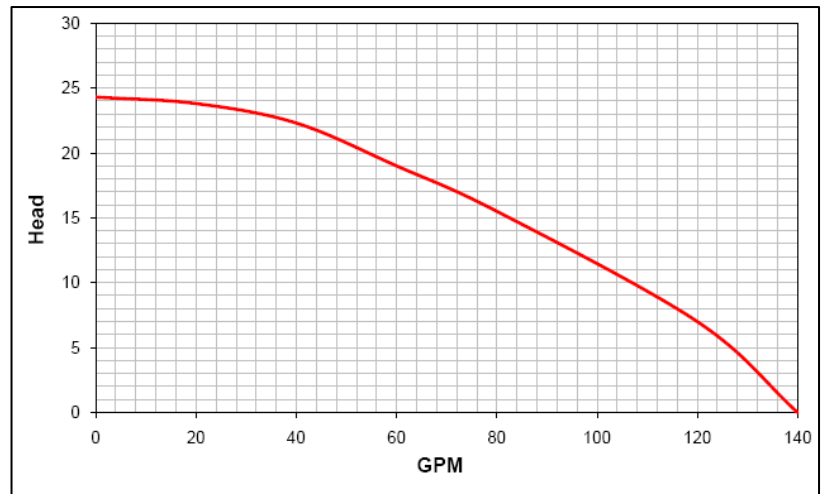
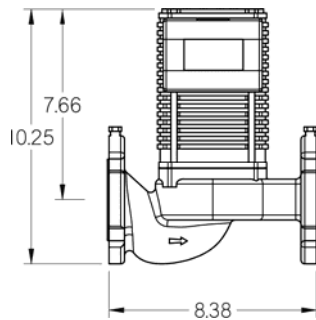
Pump Specifications

Part No.	HorsePower	Flanges	Valute Material	Flange Material	Vendor	Vendor Product Series	Orientation
PUM3013	2/5	2"	Brass	Brass	Armstrong	E Series	Horizontal

Installation Specifications

Pump	Recommended for Model Numbers	Maximum GPM	Based on Installation Type
PUM3013	Power-fin, PF(N,L) 0502-1302	75 GPM	Single Water Heater piped to Single Storage Tank
	Based on Minimum Pipe Diameter	Based on Connecting piping	
	2-1/2"	Maximum 45 feet straight pipe with 6-Elbows, 2-Unions, 2-Ball Valves and 1-Cold Water Inlet Tee	

IMPORTANT: Read the Power-fin 0502-2001 Installation and Operation Manual. If the planned system exceeds the pump capacity in flow and/or head see "Pump Curves-All Pumps" for alternate pumps and pump curves.





Lochinvar
High Efficiency Water Heaters, Boilers and Pool Heaters

**PUMP
Recommendation**

PUMP-Rec-16 Rev C

**PUMP RECOMMENDATION FOR
POWER-FIN 1501-2001 WATER HEATER**

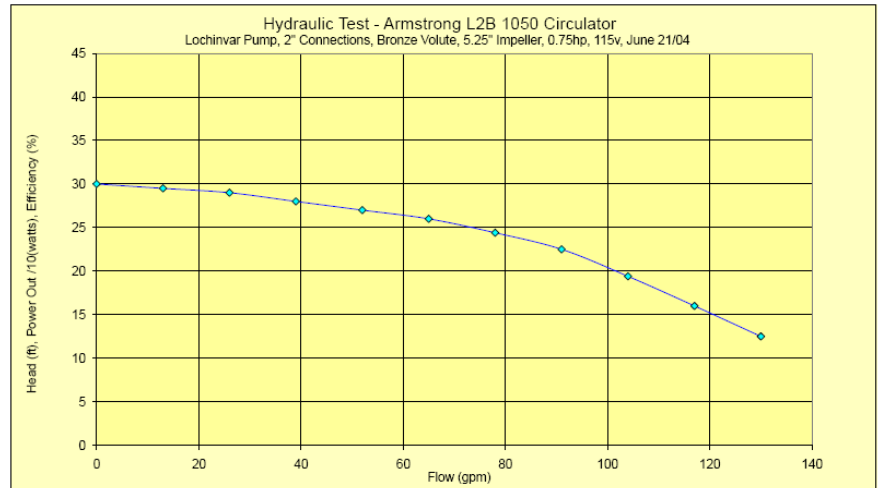
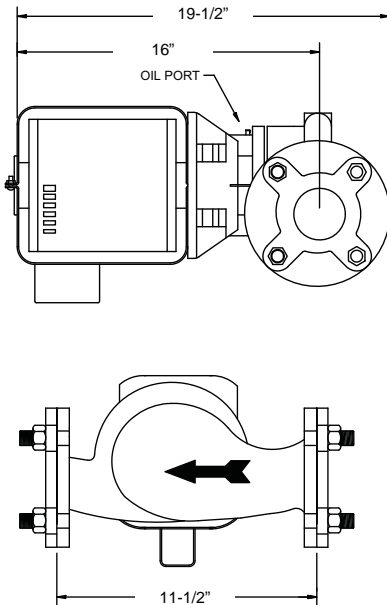
Pump Specifications

Part No.	HorsePower	Flanges	Valute Material	Flange Material	Vendor	Vendor Product Series	Orientation
ARM3077PAB	3/4	2-1/2"	Bronze	Bronze	Armstrong	2B1050	Vertical

Installation Specifications

Pump	Recommended for Model Numbers	Maximum GPM	Based on Installation Type
ARM3077PAB	Power-Fin Wtr Htr, PF(N,L) 1501-2001	90 GPM	Single Water Heater piped to a Single Storage Tank
	Based on Minimum Pipe Diameter	Based on Connecting piping	
	2-1/2"	Maximum 45 feet straight pipe with 6-Elbows, 2-Unions, 2-Ball Valves and 1-Cold Water Inlet Tee	

IMPORTANT: Read the Power-fin 0502-2001 Installation and Operation Manual. If the planned system exceeds the pump capacity in flow and/or head see "Pump Curves-All Pumps" for alternate pumps and pump curves.



Lochinvar
High Efficiency Water Heaters, Boilers and Pool Heaters

Lochinvar, LLC
300 Maddox Simpson Parkway
Lebanon, Tennessee 37090
P: 615-889-8900 / F: 615-547-1000
www.Lochinvar.com